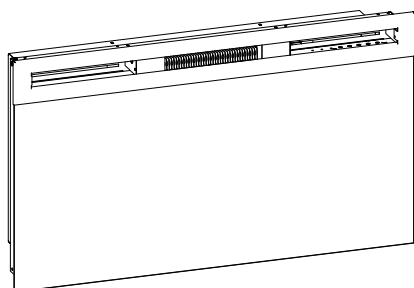


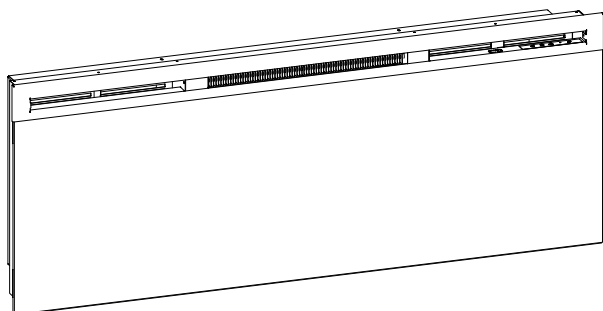
CDimplex



34" Models

34" Prism (BLF3451EU-E)

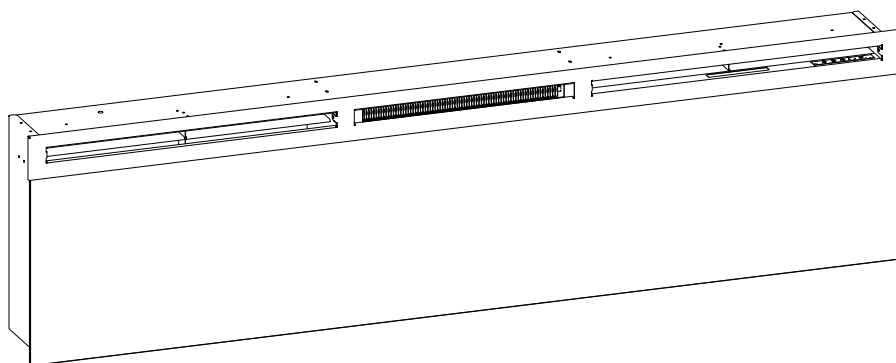
Wickson (BLF34EU-E)



50" Models

50" Prism (BLF5051EU-E)

Synergy (BLF50EU-E)



74" Models

74" Prism (BLF7451EU-E)

Galveston (BLF74EU-E)

EN

DE

NL

FR

NO


IT

PL

ES

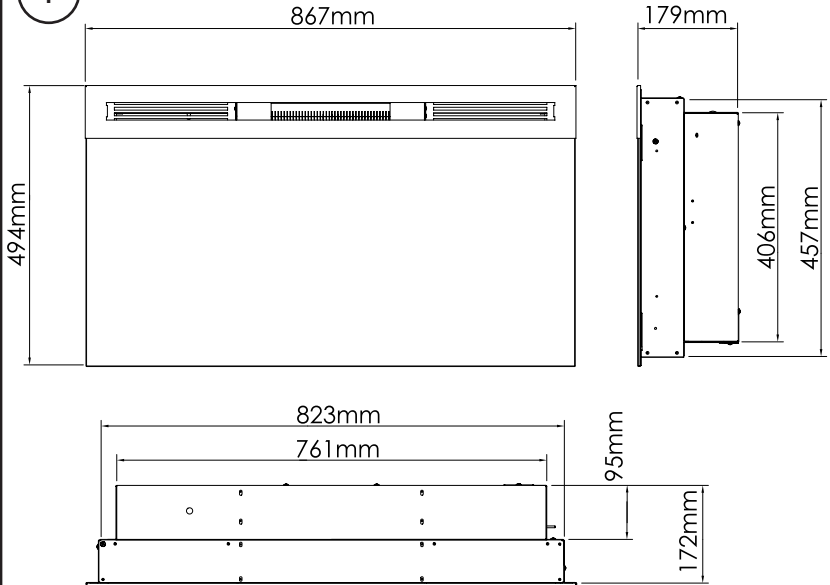
RO

EN : This product is only suitable for well insulated rooms or occasional use. DE : Dieses Produkt ist nur für gut isolierte Bereiche oder gelegentliche Verwendung geeignet. FR : Ce produit convient uniquement à des endroits bien isolés ou pour un usage occasionnel. IT : Questo prodotto è adatto solo per spazi ben isolati o per uso occasionale. ES : Este producto sólo es adecuado para espacios bien aislados o un uso ocasional. NL : Dit product is uitsluitend geschikt voor goed geïsoleerde ruimten of voor sporadisch gebruik. PL : Produkt ten jest odpowiedni wyłącznie do dobrze odizolowanych miejsc lub do okazjonalnego użytku. NO : Dette produktet egner seg kun for godt isolerte rom eller sporadisk bruk. RO : Acest produs este adecvat exclusiv spațiilor bine ventilate sau utilizării ocazionale. CZ : Tento výrobek je vhodný pouze do dobře izolovaných prostor nebo k příležitostnému použití. DK : Dette produkt er kun egnet til velisolerede rum eller lejlighedsvis brug. PT : Este produto somente é adequado para espaços bem isolados ou uso ocasional. SE : Denna produkt är endast avsedd för välisolerade utrymmen eller tillfällig användning. FI : Tämä tuote soveltuu ainoastaan hyvin eristettyihin tiloihin tai satunnaiseen käyttöön. SK : Tento výrobok je vhodný len pre dobre izolované priestory alebo na občasné použitie. SI : Ta izdelek je primeren le za dobro izolirane prostore ali za občasno uporabo. HR : Ovaj proizvod je pogodan samo za dobro izolirane prostore ili povremenu upotrebu. HU : Ez a termék csak jól szigetelt terekhez vagy eseti használatra alkalmas. SV : Denna produkt är endast lämplig för användning i väl isolerade utrymmen eller enstaka användning.

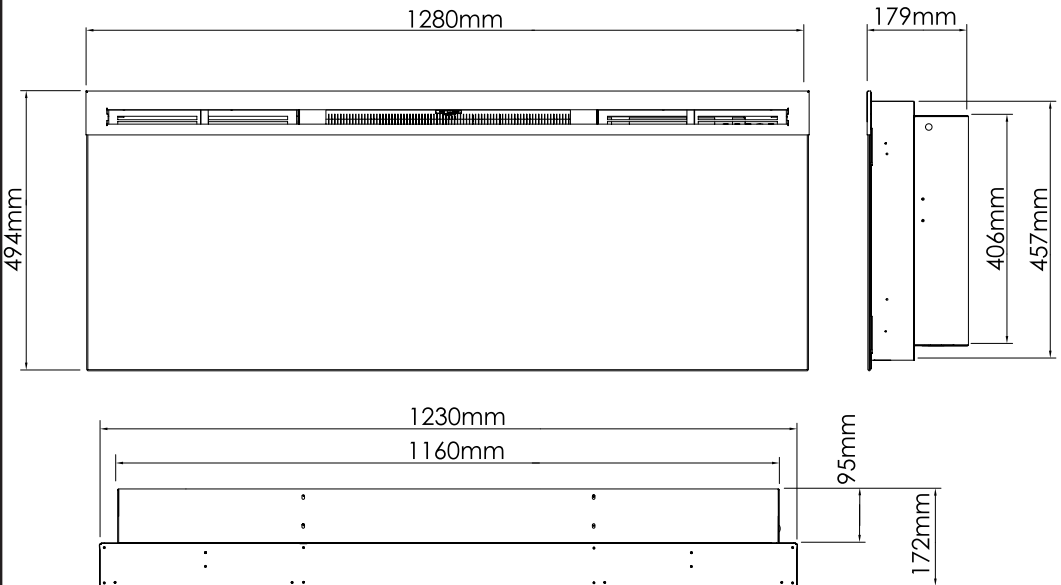
 The product complies with the European Safety Standards EN60335-2-30 and the European Standard Electromagnetic Compatibility (EMC) EN55014, EN60555-2 and EN60555-3. These cover the essential requirements of EEC Directives 2006/95/EC and 2004/108/EC

1

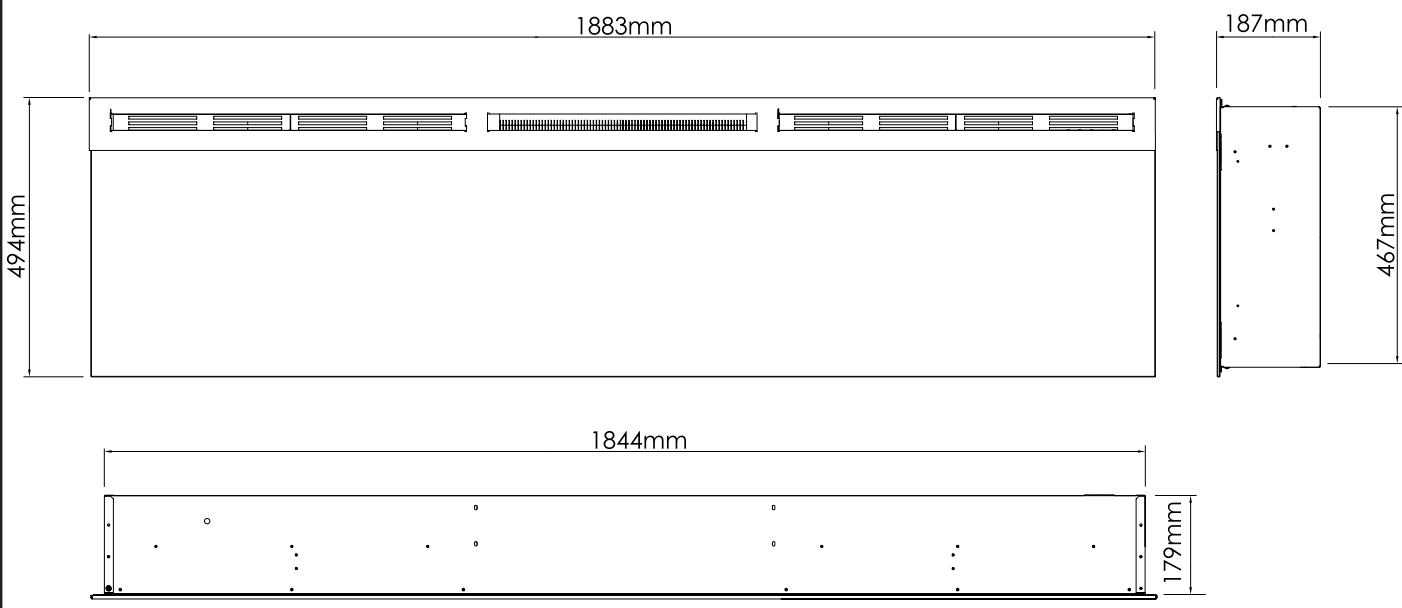
34" Models: 34" Prism (BLF3451EU-E) / Wickson (BLF34EU-E)



50" Models: 50" Prism (BLF5051EU-E) / Synergy (BLF50EU-E)

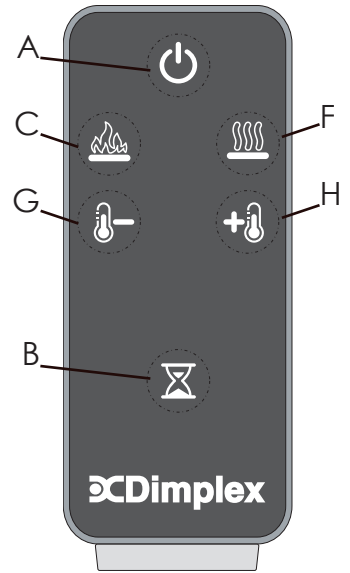
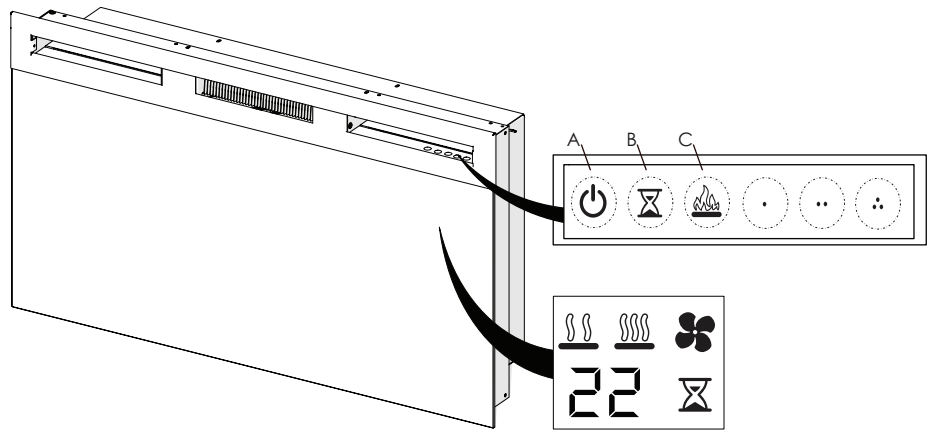


74" Models: 74" Prism (BLF7451EU-E) / Galveston (BLF74EU-E)



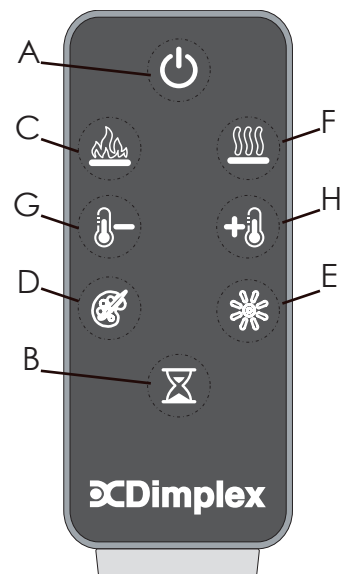
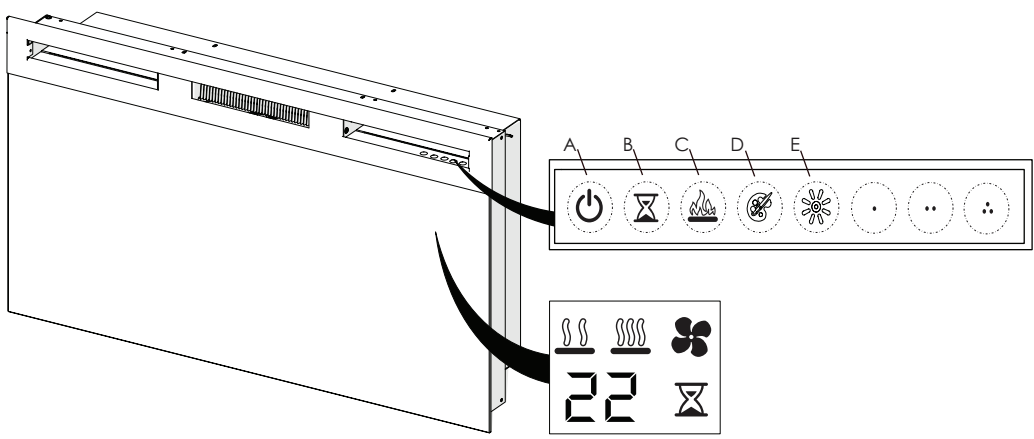
2 BLF:

Wickson (BLF34EU-E)
 Synergy (BLF50EU-E)
 Galveston (BLF74EU-E)

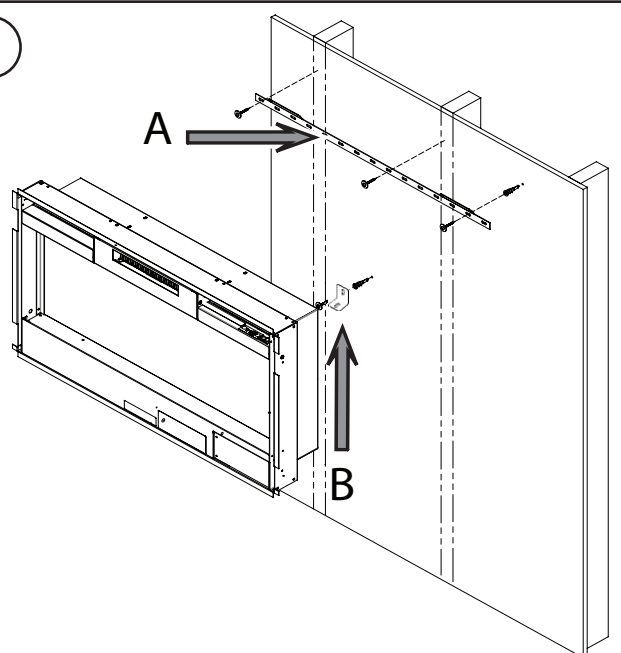


3 PRISM:

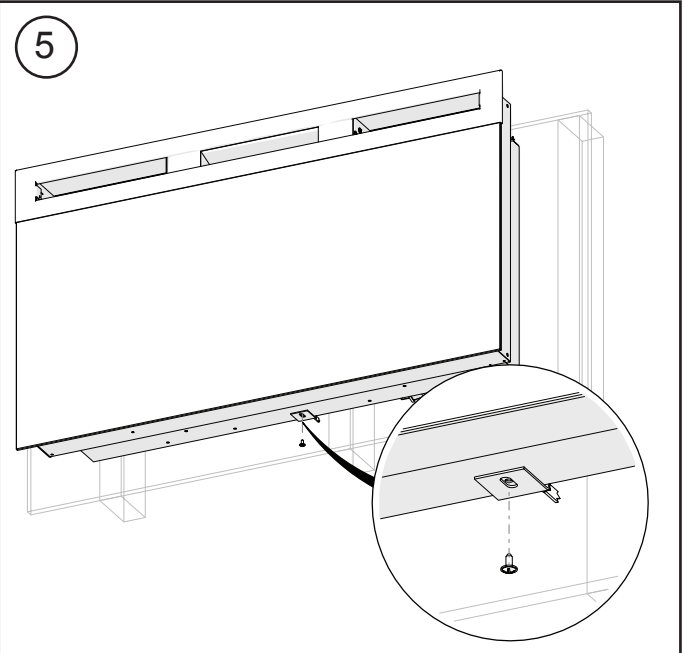
34" Prism (BLF3451EU-E)
 50" Prism (BLF5051EU-E)
 74" Prism (BLF7451EU-E)

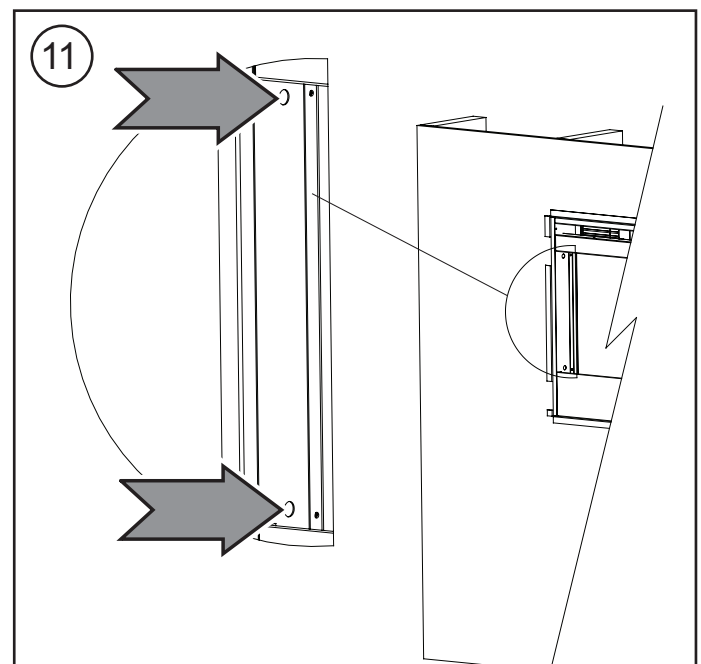
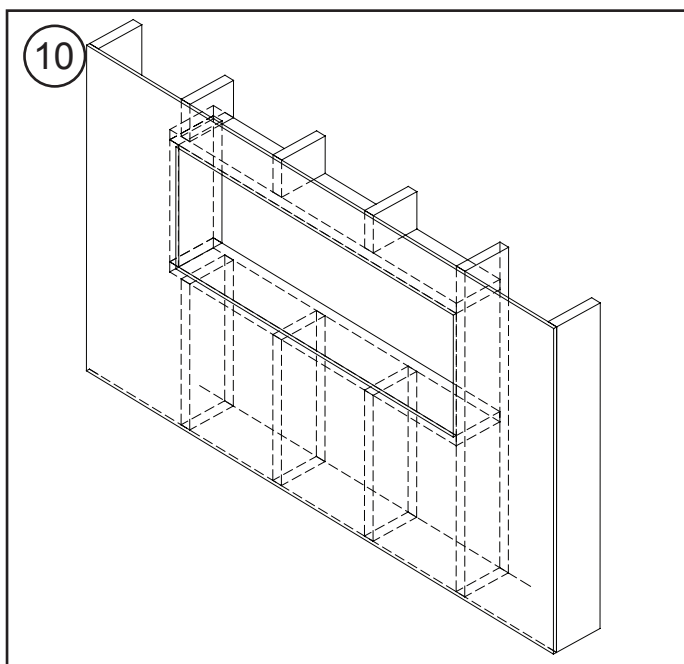
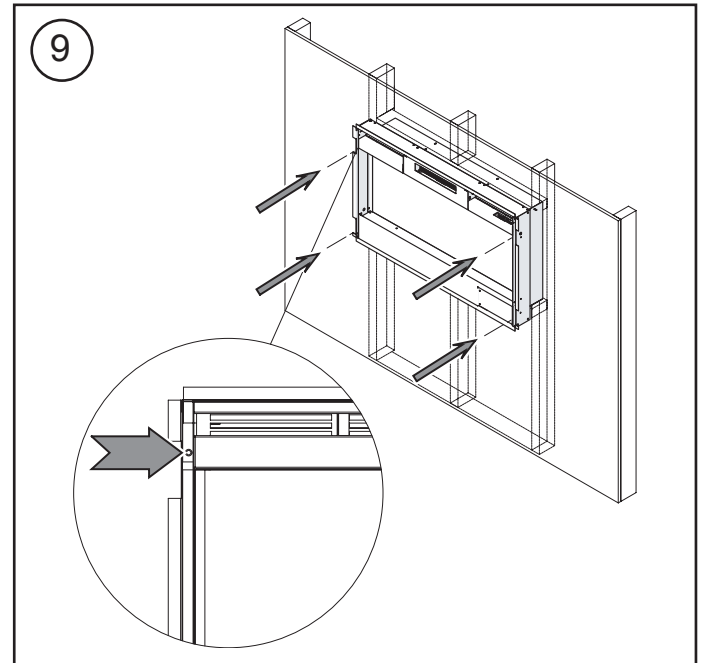
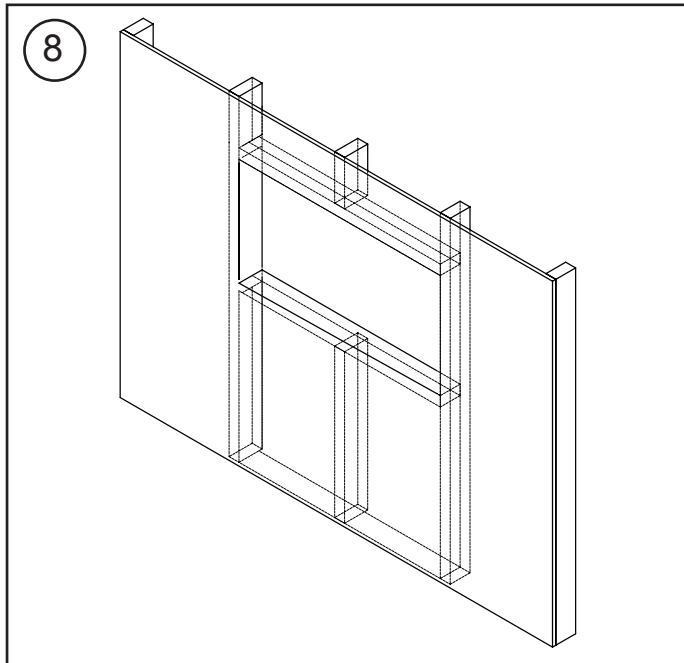
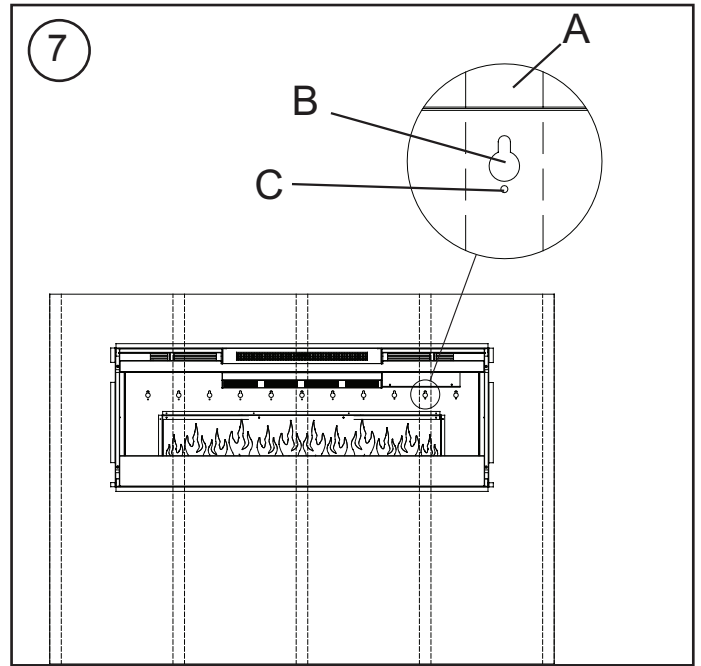
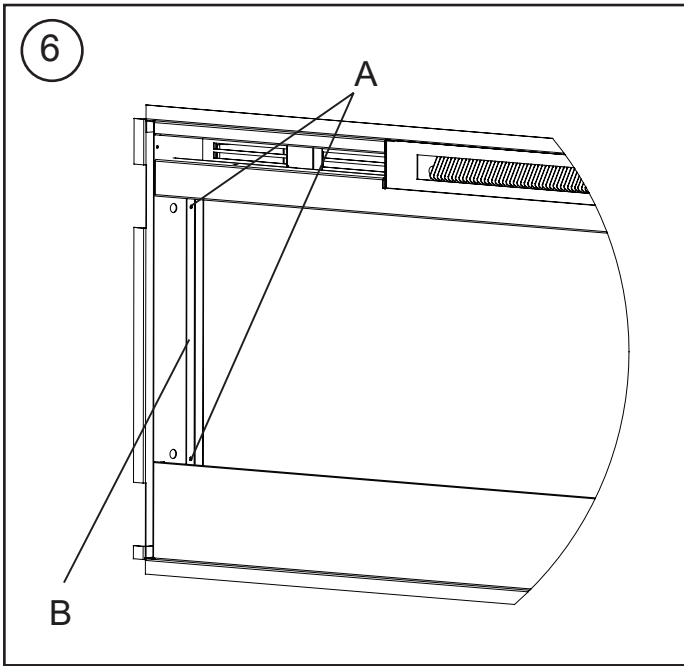


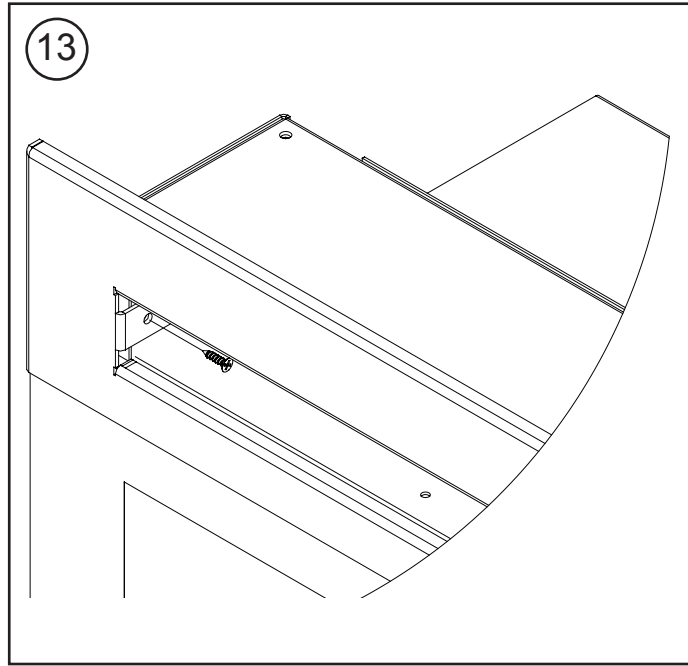
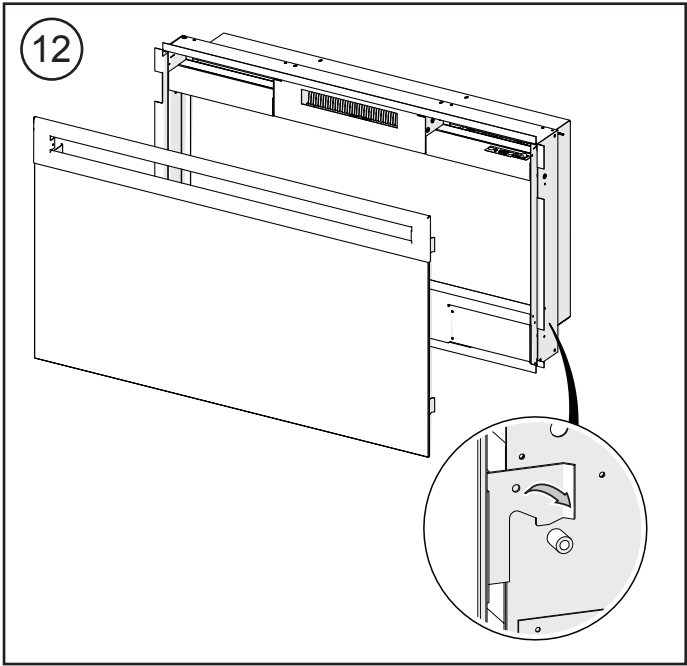
4



5







Important Safety Advice

When using electrical appliances, basic precautions should be followed to reduce the risk of fire, electric shock, and injury to persons, including the following: If the appliance is damaged, check immediately with the supplier before installation and operation.

Do not use this appliance in the immediate surroundings of a bath, shower or swimming pool.

Do not use outdoors.

This appliance must not be located immediately above or below a fixed socket outlet or connection box.

⚠ WARNING: The appliance carries the Warning Symbol indicating that it must not be covered or has a Do not cover label. Do not cover or obstruct in any way the heat outlet grille located above the flame window on the appliance. Overheating will result if the appliance is accidentally covered. Do not place material or garments on the appliance, or obstruct the air circulation around the appliance, for instance by curtains or furniture, as this could cause overheating and a fire risk.

In the event of a fault unplug the heater. Unplug the appliance when not required for long periods. The supply cord must be placed on the right hand side of the heater away from the heat outlet underneath the appliance.

This appliance can be used by children aged from 8 years and above and persons with reduced physical, sensory or mental capabilities or lack of experience and knowledge if they have been given supervision or instruction concerning use of the appliance in a safe way and understand the hazards involved. Children shall not play with the appliance. Cleaning and user maintenance shall not be made by Children without supervision. Children of less than 3 years should be kept away unless continuously supervised. Children aged from 3 years and less than 8 years shall only switch on/off the appliance provided that it has been placed or installed in its intended normal operating position and they have been given supervision or instruction concerning use of the appliance in a safe way and understanding the hazards involved. Children aged from 3 years and less than 8 years shall not plug in, regulate and clean the appliance or perform user maintenance.

The appliance must be positioned so that the plug is accessible.

Although this appliance complies with safety standards, we do not recommend its use on deep pile carpets or on long hair type of rugs.

If the supply cord is damaged it must be replaced by the manufacturer or service agent or similarly qualified person in order to avoid a hazard.

CAUTION: In order to avoid a hazard due to inadvertent resetting of the thermal cut-out, this appliance must not be supplied through an external switching device, such as a timer, or connected to a circuit that is regularly switched on and off by the utility.

CAUTION - Some parts of this product can become very hot and cause burns. Particular attention has to be given where children and vulnerable people are present.

Technical Information

Model No: BLF34EU-E, BLF3451EU-E, BLF50EU-E, BLF50UK-E, BLF5051EU-E, BLF74EU-E, BLF7451EU-E

Heat Output 230V 240V

Nominal Heat Output	P_{Nom}	1.1	-	1.2	kW
---------------------	-----------	-----	---	-----	----

Minimum Heat Output	P_{min}	0.6	-	0.6	kW
---------------------	-----------	-----	---	-----	----

Maximum Continuous Heat Output	$P_{max,c}$	1.1	-	1.2	kW
--------------------------------	-------------	-----	---	-----	----

Auxiliary Electricity Consumption

In Standby mode	eI_{SB}	0.47	-	0.49	W
-----------------	-----------	------	---	------	---

with electronic room temperature control

General

Unpack the heater carefully and retain the packaging for possible future use, in the event of moving or returning the fire to your supplier.

The fire incorporates a flame effect, which can be used with or without heating, so that the comforting effect may be enjoyed at any time of the year. Using the flame effect on its own only requires little electricity.

Before connecting the heater check that the supply voltage is the same as that stated on the heater.

Please note: Used in an environment where background noise is very low, it may be possible to hear a sound which is related to the operation of the flame effect. This is normal and should not be a cause for concern.

Electrical Connection

⚠ WARNING: THIS APPLIANCE MUST BE EARTHED

This heater must be used on an AC ~ supply only and the voltage marked on the heater must correspond to the supply voltage.

Before switching on, please read the safety warnings and operating instructions.

Fixed Wiring

In some jurisdictions this appliance is supplied without a plug this is to comply with the local regulations. In such instances this appliance must be installed by a suitably qualified installer and the means for disconnection must be incorporated in the fixed wiring in accordance with the local wiring rules.

Controls: See Fig. 2 & 3

	Icon	Display	Function	Description
A		-	Power / Standby	Press once to turn the product 'ON'. Press a second time to put the product into 'STANDBY' (When returning from 'STANDBY' mode the product will return to previous settings unless the product has been plugged out, in which case it will reset to factory settings)
B			Sleep Timer	Press multiple times to change the 'SLEEP TIMER' in 0.5 hr increments from 0.5 hr to 8.0 hr before turning off. The remaining time on the 'SLEEP TIMER' displays. (This icon is Green in Colour)
C		Flame Effect		'FLAME EFFECT' button cycles the unit sequentially through the 4 setting, LOW FLAME, HIGH FLAME, DEMO MODE and OFF.
		F1	Low Flame	This setting will run the flame effect at a low brightness level. (The display will show F1)
		F2	High Flame	This setting will run the flame effect at a high brightness level. (The display will show F2)
		FP	Demo Mode	This setting will slowly pulse the flame effect between low and high brightness. (The display will show FP)
		-	Off	This will turn the flame effect off. If the heater is running, the display will activate and remain active to read the set temperature and show if the product is on LOW HEAT/ HIGH HEAT/COOL BLOW.
D		Colour Theme		'Colour Themes' are setting which change the colour of the fuel bed there are eight different themes
			Theme 1	Theme 1 is a 'Demo Mode' this setting will scroll through all of the colour settings you can 'Pause' this demo mode by pressing the 'Brightness Button' / * in which case the display will read .P to 'Unpause' press the 'Brightness Button' / * in which case display will read .U
		2-8	Theme 2-8	Themes 2-8 are preset colours that remain static.
E		-	Brightness	This button switches themes 2-8 between full brightness and half brightness. This button also interacts with the product when set on theme as previously described above
F		Heat		'HEAT' button cycles the unit sequentially through the 4 settings: LOW HEAT, HIGH HEAT, COOL BLOW and OFF. The heat setting will be indicated by an icon in the floating display see Fig. 2. When the flame effect is 'ON' the floating display will turn off after 5 seconds, however if the heater is being used independantly of the flame effect. The low heat or high heat icon will appear continuously in the floating display.
			Low Heat	This setting will run the heater at 'LOW HEAT' this setting will be indicated by the 'LOW HEAT' icon and the letters 'LO' appearing in the display. (This icon is Orange in Colour)
			High Heat	This icon in the floating display indicates 'HIGH HEAT' this setting will be indicated by the 'HIGH HEAT' icon and the letters 'HI' appearing in the display. (This icon is Red in Colour)
			Cool Blow	This icon in the floating display indicates 'COOL BLOW' this setting will be indicated by the 'COOL BLOW' icon and the letters 'CB' appearing in the display. (This icon is Blue in Colour)
		-	Off	This switches the heater and blower 'OFF', no icon will be displayed in the floating display. Note the blower will run for 10-20 seconds after being turned off this is to ensure the product cools down safely.
G		-	Temp Down	Press multiple times to lower the heater temperature in 1°C increments. The lowest temperature that can be set 5°C. Note: Once you stop at your desired temperature this will flash 3 times, then the display will show the room temperature as detected by the product. If the set temperature is lower than the detected room temperature the heater will not activate.
H		-	Temp Up	Press multiple times to increase the heater temperature in 1°C increments. The highest temperature that can be set is 37°C. Note: Once you stop at your desired temperature this will flash 3 times, then the display will show the room temperature as detected by the product. If the set temperature is lower than the detected room temperature the heater will not activate.

User Modes:

Mode Name /Discription	Action (Actions cannot be input by remote control)
Change Celsius (° C) to Fahrenheit (° F)	Press both 3 Dot Button (•••) and 2 Dot (••) on the unit and hold until beep is heard and display flashes. (To revert back to Celsius repeat this action)
Disable/Enable Heat Options	Hold both 1 Dot Button (•) and Flame Button (), on the unit, for 2 seconds, when the heater has been disabled the display will read "--" and beep. To enable heat repeat this action.

Fitting Product - see Fig. 4 - 11

There are three possible mounting methods

1. Surface Mounting
2. Partial Recessed (Not on 74" Models)
3. Flush Mount

Surface Mounting (34" & 74" Models)- see Fig. 4 & 5

⚠ CAUTION: Two people will be required for various steps of this procedure.

⚠ WARNING: Ensure that the circuit on which the fireplace is to be installed has the power cut off at the service panel until installation is complete.

1. Determine the mounting location of the unit so that the wall-mounting bracket can be installed into a minimum of 2 wall studs for the 34" Models and 4 wall studs for the 74" Models

! NOTE: It is recommended that the mounting bracket be installed 56 in. (142 cm) off of the ground to maintain an optimized viewing angle of the flame.

2. Hold the wall mounting bracket, with the bubble level on the top, on the wall so that the bubble on the level is centered between the two black lines.
3. Mark the 4 mounting screw locations, on the wall, ensuring that the wall bracket stays level (Fig. 4) marked (A).
4. In locations where the screws are being installed only into drywall, install the supplied wall anchors before installing the screw (pre-drill if required).
5. Secure the wall bracket to the wall using the supplied 1 ½ in. (3.8 cm) mounting screws and washers into the wall and/or wall anchors.
6. Install the bottom support bracket to the wall centered with the wall mounting bracket, using the appropriate mounting hardware, 13 ¾" (350 mm) below the wall mounting bracket (Fig. 4) marked (B).
7. Remove the center screw from the bottom of the fireplace. (Fig. 5)
8. Hang the fireplace from the bracket.
9. Install the previously removed screw through the bottom support bracket into the fireplace.
10. Refer to Front Glass Installation section for final installation procedures.

Surface Mounting (50" Models) - see Fig. 6 & 7

⚠ CAUTION: Two people may be required for various steps of this procedure.

1. Choose a location which has a minimum of two wall studs available for mounting.
2. Choose your method of supplying power to the unit:
 - Plug in to an existing outlet or install an outlet nearby.
 - Hard wire the fireplace.

⚠ WARNING: Do not attempt to wire your own new outlets or circuits. To reduce the risk of fire, electric shock or injury to persons, always use a licensed electrician.

⚠ WARNING: Ensure that the circuit on which the fireplace is to be installed has the power cut off at the service panel until installation is complete.

3. Remove the partially reflective glass from the fireplace:
 - Lay fireplace on its back.

- Remove two Phillips screws from each of the two glass brackets (Fig. 6) marked (A).
- Remove glass brackets (Fig. 6) marked (B).
- With one hand keeping pressure on the partially reflective glass, tilt the fireplace upright and slightly forward to allow the partially reflective glass to fall out of the inside framing.

⚠ CAUTION: Partially reflective glass is not tempered. Do not bump or drop the partially reflective glass to avoid breakage and personal injury.

- Remove partially reflective glass from fireplace.
4. Position the fireplace on a wall in the position where it will be mounted (Fig. 7). Use a bubble level (one is supplied) to ensure that fireplace is level on the wall.
 5. Ensuring that at least two key-holes line up with a wall stud (key-holes are spaced at 4 in. (10.2 cm) centers) (Fig. 7) marked (A), mark the location of four screw locations on the wall (through key-holes).
 6. Remove fireplace from wall and store in a safe place away from traffic.
 7. Where marked screw locations do not line up with a wall stud, insert (screw in) one of the two supplied wall anchors (pre-drill if required). Repeat if only two screws line up with a wall stud.
 8. Screw all four supplied #8, 1 ½ in. (3.8 cm) square head mounting screws and washers into the wall and/or wall anchors leaving ¼ in. (6.5 mm) of thread.
 9. Align chosen key-holes with screws and hang fireplace on the wall. Screw heads and washers will fit through key-holes and fireplace will slide down into place (screws will slide into narrow part of key-holes).
 10. Tighten all four mounting screws down on fireplace chassis.
 11. Screw the two supplied #8 square head screws through two of the permanent mounting holes (Fig. 7) marked (C) which align with a wall stud.
 12. Carefully replace and install partially reflective glass and glass brackets using screws from step 1.
 13. Refer to Front Glass Installation section for final installation procedures.

Partial Recessed (Not possible on 74" Models)- see Fig. 8 & 9

⚠ CAUTION: Two people may be required for various steps of this procedure.

1. Prepare a wall with a framed opening for the correct model (Fig. 8)
 - 34" Models: 30 ½ in. (77.5 cm) wide x 16 ½ in. (42 cm) high
 - 50" Models: 46 ½ in. (118.1 cm) wide x 16 ½ in. (42 cm) high

! NOTE: The sizing has allowed for ¼ in. (6.4 mm) around the fireplace insert for ease of installation. This fireplace does not require any additional venting.

2. Choose your method of supplying power to the unit:
 - Plug in (you may run the power cord out of the framed wall opening to an existing outlet or install an outlet on a nearby wall stud within the wall).
 - Hard wire the fireplace.

⚠ WARNING: Do not attempt to wire your own new outlets or circuits. To reduce the risk of fire, electric shock or injury to persons, always use a licensed electrician.

⚠ WARNING: Ensure that the circuit on which the fireplace is to be installed has the power cut off at the service panel until installation is complete.

3. Lift fireplace and insert into opening (Fig. 9).
4. Use bubble level (supplied) to level the fireplace within the framing. Adjust as required.
5. Drive four supplied mounting screws through the four mounting holes located in each corner of the fireplace chassis, into wall studs (Fig. 9).
6. Refer to Front Glass Installation section for final installation procedures.

Flush Mount- see Fig. 10 & 11

⚠ CAUTION: Two people will be required for various steps of this procedure.

1. Prepare a wall with a framed opening for the correct model (Fig. 10)
 - 34" Model: 33 in. (83.8 cm) wide x 18 ½ in. (47 cm) high
 - 50" Model : 49 in. (124.5 cm) wide x 18 ½ in. (47 cm) high
 - 74" Model: 73 in. (185.4 cm) wide x 18 ½ in. (47 cm) high

! NOTE: It is recommended that the bottom of the unit not be mounted higher than 40 in. (102 cm) from the ground to maintain an optimized viewing angle of the flame.

⚠ WARNING: Do not attempt to wire your own new outlets or circuits. To reduce the risk of fire, electric shock or injury to persons, always use a licensed electrician.

⚠ WARNING: Ensure that the circuit on which the fireplace is to be installed has the power cut off at the service panel until installation is complete.

2. Lift fireplace and insert into opening. The fireplace's mounting trim should be flush against the wall (Fig. 11).
3. Use the supplied bubble level to level the fireplace within the framing, adjust as required.
4. Drive four supplied mounting screws through the four mounting holes located on the inside surface of the fireplace chassis, into wall studs (Fig. 11).
5. Refer to Front Glass Installation section for final installation procedures.

Front Glass Installation- see Fig. 12 & 13

1. Pour and evenly distribute the supplied media in the Media tray of the firebox (Figure 12).
2. Carefully mount front glass assembly so that the front glass hooks hang on the front glass mounts on the fireplace (Figure 12).
3. Use the supplied four Phillips sheet metal screws to fasten the glass assembly tabs to the fireplace (Figure 13).

Remote Control - See Fig. 3

The maximum range of use is ~ 5metres.

NOTE: It takes time for the receiver to respond to the transmitter.

NOTE: The receiver for the remote control is located in the display, aim the remote control in this direction when inputting commands.

Do not press the buttons more than once within two seconds for correct operation.

Battery Information - See Fig. 3

1. To activate the remote control remove the clear battery isolation strip at the base of the remote control, which is used to ensure your remote control reaches you fully charged.

2. To replace the remote control battery, turn over the remote control, and follow the diagram embossed on the remote control

3. Only use CR2025 or CR2032 size of batteries.

Thermal Safety Cut-out

The built-in overheat cut-out, switches off the appliance automatically in the event of a fault! Should this occur switch off the appliance or disconnect the mains plug from the socket.

Remove any obstructions which may have caused the overheating. After a short cooling down phase, the appliance is ready for use again! If the fault should occur again, contact your local dealer!

WARNING: In order to avoid a hazard due to inadvertent resetting of the thermal cut-out, this appliance must not be supplied through an external switching device, such as a timer, or connected to a circuit that is regularly switched on and off by the utility.

Maintenance

⚠ WARNING: ALWAYS DISCONNECT FROM THE POWER SUPPLY BEFORE ATTEMPTING ANY MAINTENANCE.

Light Emitting Diode

This fire is fitted with LED (Light Emitting Diode) lamps. These LED lamps are maintenance-free and should not require replacing during the life of the product.

Cleaning

⚠ WARNING: ALWAYS DISCONNECT FROM THE POWER SUPPLY BEFORE CLEANING THE HEATER.

For general cleaning use a soft clean duster – never use abrasive cleaners. The glass viewing screen should be cleaned carefully with a soft cloth.

DO NOT use proprietary glass cleaners.

To remove any accumulation of dust or fluff the soft brush attachment of a vacuum cleaner should occasionally be used to clean the outlet grille of the fan heater.

WARNING: do not operate the product without the grille and outer glass in position as this may effect the operation of the heater.

Recycling

For electrical products sold within the European Community. At the end of the electrical products useful life it should not be disposed of with household waste. Please recycle where facilities exist. Check with your Local Authority or retailer for recycling advice in your country.



After Sales Service

Should you require after sales service or should you need to purchase any spares, please contact the retailer from whom the appliance was purchased or contact the service number relevant to your country on the warranty card.

Please do not return a faulty product to us in the first instance as this may result in loss or damage and delay in providing you with a satisfactory service. Please retain your receipt as proof of purchase.

Wichtige Sicherheitshinweise


Bei der Benutzung von elektrischen Anwendungen sollten die grundlegenden Sicherheitsmaßnahmen befolgt werden, um das Risiko für Feuer, Stromschlag oder die Verletzung von Personen einschließlich Folgendem zu vermeiden:

Falls das Gerät beschädigt ist, wenden Sie sich sofort an den Lieferanten, bevor Sie es installieren oder in Betrieb nehmen.

Dieses Gerät nicht in der unmittelbaren Nähe eines Bades, einer Dusche oder eines Schwimbeckens benutzen.

Nicht draußen benutzen.

Platzieren Sie dieses Gerät nicht direkt ober- oder unterhalb einer Steckdose oder eines Anschlusskastens.

 **VORSICHT:** Das Gerät ist mit einem Warnsymbol versehen, welches anzeigt, dass das Gerät nicht abgedeckt werden darf, oder mit einem Etikett mit der Aufschrift „Nicht abdecken“. Wärmeabzug über dem Flammenfenster des Geräts nicht abdecken oder blockieren. Das Gerät kann ansonsten überhitzen. Legen Sie keine Gegenstände oder Textilien auf das Gerät und stören Sie nicht die Luftzirkulation um das Gerät, zum Beispiel durch Vorhänge oder Möbel. Denn so könnte die Gefahr einer Überhitzung entstehen.

Falls ein Fehler auftritt, trennen Sie das Heizgerät vom Strom. Dies sollten Sie auch dann tun, wenn das Gerät für längere Zeit nicht gebraucht wird. Das Stromkabel sollten Sie rechts neben dem Heizgerät in ausreichendem Abstand vom Wärmeaustritt unter dem Gerät platzieren. Dieses Gerät darf von Kindern ab 8 Jahren betrieben werden sowie von Personen, die verminderte körperliche, sensorische oder geistige Fähigkeiten haben oder keine Erfahrung oder Erfahrungen damit haben, wenn sie in den sicheren Betrieb des Gerätes eingewiesen wurden oder entsprechende Anweisungen erhalten haben und die potentiellen Gefahren verstehen. Kinder dürfen nicht mit dem Gerät spielen. Die Reinigung und Wartung darf nicht von Kindern ohne Aufsicht erfolgen.

Kinder unter 3 Jahren sollten von dem Gerät ferngehalten werden, es sei denn, sie sind stets beaufsichtigt. Kinder ab 3 Jahre und unter 8 Jahren dürfen das Gerät nur an- und ausschalten, wenn es in seiner vorgesehenen Betriebsposition aufgestellt und installiert wurde und wenn sie in den sicheren Betrieb des Gerätes eingewiesen wurden oder entsprechende Anweisungen erhalten haben und die potentiellen Gefahren verstehen. Kinder ab 3 Jahren und unter 8 Jahren dürfen das Gerät nicht mit dem Strom verbinden, regulieren oder reinigen oder Wartungsarbeiten vornehmen. Das Gerät muss so aufgestellt werden, dass der Stecker zugänglich ist.

Obwohl dieses Gerät den Sicherheitsstandards entspricht, empfehlen wir, das Gerät

nicht auf Hochflor-Teppichen zu benutzen oder auf Teppichen mit langen Fasern. Wenn das Stromkabel beschädigt ist, muss es durch den Hersteller oder Dienstleister oder eine ähnlich qualifizierte Person ersetzt werden, um Gefahren zu vermeiden.

ACHTUNG: Um Gefahren aufgrund unbeabsichtigter Zurücksetzung des Thermoauslösers zu vermeiden, darf das Gerät nicht an ein externes Schaltgerät angeschlossen werden, wie etwa ein Zeitschaltgerät oder an einen Stromkreis, der regelmäßig von der Stromversorgung an- und ausgeschaltet wird.

VORSICHT - Einige Teile dieses Gerätes können sehr heiß werden und Verbrennungen verursachen. Besondere Vorsicht ist bei der Anwesenheit von Kindern und verletzlichen Personen erforderlich.

Technische Informationen

Modellnr.: BLF34EU-E, BLF3451EU-E, BLF50EU-E, BLF50UK-E, BLF5051EU-E, BLF74EU-E, BLF7451EU-E

Wärmeleistung 230V 240V

Minimale Wärmeleistung	P_{Min}	1.1	-	1.2	kW
------------------------	-----------	-----	---	-----	----

Minimale Wärmeleistung	P_{Min}	0.6	-	0.6	kW
------------------------	-----------	-----	---	-----	----

Maximale kontinuierliche Wärmeleistung	$P_{max,c}$	1.1	-	1.2	kW
--	-------------	-----	---	-----	----

Nebenelektrizitätsverbrauch

In den Standby-Modus	SB_{SB}	0.47	-	0.49	e
----------------------	-----------	------	---	------	---

Mit elektronischer Raumtemperaturkontrolle

Display

Den Heizofen vorsichtig aus der Verpackung nehmen und die Verpackung für etwaige Wiederbenutzung aufheben, z. B. für Umzug oder Rücksendung zum Hersteller.

Das Feuer beinhaltet einen Flammeneffekt, der mit oder ohne Heizfunktion genutzt werden kann. Er sorgt das ganze Jahr über für eine gemütliche Atmosphäre. Wird nur der Flammeneffekt genutzt, bedarf dies nur einer geringen Strommenge.

Vor Anschluss des Heizofens an das Stromnetz prüfen Sie bitte, dass die Voltzahl der Zahl entspricht, die auf dem Heizgerät angegeben ist.

Bitte beachten: In leisen Umgebungen kann das Gerät ein Geräusch verursachen, welches vom Betrieb des Flammeneffekts herrührt. Dies ist normal und stellt kein Problem dar.

Elektrische Verbindung

 **VORSICHT: DIESES GERÄT MUSS GEERDET WERDEN**

Dieses Heizgerät darf nur über ein Wechselstromnetz betrieben werden und die auf dem Heizgerät angegebene Voltzahl muss der Stromvoltzahl entsprechen.

Vor dem Anschalten bitte die Sicherheitswarnungen und das Betriebshandbuch durchlesen.

Feste Verkabelung

In einigen Ländern wird das Gerät ohne Netzstecker ausgeliefert, um den lokalen Vorschriften zu entsprechen. In derartigen Fällen muss dieses Gerät von entsprechend qualifiziertem Fachpersonal montiert werden und in der Hausverkabelung muss eine Trenneinrichtung unter Einhaltung der geltenden Vorschriften für den Anschluss von Elektrogeräten vorgesehen werden.

Recycling Siehe Abb. 2 & 3

	Passend	Display	Reinigung	Wartung
A		-	Strom / Standby	Einmal drücken, um das Gerät einzuschalten („ON“). Noch einmal drücken, um das Gerät auf „STANDBY“ zu schalten. (Nach dem „STANDBY“ Modus kehrt das Gerät zum vorherigen Modus zurück, es sei denn, es wurde vom Strom getrennt. In diesem Fall kehrt es zu den Einstellungen ab Werk zurück.)
B			Sleep-Timer	Drücken Sie mehrmals hintereinander, um den „SLEEP TIMER“ in Schritten von 0,5 Stunden von 0,5 Std. auf 8,0 Std. einzustellen, bevor Sie ihn ausstellen. Die verbleibende Zeit des Sleep-Timers wird auf dem Display angezeigt. (Dieses Symbol ist grün .)
C		Feste Verkabelung		Die Schaltfläche „FLAMMENEFFEKT“ Nacheinander durch folgende 4 Modi: LOW FLAME, HIGH FLAME, DEMO MODE und OFF.
		F1	Low Flame	Diese Einstellung betreibt den Flammeneffekt auf einer niedrigen Helligkeitsstufe. (Auf dem Display wird F1 angezeigt)
		F2	High Flame	Diese Einstellung betreibt den Flammeneffekt auf einer hohen Helligkeitsstufe. (Auf dem Display wird F1 angezeigt)
		FP	Wärme verringern	Diese Einstellung lässt den Flammeneffekt langsam zwischen niedriger und starker Helligkeit wechseln. (Auf dem Display wird F1 angezeigt)
		-	Off	Dies löscht die Flamme. Wenn das Heizgerät läuft, wird das Display aktiv und bleibt auch aktiv, um die gewählte Temperatur zu kontrollieren und anzuzeigen, ob das Gerät auf STARKE HITZE/NIEDRIGE HITZE/ KÜHLE UMLUFT eingestellt ist.
D		Farbthema		„Farbthemen“ sind Einstellungen, die die Farbe des Brennstoffbetts verändern. Es gibt acht unterschiedliche Themen.
			Thema 1	Thema 1 ist ein „Demomodus“. Diese Einstellung ist bei allen Farbeinstellungen möglich. Sie können diesen Demomodus auf „Pause“ setzen, indem Sie die Schaltfläche „Helligkeit“ betätigen. * In diesem Fall wird das Display dies anzeigen. . P Um die Pause zu beenden drücken Sie die Schaltfläche „Helligkeit“ erneut. * In diesem Fall zeigt das Display an . u
		2-8	Modellnr.:	Themen 2-8 sind voreingestellte Farben, die statisch bleiben.
E		-	Helligkeit	Durch das Betätigen dieser Schaltfläche lassen sich die Themen 1-8 auf volle Helligkeit und halbe Helligkeit einstellen. Diese Schaltfläche interagiert auch mit dem Gerät, wenn sie auf Thema eingestellt ist, so wie zuvor beschrieben.
F		Passend		Der Schalter „Wärme“ führt das Gerät schrittweise durch die folgenden 4 Einstellungen: NIEDRIGE HITZE, HOHE HITZE, KALTES GEBLÄSE und AUS. Der Wärmemodus wird durch ein Symbol auf dem Floatingdisplay angezeigt. Siehe Abb. 2. Bei eingeschaltetem Flammeneffekt schaltet das Floatingdisplay nach 5 Sekunden automatisch ab, jedoch wenn das Heizgerät unabhängig vom Flammeneffekt verwendet wird. Das Symbol für niedrige und hohe Hitze wird permanent auf dem Display angezeigt.
			Niedrige Hitze	Das Heizgerät läuft mit geringer Wärme. Dieser Modus wird durch das Symbol für „LOW HEAT“ und die Buchstaben „LO“ auf dem Display angezeigt. (Dieses Symbol ist orangefarben .)
			Wärme verringern	Das Heizgerät läuft mit starker Wärme. Dieser Modus wird durch das Symbol für „HIGH HEAT“ und die Buchstaben „HI“ auf dem Display angezeigt. (Dieses Symbol ist rot .)
			Wärme verringern	Das Heizgerät läuft mit kühler Luft. Dieser Modus wird durch das Symbol für „COOL BLOW“ und die Buchstaben „CB“ auf dem Display angezeigt. (Dieses Symbol ist blau .)
		-	Off	Heizung und Gebläse werden ausgeschaltet. Auf dem Floatingdisplay erscheint kein Symbol. Das Gebläse läuft noch für 10-20 Sekunden nach dem Abschalten des Geräts weiter. Dadurch wird ein sicheres Abkühlen des Geräts gewährleistet.
G		-	Wärme verringern	Drücken Sie mehrmals hintereinander, um die Temperatur des Heizgeräts um 1 °C Einheit zu senken. zu erhöhen. Die niedrigste Temperatur ist 5 °C. Beachten Sie: Sobald Sie bei der gewünschten Temperatur anhalten, blinkt die Anzeige 3 Mal. Anschließend zeigt das Display die vom Gerät ermittelte Raumtemperatur an. Wenn die eingestellte Temperatur niedriger ist als die ermittelte Raumtemperatur, wird das Heizgerät nicht aktiviert.
H		-	Temp Up	Mehrfach drücken, um die Temperatur des Heizgeräts in Schritten von 1 °C zu erhöhen. Die höchste einstellbare Temperatur beträgt 37 °C. Beachten Sie: Sobald Sie bei der gewünschten Temperatur anhalten, blinkt die Anzeige 3 Mal. Anschließend zeigt das Display die vom Gerät ermittelte Raumtemperatur an. Wenn die eingestellte Temperatur niedriger ist als die ermittelte Raumtemperatur, wird das Heizgerät nicht aktiviert.

Wärmeleistung

Bezeichnung des Modus / Beschreibung	orangefarben (Lässt sich nicht über Fernbedienung einstellen)
Fernbedienung - (°C) nach Fahrenheit (°F) Min	Sowohl den 3-Punkt-Schalter (•••) und 2 Dot (••) am Gerät gedrückt halten, bis ein Piepen ertönt und das Display blinkt. (Wiederholen, um zu Celsius zurückzukehren)
Wärmeoptionen deaktivieren/aktivieren	Den 1-Punkt-Schalter (•) und den Flammschalter (🔥) am Gerät für 2 Sekunden gedrückt halten. Wenn das Heizgerät abgeschaltet hat, erscheint auf dem Display die Anzeige „-“ und ein Piepen ertönt. Wiederholen Sie den Vorgang, wenn Sie die Wärmefunktion aktivieren möchten.

PassendeProdukt Siehe Abb. 4 - 11

Es gibt drei Montagearten

1. Aufbaumontage
2. Partiiell Vertieft (Nicht bei 74" Modellen)
3. Einbau

Aufbaumontage (34" & 74" Modelle).- Siehe Abb. 4 & 5

⚠ VORSICHT: Es sind zwei Personen notwendig, um einige Schritte des Verfahrens auszuführen.

⚠ VORSICHT: Stellen Sie sicher, dass der Stromkreislauf, an den der Kamin angeschlossen werden soll, am Service Panel ausgestellt ist, bis dass die Installation abgeschlossen ist.

1. Legen Sie den Montageort für die Einheit fest, sodass Sie die Wandhalterung mit mindestens 2 Wandstützen für das 34" Modell und 4 Wandstützen für das 74" Modell anbringen können.

! HINWEIS: Es wird empfohlen, die Wandhalterung 56 in. (142 cm) über dem Erdboden anzubringen, sodass ein Winkel entsteht, der eine optimale Sicht der Flamme ermöglicht.

2. Halten Sie die Wandhalterung mit der Wasserwaage obenauf gegen die Wand, sodass die Blase der Wasserwaage sich zwischen den beiden schwarzen Linien befindet.
3. Markieren Sie die Stellen für die 4 Schrauben an der Wand, um so sicherzustellen, dass die Wandhalterung auf der erwünschten Höhe bleibt.
4. Dort, wo die Schrauben lediglich in die Trockenbauwand gebohrt werden, bringen Sie die mitgelieferten Maueranker vor den Schrauben an (bei Bedarf vorbohren).
5. Befestigen Sie die Wandhalterung mit Hilfe der mitgelieferten 1 ½ in. (3,8 cm)-Schrauben und Sicherungsscheiben an der Wand und/oder an den Mauerankern.
6. Installieren Sie die Halterung für die Unterstützung des Bodens und richten Sie diese dabei mit Hilfe der geeigneten Montage-Hardware auf die Mitte der Wandhalterung aus. Sie sollte 13 ¾" (350 mm) unter der Wandhalterung angebracht werden (siehe Abb. 4, Markierung B).
7. Entfernen Sie die mittige Schraube vom Boden des Kamins. (Abb. 5)
8. Hängen Sie den Kamin an der Halterung auf.
9. Befestigen Sie die zuvor entfernte Schraube durch die Halterung für die Unterstützung des Bodens hindurch mit dem Kamin.
10. Schauen Sie sich den Abschnitt über die Installation der Glasscheibe an der Vorderseite an, wenn Sie mehr über die Endmontage erfahren möchten.

Oberflächenmontage - Siehe Abb. 6 & 7

⚠ VORSICHT: Es sind für die Durchführung von einzelnen Schritten dieses Verfahrens zwei Personen erforderlich.

1. Wählen Sie einen Ort für die Montage, wo sich mindestens zwei Wandstifte anbringen lassen.
2. Wählen Sie Ihre Methode, um die Einheit mit Strom zu versorgen:
 - Stecken Sie den Stecker in eine vorhandene Steckdose oder bringen Sie eine in der Nähe an.
 - Verkabeln Sie den Kamin.

⚠ VORSICHT: Versuchen Sie es nicht mit eigenen neuen Schaltkreisen. Um das Risiko eines Brandes, von elektrischem Schlag oder die Verletzungsgefahr für Menschen zu verringern, setzen Sie einen ausgebildeten Elektriker ein.

⚠ VORSICHT: Stellen Sie sicher, dass der Stromkreislauf, an den der Kamin angeschlossen werden soll, am Service Panel ausgestellt ist, bis dass die Installation abgeschlossen ist.

3. Entfernen Sie das teils reflektierende Glas vom Kamin:
 - Legen Sie den Kamin auf seinen Rücken.
 - Entfernen Sie zwei Kreuzschlitzschrauben von jeder der beiden Glashalter (Abb. 6, Markierung A).
 - Entfernen Sie die Glashalter (Abb. 6, Markierung B).
 - Mit einer Hand halten Sie das teilweise reflektierende Glas. Neigen Sie den Kamin leicht nach vorne/oben, damit das teilweise reflektierende Glas aus dem Rahmen gleiten kann.

⚠ VORSICHT: Das teilweise reflektierende Glas ist nicht gehärtet. Stoßen Sie mit dem teilweise reflektierenden Glas nicht an oder lassen Sie es nicht fallen, um ein Zersplittern und Verletzungen zu vermeiden.

- Entfernen Sie das teilweise reflektierende Glas vom Kamin.
4. Positionieren Sie den Kamin an dem Ort der Wand, an dem er montiert werden soll (Abb. 7). Nutzen Sie eine Wasserwaage (eine wird mitgeliefert), um sicherzustellen, dass der Kamin gerade an der Wand angebracht wird.
 5. Achten Sie darauf, dass mindestens zwei Löcher auf die Wandstifte ausgerichtet sind (die Löcher befinden sich 4 in. (10,2 cm) vom Zentrum entfernt) (siehe Abb. 7, Markierung A). Markieren Sie die Stelle für vier Schraubenlöcher an der Wand (durch die Löcher).
 6. Entfernen Sie den Kamin von der Mauer und lagern Sie ihn an einem sicheren Ort.
 7. Wo sich die markierten Stellen für die Schrauben nicht mit einem Wandstift decken, bringen Sie eine der beiden mitgelieferten Maueranker an (vorbohren, falls erforderlich). Wiederholen, wenn sich nur zwei Schrauben mit den Wandstiften decken.
 8. Bohren Sie alle vier mitgelieferten ein 8, 1 ½ in. (3,8 cm) Vierkantbefestigungsschrauben und Unterlegscheiben in die Wand und/oder die Mauerankern, wobei Sie einen Gewindegang von ¼ in. (6,5 mm) belassen.
 9. Richten Sie die betreffenden Löcher auf die Schrauben aus und hängen Sie den Kamin an die Wand. Die Schraubenköpfe und Unterlegscheiben passen in die Löcher und der Kamin wird an seinen Platz gleiten (Schrauben gleiten in den engen Teil der Löcher).
 10. Ziehen Sie alle vier Schrauben unten am Gehäuse des Kamins an.
 11. Drehen Sie die beiden mitgelieferten Vierkantschrauben durch die beiden bleibenden Montagebohrungen (Abb. 7, Markierung C), die auf einen Wandstift ausgerichtet sind.
 12. Setzen Sie das teilweise reflektierende Glas wieder vorsichtig ein, wobei Sie Schrauben von Schritt 1 benutzen.
 13. Schauen Sie sich den Abschnitt über die Installation der Glasscheibe an der Vorderseite an, wenn Sie mehr über die Endmontage erfahren möchten.

Teils vertieft (nicht mögliche bei 74" Modellen)- Siehe Abb. 8 & 9

⚠ VORSICHT: Es sind für die Durchführung von einzelnen Schritten dieses Verfahrens zwei Personen erforderlich.

1. Bereiten Sie eine Wand mit einer gerahmten Öffnung für das korrekte Modell vor (Abb. 8).
 - 34" Modelle: 30 ½ in. (77,5 cm) breit x 16 ½ in. (42 cm) hoch
 - 50" Modelle: 46 ½ in. (118,1 cm) breit x 16 ½ in. (42 cm) hoch

! HINWEIS: Die Dimensionen erlauben ¼ in. (6,4 mm) Spielraum um den Kamin herum zum Einsetzen, um die Installation zu erleichtern. Dieser Kamin erfordert keine zusätzliche Entlüftung.

2. Wählen Sie Ihre Methode, um die Einheit mit Strom zu versorgen:

- Mit der Steckdose verbinden (das Stromkabel aus der gerahmten Wandöffnung an eine existierende Steckdose anschließen oder eine Steckdose in der Nähe des Wandstifts anbringen).

- Verkabeln Sie den Kamin.

⚠ VORSICHT: Versuchen Sie es nicht mit eigenen neuen Schaltkreisen. Um das Risiko eines Brandes, von elektrischem Schlag oder die Verletzungsgefahr für Menschen zu verringern, setzen Sie einen ausgebildeten Elektriker ein.

⚠ VORSICHT: Stellen Sie sicher, dass der Stromkreislauf, an den der Kamin angeschlossen werden soll, am Service Panel ausgestellt ist, bis dass die Installation abgeschlossen ist.

3. Heben Sie den Kamin an und fügen Sie ihn in die Öffnung ein (Abb. 9).
4. Arbeiten Sie mit der Wasserwaage (mitgeliefert), um den Kamin gerade in den Rahmen einzupassen. Anpassen, falls erforderlich.
5. Befestigen Sie die mitgelieferten Montageschrauben durch die vier Montagelöcher an jeder Ecke des Kamingehäuses mit den Wandstiften (Abb. 9).
6. Schauen Sie sich den Abschnitt über die Installation der Glasscheibe an der Vorderseite an, wenn Sie mehr über die Endmontage erfahren möchten.

Einbau- Siehe Abb. 10 & 11

⚠ VORSICHT: Es sind zwei Personen für bestimmte Schritte dieses Verfahrens erforderlich.

1. Bereiten Sie eine Wand mit einer gerahmten Öffnung für das richtige Modell vor (Abb. 10).
 - 34" Modell: 33 in. (83,8 cm) breit x 18 ½ in. (47 cm) hoch
 - 50" Modell: 49 in. (124,5 cm) breit x 18 ½ in. (47 cm) hoch
 - 74" Modell: 73 in. (185,4 cm) breit x 18 ½ in. (47 cm) hoch

! HINWEIS: Es wird empfohlen, den Boden der Einheit nicht höher als 40 in. (102 cm) über dem Boden anzubringen, um einen optimalen Winkel für die Sicht der Flamme zu schaffen.

⚠ VORSICHT: Versuchen Sie es nicht mit eigenen neuen Schaltkreisen. Um das Risiko eines Brandes, von elektrischem Schlag oder die Verletzungsgefahr für Menschen zu verringern, setzen Sie einen ausgebildeten Elektriker ein.

⚠ VORSICHT: Stellen Sie sicher, dass der Stromkreislauf, an den der Kamin angeschlossen werden soll, am Service Panel ausgestellt ist, bis dass die Installation abgeschlossen ist.

2. Heben Sie den Kamin an und setzen Sie ihn in die Öffnung ein. Die Montageschale des Kamins sollte bündig an der Wand anliegen (Abb. 11).
3. Arbeiten Sie mit der mitgelieferten Wasserwaage, falls erforderlich anpassen.
4. Führen Sie die vier mitgelieferten Montageschrauben durch die vier Montagelöcher an der inneren Oberfläche des Kamingehäuses in die Wandstifte (Abb. 11).
5. Schauen Sie sich den Abschnitt über die Installation der Glasscheibe an der Vorderseite an, wenn Sie mehr über die Endmontage erfahren möchten.

Einbau des Frontglases- Siehe Abb. 12 & 13

1. Gießen Sie das mitgelieferte Medium in den Medieneinschub des Kamins und verteilen Sie dieses gleichmäßig (Abb. 12).
2. Montieren Sie das Frontglas vorsichtig, sodass die Haken des Frontglases an den Befestigungen des Kamins hängen (Abb. 12).
3. Nutzen Sie die mitgelieferten Kreuzschlitzmetallschrauben, um die Glasmontagetabs am Kamin zu befestigen (Abb. 13).

Fernbedienung - Siehe Abb. 3

Die maximale Reichweite beträgt ca. 5 Meter.

ACHTUNG: Der Receiver benötigt Zeit, um auf den Transmitter zu reagieren.

ACHTUNG: Der Receiver für die Fernbedienung befindet sich im Display. Halten Sie die Fernbedienung bei der Eingabe in diese Richtung.

Für eine korrekte Funktionsweise sollten die Tasten nicht öfter als einmal in zwei Sekunden gedrückt werden.

Batterien Siehe Abb. 3

1. Entfernen Sie den transparenten Batterieschutz auf der Unterseite der Fernbedienung. Der Batterieschutz gewährleistet, dass Sie die Fernbedienung in einem vollen Ladezustand erhalten.

2. Wenn Sie die Batterie in der Fernbedienung auswechseln möchten, drehen Sie die Fernbedienung auf die Rückseite und folgen Sie den auf der Fernbedienung eingravierten Anweisungen.

3. Verwenden Sie nur Batterien der Typen CR2025 oder CR2032.

Thermischer Schutzschalter

Der eingebaute Stopp bei Überhitzung schaltet das Gerät automatisch aus, wenn ein Fehler auftritt! Sollte dies passieren, dann schalten Sie das Gerät sofort aus oder trennen Sie das Gerät vom Strom.

Entfernen Sie alle Hindernisse, welche die Überhitzung möglicherweise verursacht haben. Nach einer kurzen Phase der Abkühlung können Sie das Gerät wieder in Gebrauch nehmen! Sollte die Störung erneut auftreten, wenden Sie sich an Ihren Händler.

ACHTUNG: Um Gefahren aufgrund unbeabsichtigter Zurücksetzung des Thermoauslösers zu vermeiden, darf das Gerät nicht an ein externes Schaltgerät angeschlossen werden, wie etwa ein Zeitschaltgerät oder an einen Stromkreis, der regelmäßig von der Stromversorgung an- und ausgeschaltet wird.

Wartung

⚠ VORSICHT: VOR DURCHFÜHRUNG VON WARTUNGSARBEITEN IST UNBEDINGT DER NETZSTECKER ZU ZIEHEN.

Leuchtdiode

Dieses Feuer ist mit LED-Lampen (Leuchtdioden) ausgestattet. Diese LED-Lampen sind wartungsfrei und müssen während der Lebensdauer des Produkts nicht ersetzt werden.

Reinigung

⚠ VORSICHT: VOR DER REINIGUNG DES HEIZGERÄTS IST UNBEDINGT DER NETZSTECKER ZU ZIEHEN.

Zur allgemeinen Reinigung ein weiches, sauberes Staubtuch verwenden. Niemals mit aggressiven Reinigern behandeln. Das Glassichtfenster ist vorsichtig mit einem weichen Tuch zu reinigen.

NUTZEN SIE KEINEN Glasreiniger.

Zum Entfernen von Staub oder Flusen vom Wärmeabzuggrill des Heizgeräts kann von Zeit zu Zeit der weiche Bürstenaufsatz des Staubsaugers verwendet werden.

Verwenden Sie das Gerät nicht ohne Grill oder Glasscheibe. Anderenfalls kann es zu Funktionsstörungen des Heizgeräts kommen.

Recycling

Für elektrische Geräte, die in der Europäischen Gemeinschaft verkauft werden. Das Gerät darf am Ende seiner Lebensdauer nicht mit dem Hausmüll entsorgt werden. Bitte bei den entsprechenden Einrichtungen recyceln. Bitte holen Sie Rat bei Ihren örtlichen Behörden oder Ihrem Einzelhändler für Ihr Land ein.



After Sales Service

Sollten Sie Bedarf an After Sales Service oder Ersatzteilen haben, dann wenden Sie sich bitte an den Einzelhändler, bei dem Sie das Gerät gekauft haben, oder rufen Sie die Servicenummer an, die auf der Garantiekarte für Ihr Land angegeben ist.

Bitte senden Sie defekte Geräte zunächst nicht an uns, da diese verloren gehen oder beschädigt werden und Verzögerungen bei der Bereitstellung zufriedenstellender Serviceleistungen unsererseits entstehen können. Bitte verwahren Sie Ihre Kaufquittung als Beleg.

Belangrijke veiligheidsmededeling

Bij gebruik van elektrische apparaten dienen basisvoorzorgmaatregelen in acht genomen te worden om het risico op brand, elektrische schokken en verwondingen bij personen te voorkomen, inclusief:

Neem als het apparaat beschadigd is voor installatie en gebruik direct contact op met de leverancier.

Dit apparaat niet in de directe omgeving van een bad, douche of zwembad gebruiken.

Niet buiten gebruiken.

Het apparaat niet rechtstreeks boven of onder een vast stopcontact of aansluitdoos plaatsen.

⚠ WAARSCHUWING: Het apparaat is voorzien van een Waarschuwingssymbool waarop wordt aangegeven dat het niet afgedekt mag worden of heeft een Niet afdekken-label. Het warmte-uitlaatrooster boven het vlamvenster van het apparaat niet afdekken of op enige manier blokkeren. Er ontstaat oververhitting als het apparaat per ongeluk wordt afgedekt. Geen materiaal of kleding op het apparaat leggen of de luchtcirculatie om het apparaat verhinderen door bijvoorbeeld gordijnen of meubels, aangezien dit tot oververhitting kan leiden en tot brandgevaar kan leiden.

In het geval van een fout de stekker van de verwarming uit het stopcontact halen. Haal de stekker van het apparaat uit het stopcontact als deze langere tijd niet nodig is. Het snoer moet aan de rechterkant van de verwarming geplaatst worden, uit de buurt van de warmte-uitlaat onder het apparaat.

Dit apparaat kan worden bediend door kinderen van 8 jaar en ouder en door personen met verminderde fysieke, zintuiglijke of geestelijke capaciteiten of gebrek aan ervaring en kennis als zij onder supervisie staan of instructies krijgen ten aanzien van het veilige gebruik van het apparaat en begrijpen welke gevaren zich kunnen voordoen. Kinderen mogen niet met het apparaat spelen. De reiniging en het gebruikersonderhoud van het apparaat mag niet zonder toezicht door kinderen worden uitgevoerd.

Kinderen van 3 jaar of jonger moeten uit te buurt gehouden worden behalve bij constante supervisie. Kinderen vanaf 3 jaar maar jonger dan 8 jaar mogen het apparaat alleen aan/uit zetten op voorwaarde dat deze in de normale functioneringspositie is geplaatst of geïnstalleerd en ze begeleiding of instructie hebben gekregen ten aanzien van het veilige gebruik van het apparaat en de betreffende gevaren begrijpen. Kinderen ouder dan 3 en jonger dan 8 jaar mogen de stekker van het apparaat niet in het stopcontact steken, hem instellen en reinigen of onderhoudswerkzaamheden uitvoeren. Het apparaat moet zodanig gepositioneerd worden dat de stekker bereikbaar is.

Hoewel het apparaat aan de veiligheidsnormen voldoet, raden wij het gebruik op hoogpolig tapijt of langharige kleden af.

Als het snoer beschadigd is, moet hij vervangen worden door de fabrikant of servicedienst of een vergelijkbaar gekwalificeerd persoon om gevaar te vermijden.

LET OP: Dit apparaat mag niet via een extern schakelapparaat, zoals een timer, worden gevoed of aangesloten worden op een circuit dat regelmatig door de nutsvoorziening aan en uit wordt gezet, om risico te vermijden door het per ongeluk resetten van de thermische afsluiting.

WAARSCHUWING - Sommige onderdelen van dit product kunnen heel heet worden en brandwonden veroorzaken. Let extra goed op als er kinderen en kwetsbare personen in de buurt zijn.

Technische informatie

Modelnr: BLF34EU-E, BLF3451EU-E, BLF50EU-E, BLF50UK-E, BLF5051EU-E, BLF74EU-E, BLF7451EU-E

Warmte-uitvoer **230V 240V**

Nominale warmte-uitvoer	P_{Nom}	1.1	-	1.2	kW
Minimale warmte-uitvoer	P_{min}	0.6	-	0.6	kW
Maximum constante warmteafgifte	$P_{max,c}$	1.1	-	1.2	kW

Hulp Elektriciteitsverbruik

In standby-modus	eI_{SB}	0.47	-	0.49	W
------------------	-----------	------	---	------	---

met elektronische kamertemperatuurregeling

Algemeen

Verwijder de kachel voorzichtig uit de verpakking en bewaar deze voor mogelijk gebruik in de toekomst voor verhuizingen of het terugbrengen van de kachel naar de verkoper.

De haard heeft een vlameffect die met of zonder warmte gebruikt kan worden, zodat op elk moment van het jaar genoten kan worden van de gezelligheid die het biedt. Voor gebruik van alleen het vlameffect is maar een klein beetje elektriciteit nodig.

Controleer alvorens de stekker van de verwarming in het stopcontact te steken of het voltage hetzelfde is als aangegeven voor de verwarming.

Let op: Bij gebruik in omgeving met weinig achtergrondgeluid kan een geluid hoorbaar zijn als het vlameffect geselecteerd wordt. Dit is normaal en is niet iets waar zorgen om gemaakt hoeft te worden.

Elektrische aansluiting

⚠ WAARSCHUWING: DIT APPARAAT MOET WORDEN GEAARD













Deze kachel mag alleen gevoed worden met wisselstroom en het voltage aangegeven op kachel moet overeenkomen met het voltage van de stroomtoevoer.

Lees de veiligheids waarschuwingen en instructies voor de bediening alvorens de kachel aan te zetten.

Vaste bedrading

In bepaalde jurisdicties wordt deze toepassing zonder stekker geleverd. Dit gebeurt om aan plaatselijke regels te voldoen. In dergelijke gevallen dient dit apparaat te worden geïnstalleerd door een goed gekwalificeerde installateur en men moet de middelen voor het verbreken van de verbinding opnemen in de vaste bedrading, zoals geldt volgens de plaatselijke regels voor bedrading.

Bediening: Zie Fig. 2 & 3

	Icoon	Display	Functie	Omschrijving
A		-	Stroom/Standby	Een keer indrukken om het product 'AAN' te zetten. Een tweede keer indrukken om het product op 'STANDBY' te zetten. (Als het product vanuit 'STANDBY' wordt aangezet, gaat het terug naar eerdere instellingen behalve als de stekker uit het stopcontact is gehaald, in welk geval het gereset wordt naar de fabrieksinstellingen)
B			Sleep Timer	Press multiple times to change the 'SLEEP TIMER' in 0.5 hr increments from 0.5 hr to 8.0 hr before turning off. De resterende tijd van de 'SLEEP TIMER' wordt weergegeven. (T(Dit icoon is Groen van kleur)
C		Vlameffect		Met de knop 'FLAME EFFECT' doorloopt de eenheid op een volgend 4 instellingen, LOW FLAME, HIGH FLAME, DEMO MODE en OFF.
		F1	Low Flame	Op deze instelling staat het vlameffect op lage felheid. (Op de display staat F1)
		F2	High Flame	Op deze instelling staat het vlameffect op hoge felheid. (Op de display staat F2)
		FP	Demo Mode	Op deze instelling wisselt het vlameffect af tussen lage en hoge felheid. (Op de display staat FP)
		-	Uit	Hiermee wordt het vlameffect uitgezet. Als de verwarming aanstaat, wordt de display geactiveerd en blijft actief om de ingestelde temperatuur af te kunnen lezen en te laten zien of het product op LOW HEAT/HIGH HEAT/COOL BLOW staat.
D		Kleurthema		'Kleurthema's' is een instelling waarmee u de kleur van het brandstofbed wijzigt. Er zijn acht verschillende thema's
			Thema 1	Thema 1 is een 'Demo Mode'. Met deze instelling bladert u door alle kleurinstellingen. U kunt deze demo 'pauzeren' door op de 'Brightness-knop' te drukken / * waarna de display het volgende weergeeft .P om het 'pauzeren' op te heffen' drukt u op de 'Brightness-knop' / * waarna de display het volgende weergeeft .L
		2-8	Thema 2-8	Thema's 2-8 zijn vooraf ingestelde kleuren die hetzelfde blijven.
E		-	Helderheid	Met deze knop schakelt u in thema's 2-8 tussen volledige felheid en halve felheid. Deze knop is ook interactief met het product wanneer een thema wordt ingesteld zoals hierboven beschreven
F		Verwarmen		Met de 'HEAT' knop doorloopt de eenheid achtereenvolgens 4 instellingen: LOW HEAT, HIGH HEAT, COOL BLOW en OFF. De warmte-instelling wordt aangegeven met een icoon in de zwevende display zie Afb. 2. Als het vlameffect op 'ON' staat, gaat de zwevende display na 5 seconden uit, als de verwarming echter onafhankelijk van het vlameffect wordt gebruikt. Het icoon 'low heat' of 'high heat' is constant zichtbaar op de zwevende display.
			Low Heat	Op deze instelling staat de verwarming op 'LOW HEAT', deze instelling wordt aangegeven door de icoon 'LOW HEAT' en de letters 'LO' verschijnen op de display. (Deze icoon is Oranje van kleur)
			High Heat	Deze icoon op de drijvende display geeft 'HIGH HEAT' aan, deze instelling wordt aangegeven door de icoon 'HIGH HEAT' en de letters 'HI' verschijnen op de display. (Deze icoon is Rood van kleur)
			Cool Blow	Deze icoon op de drijvende display geeft 'COOL BLOW' aan, deze instelling wordt aangegeven door de icoon 'COOL BLOW' en de letters 'CO' verschijnen op de display. (Deze icoon is Blauw van kleur)
		-	Uit	Hiermee worden de verwarming en de blower 'OFF' gezet, er verschijnt geen icoon op de drijvende display. Opgelet: de blower blijft 10-20 seconden blazen nadat hij is uitgezet om ervoor te zorgen dat het product veilig afkoelt.
G		-	Temp Down	Meerdere keren indrukken om de temperatuur met stappen van 1 °C te verhogen. De laagste temperatuur die ingesteld kan worden is 5 °C. Let op: Once you stop at your desired temperature this will flash 3 times, then the display will show the room temperature as detected by the product. Als de ingestelde temperatuur lager is dan de gedetecteerde kamertemperatuur, wordt de verwarming niet geactiveerd.
H		-	Temp Up	Meerdere keren indrukken om de temperatuur met stappen van 1 °C te verhogen. De hoogste temperatuur die ingesteld kan worden is 37 °C. Let op: Once you stop at your desired temperature this will flash 3 times, then the display will show the room temperature as detected by the product. Als de ingestelde temperatuur lager is dan de gedetecteerde kamertemperatuur, wordt de verwarming niet geactiveerd.

Gebruikersmodussen:

Modusnaam/omschrijving	Actie (Acties kunnen niet met de afstandsbediening ingesteld worden)
Veranderen Celsius (° C) naar Fahrenheit (° F)	Druk op alletwee 3 Dot knop (•••) en 2 Dot (••) op de eenheid en houd ingedrukt totdat er een piepje hoorbaar is en de display knippert. (Herhaal deze actie om terug te gaan naar Celsius)
Verwarmingsopties inschakelen/uitschakelen	Houdt alle twee 1 Dot knop (•) en Flame knop () op de eenheid 2 seconden ingedrukt houden. Als de verwarming is uitgeschakeld staat er "—" op de display en piept deze. Om verwarming in te schakelen herhaalt u deze actie.

Plaatsing product Zie afb. 4 - 11

Er zijn drie mogelijke plaatsingsmethoden

1. Plaatsen op oppervlak
2. Gedeeltelijk verzonken (niet bij 74"-modellen)
3. Verzonken

Plaatsen op oppervlak (34"- en 74"-modellen)- Zie afb. 4 & 5

⚠ LET OP: Er zijn twee personen nodig voor verschillende stappen van deze procedure.

⚠ WAARSCHUWING: Zorg ervoor dat de stroom van het circuit waarop de kachel wordt geplaatst is uitgeschakeld via het servicepaneel tot de installatie is voltooid.

1. Bepaal de plaatsingslocatie van de eenheid, zodat de wandbeugel bevestigd kan worden met een minimumaantal wandbouten voor de 34"-modellen en 4 bouten voor de 74"-modellen

! OPMERKING: We raden u aan om de wandbeugel op 56 in. (142 cm) afstand van de grond te bevestigen om een optimaal zicht op de vlam te behouden.

2. Houd de bevestigingsbeugel, met de waterpas bovenop, tegen de wand zodat de bel van de waterpas is gecentreerd tussen de twee zwarte lijnen.
3. Markeer de 4 schroeflocaties op de wand en zorg ervoor dat de muurbeugel waterpas blijft (afb. 4), gemarkeerd als (A).
4. Op locaties waar de schroeven in gipsplaten worden geschroefd, bevestigt u eerst de meegeleverde muurankers voordat u de schroef bevestigt (boor eerst gaten indien nodig).
5. Bevestig de wandbeugel aan de wand met de meegeleverde 1 ½ in. (3,8 cm) schroeven en afdichtingsringen in de wand en/of wandankers.
6. Bevestig de onderste steunbeugel aan wand op een gecentreerde positie ten opzichte van de wandbeugel, via de geschikte bevestigingsmiddelen, 13 ¾" (350 mm) onder de wandbeugel (afb. 4), gemarkeerd als (B).
7. Verwijder de middelste schroef uit de onderkant van de kachel. (Afb. 5)
8. Hang de kachel op aan de beugel.
9. Plaats de eerder verwijderde schroef via de onderste steunbeugel in de kachel.
10. Raadpleeg de paragraaf voor plaatsing van het glas aan de voorkant voor de laatste installatiestappen.

Plaatsen op oppervlak (50"-modellen) - Zie afb. 6 & 7

⚠ LET OP: Er zijn twee personen nodig voor verschillende stappen van deze procedure.

1. Kies een locatie met een minimum van twee wandbouten voor de bevestiging.
2. Kies uw manier van stroomvoorziening voor het product:
 - Sluit aan op een bestaand stopcontact of plaats een stopcontact in de buurt.
 - Sluit de kachel aan.

⚠ WAARSCHUWING: Probeer niet zelf nieuwe wandcontactdozen te plaatsen of circuits aan te leggen. Om het risico op brand, elektrische schok of letsel te voorkomen, kunt u het best altijd een erkende elektricien inhuren.

⚠ WAARSCHUWING: Zorg ervoor dat de stroom van het circuit waarop de kachel wordt geplaatst is uitgeschakeld via het servicepaneel tot de installatie is voltooid.

3. Verwijder het gedeeltelijk reflecterend glas uit de kachel:
 - leg de kachel op zijn rug.
 - Verwijder de twee kruiskopschroeven uit elk van de twee glasbeugels (afb. 6), gemarkeerd me (A).
 - Verwijder de glasbeugels (afb. 6), gemarkeerd (B).
 - Houd met één hand de druk op het gedeeltelijk reflecterend glas, kantel de kachel rechtop en lichtjes naar voren om ervoor te zorgen dat het gedeeltelijk reflecterend glas uit de omlijsting valt.
- ⚠ LET OP:** Gedeeltelijk reflecterend glas is niet gehard. Laat gedeeltelijk reflecterend glas niet vallen en stoot er niet mee om breken en persoonlijk letsel te voorkomen.
- Verwijder het gedeeltelijk reflecterend glas uit de kachel.
4. Positioneer de kachel op een wand in de positie waarop deze wordt bevestigd (afb. 7). Gebruik de meegeleverde waterpas om ervoor te zorgen dat de kachel waterpas staat op de wand.
 5. Controleer of er ten minste twee sleutelgaten uitgelijnd zijn met een wandbout (de sleutelgaten bevinden zich op 4 in. (10,2 cm)) (afb. 7) gemarkeerd met (A), markeer de locatie van vier schroeven op de wand (via sleutelgaten).
 6. Verwijder de kachel van de wand en plaats deze op een veilige plek waar niemand langskomt.
 7. Op de plekken waar de gemarkeerde schroeflocaties niet zijn uitgelijnd met een wandbout, plaatst u (schroeft u) een van de twee meegeleverde wandankers (boor eerst gaten indien nodig). Herhaal dit als slechts twee schroeven zijn uitgelijnd met een wandbout.
 8. Schroef alle vier de meegeleverde 8, 1 ½ in. (3,8 cm) vierkante kopschroeven en afdichtingsringen in de wand en/of wandankers, waarbij u ¼ in. (6,5 mm) vrij laat.
 9. Lijn de gekozen sleutelgaten uit met de schroeven en hang de kachel aan de wand. De schroefkoppen en afdichtingsringen passen door de sleutelgaten, en de kachel glijdt op zijn plek (de schroeven glijden in het smalle deel van de sleutelgaten).
 10. Schroef alle vier de wandbouten vast op het kachelchassis.
 11. Schroef de twee meegeleverde 3,8 cm vierkante kopschroeven door een van de twee permanente bevestigingsgaten (afb. 7), met (C) gemarkeerd, die uitlijnen met een wandbout.
 12. Vervang en plaats het gedeeltelijk reflecterende glas en de glasbeugels met schroeven via stap 1.
 13. Raadpleeg de paragraaf voor plaatsing van het glas aan de voorkant voor de laatste installatiestappen.

Gedeeltelijk verzonken (niet mogelijk bij 74"-modellen) - Zie afb. 8 & 9

⚠ LET OP: Er zijn twee personen nodig voor verschillende stappen van deze procedure.

1. Bereid een muur voor met een gekadreeerde opening voor het juiste model (afb. 8)
 - 34"-modellen: 30 ½ in. (77,5 cm) breed x 16 ½ in. (42 cm) hoog
 - 50"-modellen: 46 ½ in. (118,1 cm) breed x 16 ½ in. (42 cm) hoog

! OPMERKING: Bij het formaat is rekening gehouden met een afwijking van ¼ in. (6,4 mm) rondom de kachel voor een eenvoudigere installatie. Voor deze kachel is geen aanvullende ventilatie nodig.

2. Kies uw manier van stroomvoorziening voor het product:
 - Sluit aan (u kunt het stroomsnoer via de gekadreeerde muuropening naar een bestaand stopcontact leiden of een stopcontact installeren in de buurt op de wang).
 - Sluit de kachel aan.

⚠ WAARSCHUWING: Probeer niet zelf nieuwe wandcontactdozen te plaatsen of circuits aan te leggen. Om het risico op brand, elektrische schok of letsel te voorkomen, kunt u het best altijd een erkende elektricien inhuren.

⚠ WAARSCHUWING: Zorg ervoor dat de stroom van het circuit waarop de kachel wordt geplaatst is uitgeschakeld via het servicepaneel tot de installatie is voltooid.

3. Til de kachel op en plaats deze in de opening (afb. 9).
4. Gebruik de meegeleverde waterpas om de kachel waterpas te zetten in de omlijsting. Pas aan waar nodig.
5. Plaats de vier meegeleverde bevestigingsschroeven in de vier gaten in elke hoek van het kachelchassis, en schroef ze in de wandbouten (afb. 9).
6. Raadpleeg de paragraaf voor plaatsing van het glas aan de voorkant voor de laatste installatiestappen.

Verzonken - Zie afb. 10 & 11

⚠ LET OP: Er zijn twee personen nodig voor verschillende stappen van deze procedure.

1. Bereid een muur voor met een gekadreeerde opening voor het juiste model (afb. 10)
 - 34"-model: 33 in. (83,8 cm) breed x 18 ½ in. (47 cm) hoog
 - 50"-model: 49 in. (124,5 cm) breed x 18 ½ in. (47 cm) hoog
 - 74"-model: 73 in. (185,4 cm) breed x 18 ½ in. (47 cm) hoog

! OPMERKING: We raden u aan om de onderkant van de eenheid niet hoger dan 40 in. (102 cm) van de grond te bevestigen om een optimaal zicht op de vlam te behouden.

⚠ WAARSCHUWING: Probeer niet zelf nieuwe wandcontactdozen te plaatsen of circuits aan te leggen. Om het risico op brand, elektrische schok of letsel te voorkomen, kunt u het best altijd een erkende elektricien inhuren.

⚠ WAARSCHUWING: Zorg ervoor dat de stroom van het circuit waarop de kachel wordt geplaatst is uitgeschakeld via het servicepaneel tot de installatie is voltooid.

2. Til de kachel op en plaats deze in de opening. De bevestigingsrand van de kachel moet verzonken zijn in de wand (afb. 11).
3. Gebruik de meegeleverde waterpas om de kachel waterpas te zetten met de omlijsting, pas aan waar nodig.
4. Plaats de vier meegeleverde bevestigingsschroeven in de vier gaten aan de binnenkant van het kachelchassis, en schroef ze in de wandbouten (afb. 11).
5. Raadpleeg de paragraaf voor plaatsing van het glas aan de voorkant voor de laatste installatiestappen.

Plaatsing glas aan de voorkant- Zie afb. 12 & 13

1. Giet en verspreid de meegeleverde middelen gelijkmatig uit over de bak van de kachel (afb. 12).
2. Bevestig het glas aan de voorkant voorzichtig, zodat de haken van het glas van de voorkant op de bevestiging van de kachel hangen (afb. 12).
3. Gebruik de meegeleverde vier kruiskopschroeven om de lipjes van het glas vast te schroeven aan de kachel (afb. 13).

Afstandsbediening - Zie Fig. 3

Het maximumbereik voor gebruik is ~5 meter.

OPMERKING: Het duurt even voordat de ontvanger reageert op de transmitter.

OPMERKING: De ontvanger voor de afstandsbediening bevindt zich in de display, richt de afstandsbediening hierop bij het invoeren van commando's.

De knoppen niet meer dan een keer per twee seconden indrukken voor de juiste werking.

Batterij-informatie - Zie Fig. 3

1. Verwijder de doorzichtige strip bij de batterij onderaan de afstandsbediening die ervoor zorgt dat de afstandsbediening volledig opgeladen is, om hem te activeren.

2. Draai om de batterij van de afstandsbediening te vervangen deze om en volg het diagram dat is aangebracht op de afstandsbediening.

3. Gebruik alleen CR2025 of CR2032 batterijen.

Thermische beveiliging

De ingebouwde oververhittingsbeveiliging schakelt het apparaat automatisch uit in het geval van problemen! Schakel als dit gebeurt het apparaat uit of haal de stekker uit het stopcontact.

Verwijder alle belemmeringen die tot de oververhitting geleid zouden kunnen hebben. Na een korte afkoelperiode kan het apparaat weer gebruikt worden! Neem contact op met uw plaatselijke dealer als dit probleem zich weer voordoet!

WAARSCHUWING: Dit apparaat mag niet via een extern schakelapparaat, zoals een timer, worden gevoed of aangesloten worden op een circuit dat regelmatig door de nutsvoorziening aan en uit wordt gezet, om risico te vermijden door het per ongeluk resetten van de thermische afsluiting.

Onderhoud

⚠ WAARSCHUWING: HAAL ALTIJD DE STEKKER UIT HET STOPCONTACT ALVORENS AAN ONDERHOUDWERKZAAMHEDEN TE BEGINNEN.

Light Emitting Diode

Deze haard is uitgerust met led (Light Emitting Diode) lampen. Deze led-lampen zijn onderhoudsvrij en hoeven niet vervangen te worden gedurende de levensduur van het product.

Reinigen

⚠ WAARSCHUWING: HAAL ALTIJD DE STEKKER UIT HET STOPCONTACT ALVORENS DE VERWARMING SCHOON TE MAKEN.

Gebruik voor normaal reinigen een zachte, schone stofdoek - gebruik nooit schuurmiddelen. Het glazen scherm dient zorgvuldig schoongemaakt te worden met een zachte doek. GEEN bedrijfseigen ruitenreinigers gebruiken.

Voor het verwijderen van stofophopingen of pluis kan soms de zachte opzetborstel van de stofzuiger gebruikt worden om het rooster van de fan schoon te maken.

WAARSCHUWING: het product niet gebruiken zonder dat het rooster en het buitenste glas op hun plaats zitten aangezien dit van invloed kan zijn op de werking van de verwarming.

Recyclen

Voor elektrische producten die binnen de Europese Gemeenschap worden verkocht. Aan het einde van de levensduur van de elektrische producten, mag deze niet worden weggegooid bij het huishoudvuil. Recycle waar faciliteiten aanwezig zijn. Vraag aan de plaatselijke autoriteit of winkelier wat de recyclerichtlijnen in uw land zijn.



Aftersales service

Neem als u aftersales service nodig hebt of reserveonderdelen wilt kopen contact op met de winkelier waar u het apparaat gekocht hebt of bel het servicenummer dat van uw land zoals vermeld op het garantiebewijs.

Het product niet direct naar ons terug sturen aangezien dit kan leiden tot verlies of schade en vertraging in het leveren van service aan u. Bewaar het bonnetje als bewijs van aankoop.

Conseils de sécurité importants

Lors de l'utilisation d'appareils électriques, toujours prendre des précautions élémentaires pour réduire les risques d'incendie, de choc électrique et de blessures corporelles, parmi lesquelles : Si l'appareil est endommagé, consulter immédiatement le fournisseur avant de procéder à l'installation et à l'utilisation. Ne pas utiliser cet appareil à proximité immédiate d'une baignoire, d'une douche ou d'une piscine.

Ne pas utiliser à l'extérieur. Cet appareil ne doit pas être placé juste au-dessus ou en dessous d'une prise ou d'un boîtier de connexion fixes.

⚠ AVERTISSEMENT : L'appareil porte le symbole d'avertissement indiquant qu'il ne doit pas être couvert ou une étiquette « Ne pas couvrir ». Ne pas couvrir ou obstruer de quelque façon que ce soit la grille de sortie de chaleur située au-dessous de la fenêtre de flamme de l'appareil. Une surchauffe surviendrait si l'appareil était accidentellement couvert. Ne pas placer de matériaux ou de vêtements sur l'appareil de chauffage ou entraver la circulation d'air autour de l'appareil avec des rideaux ou des meubles par exemple, car ceci est susceptible de causer une surchauffe et un risque d'incendie.

En cas de panne, débrancher l'appareil de chauffage. Débrancher l'appareil s'il ne doit pas être utilisé pendant une période prolongée. Le cordon d'alimentation doit être placé du côté droit de l'appareil de chauffage à distance de la sortie de chaleur située au-dessous de celui-ci.

Cet appareil peut être utilisé par des enfants âgés d'au moins 8 ans et des personnes aux capacités physiques, sensorielles ou mentales réduites ou manquant d'expérience et de connaissances, pourvu qu'ils bénéficient d'une surveillance ou d'instructions quant à l'utilisation de l'appareil de façon sécurisée et qu'ils comprennent les risques encourus. Les enfants ne doivent pas jouer avec cet appareil. Son nettoyage et son entretien ne doivent pas être effectués par des enfants laissés sans surveillance.

Les enfants âgés de moins de 3 ans doivent être tenus à distance de l'appareil, à moins qu'ils ne soient surveillés en permanence. Les enfants âgés de 3 ans et plus et de moins de 8 ans peuvent uniquement allumer/éteindre l'appareil, pourvu qu'il soit placé ou installé dans sa position d'utilisation normale, qu'ils bénéficient d'une surveillance ou d'instructions quant à l'utilisation de l'appareil de façon sécurisée et qu'ils comprennent les risques encourus. Les enfants de trois à huit ans ne doivent pas brancher, régler ou nettoyer l'appareil ou effectuer aucune des opérations de nettoyage et d'entretien réalisables par l'utilisateur.

L'appareil doit être placé de sorte que la fiche électrique soit accessible.

Bien que cet appareil respecte les normes de sécurité, nous ne recommandons pas son utilisation sur des tapis à poils profonds ou sur des tapis à poils longs.

Si le cordon d'alimentation est endommagé, le faire remplacer par le fabricant, un réparateur ou toute personne suffisamment qualifiée afin d'écartier tout risque.

AVERTISSEMENT : Afin d'éviter tout danger lié à la réinitialisation du protecteur thermique, cet appareil ne doit pas être alimenté via un dispositif à interrupteur externe, tel qu'un minuteur, ni connecté à un circuit régulièrement allumé et éteint par votre fournisseur d'électricité.

ATTENTION : certaines pièces de ce produit peuvent chauffer à haute température et causer des brûlures. Être très attentif lorsque des enfants et des personnes vulnérables sont présents.

Informations techniques

N° du modèle : BLF34EU-E, BLF3451EU-E, BLF50EU-E, BLF50UK-E, BLF5051EU-E, BLF74EU-E, BLF7451EU-E

Production de chaleur **230V 240V**

Production de chaleur nominale	P_{Nom}	1.1	-	1.2	kW
--------------------------------	-----------	-----	---	-----	----

Production de chaleur minimale	P_{min}	0.6	-	0.6	kW
--------------------------------	-----------	-----	---	-----	----

Production de chaleur continue maximale	$P_{max,c}$	1.1	-	1.2	kW
---	-------------	-----	---	-----	----

Consommation d'électricité auxiliaire

En mode veille	e_{sb}	0.47	-	0.49	W
----------------	----------	------	---	------	---

avec régulation de température ambiante électronique.

Généralités

Déballer l'appareil avec précaution et conservez l'emballage pour une éventuelle utilisation ultérieure, que ce soit pour un déménagement ou un retour du produit au fournisseur.

La cheminée est dotée d'un effet flamme pouvant être utilisé avec ou sans chauffage, de sorte qu'il est possible de bénéficier de son effet tranquilisant tout au long de l'année. L'utilisation sans chauffage ne requiert qu'une faible consommation d'électricité.

Avant de brancher l'appareil de chauffage, vérifiez que la tension d'alimentation du secteur est identique à celle indiquée sur l'appareil.

Remarque : Utilisé dans un environnement où le bruit de fond est très faible, il est possible d'entendre un son lié au fonctionnement de l'effet de flamme. Ce son est normal et ne doit pas être une source d'inquiétude.

Branchements













⚠ AVERTISSEMENT : CET APPAREIL DOIT ÊTRE MIS À LA TERRE
Cet appareil de chauffage doit être utilisé en courant alternatif uniquement et la tension d'alimentation du secteur doit correspondre à la tension indiquée sur l'appareil.

Lire attentivement les consignes de sécurité et les instructions d'utilisation avant de mettre l'appareil en marche.


Câblage fixe

Dans certaines juridictions, cet appareil est livré sans fiche et cette mesure vise à se conformer aux réglementations locales. Dans de tels cas, cet appareil doit être installé par un installateur qualifié et les moyens de désaccouplement doivent être incorporés dans le câblage fixe conformément aux règles de câblage locales.

Commandes : Voir Fig. 2 & 3

	Icône	Affichage	Fonction	Description
A		-	Marche / Veille	Appuyez une fois sur « ON » pour allumer le produit. Appuyez une seconde fois pour mettre le produit en « VEILLE » (En retournant du mode « STANDBY », le produit reviendra aux réglages précédents à moins que le produit a été débranché, auquel cas, il sera réinitialisé aux réglages d'usine)
B			Minuterie de mise en veille	Appuyez plusieurs fois pour changer « SLEEP TIMER » par incréments de 0,5 h de 0,5 h à 8,0 h avant d'arrêter. Le temps restant s'affiche sur « SLEEP TIMER ». (Cette icône est de couleur verte)
C		Effet flamme		Le bouton « FLAME EFFECT » cycle l'appareil séquentiellement par le réglage 4, LOW FLAMME, HIGH FLAME, DEMO MODE et OFF.
		F1	Flamme basse	Ce réglage exécutera l'effet de la flamme à un faible niveau de luminosité. (L'écran affiche F1)
		F2	Flamme haute	Ce réglage exécutera l'effet de la flamme à un haut niveau de luminosité. (L'écran affiche F2)
		FP	Mode démo	Ce paramètre impulse lentement l'effet de la flamme entre la luminosité basse et haute. (L'écran affiche FP)
		-	Désactivé	Cela désactivera l'effet de la flamme. Si le chauffage est en marche, l'écran s'allume et reste allumé pour afficher la température de consigne et indique si le produit est en LOW HEAT/HIGH HEAT/COOL BLOW.
D		Thème couleur		Les « Thèmes de couleur » sont des paramètres de changement de couleur du lit de combustible en huit thèmes différents
			Thème 1	Thème 1 est un « Mode démo ». Ce paramètre permet de faire défiler tous les paramètres de couleur. Vous pouvez mettre ce démo en « Pause » en appuyant sur le bouton « Luminosité » / * auquel cas l'écran affichera .P pour désactiver le mode « Pause », appuyez sur le bouton « Luminosité » / * auquel cas l'écran affichera .u
		2-8	Thème 2-8	Les Thèmes 2-8 sont des couleurs prédéfinies qui restent statiques.
E		-	Luminosité	Ce bouton commute les thèmes 2-8 entre la luminosité totale et la luminosité moyenne. Ce bouton interagit également avec le produit mis sur le thème, comme décrit précédemment ci-dessus
P		Chaleur		Bouton « HEAT » cycle l'appareil à travers les 4 paramètres : LOW HEAT, HIGH HEAT, COOL BLOW et OFF. Le réglage de la chaleur sera indiquée par une icône sur l'écran flottant. Voir Figure 2. Lorsque l'effet de la flamme est « ON », l'écran flottant s'éteint au bout de 5 secondes, si le chauffage est utilisé indépendamment de l'effet de la flamme. L'icône de chaleur basse ou chaleur élevée apparaît en permanence à l'écran flottant.
			Chaleur basse	Ce réglage active le chauffage à « LOW HEAT ». Ce réglage est indiqué par l'icône « LOW HEAT » et les lettres « LO » apparaîtront à l'écran. (Cette icône est de couleur Orange)
			Chaleur élevée	Cette icône sur l'écran flottant indique « HIGH HEAT ». Ce réglage est indiqué par l'icône « HIGH HEAT » et les lettres « HI » apparaîtront à l'écran. (Cette icône est de couleur Rouge)
			Coup de froid	Cette icône sur l'écran flottant indique « COOL BLOW ». Ce réglage est indiqué par l'icône « COOL BLOW » et les lettres « CB » apparaîtront à l'écran. (Cette icône est de couleur Bleu)
		-	Désactivé	Commute le chauffage et le ventilateur à « OFF », aucune icône sera affiché à l'écran flottant. Notez que le ventilateur fonctionne pendant 10 à 20 secondes après avoir été désactivé pour s'assurer que le produit se refroidisse en toute sécurité.
G		-	Temp Basse	Appuyez plusieurs fois pour abaisser la température de chauffage en 1 °C incrément. La température la plus basse peut être réglée à 5 °C. Remarque : Une fois que vous vous arrêtez à la température souhaitée, le système clignote trois fois, puis l'écran affiche la température ambiante détectée par le produit. Si la température de consigne est inférieure à la température ambiante détectée, le chauffage ne s'activera pas.
H		-	Temp Haute	Appuyez plusieurs fois pour augmenter la température de chauffage en 1 °C incrément. La température la plus haute peut être réglée à 37 °C. Remarque : Une fois que vous vous arrêtez à la température souhaitée, le système clignote trois fois, puis l'écran affiche la température ambiante détectée par le produit. Si la température de consigne est inférieure à la température ambiante détectée, le chauffage ne s'activera pas.

Modes utilisateur :

Nom / Description du mode	Action (Les actions ne peuvent pas être entrées par la télécommande)
Changer Celsius (°C) en Fahrenheit (°F)	Appuyez simultanément sur 3 le bouton 3 Dot (•••) et 2 Dot (••) sur l'appareil et maintenez jusqu'au retentissement du bip sonore et au clignotement de l'affichage. (Pour revenir à Celsius répétez cette action)
Désactiver / Activer les options de chaleur	Maintenez simultanément le bouton 1 Dot (•) et le bouton Flamme () sur l'appareil, pendant 2 secondes, quand le chauffage a été désactivé, l'écran affiche « - » et émet un bip. Pour activer la chaleur, répétez cette action.

Raccordement du produit - Voir Fig. 4 - 11

Il existe trois méthodes de montage possibles

1. Montage en surface
2. Encastré partiel (pas sur les modèles 74")
3. Montage affleurant

Montage de surface (Modèles 34" & 74") - Voir Fig. 4 & 5

⚠ AVERTISSEMENT : Deux personnes seront nécessaires pour les différentes étapes de cette procédure.

⚠ AVERTISSEMENT : Assurez-vous que le circuit sur lequel la cheminée doit être installé dispose d'un interrupteur électrique au niveau du panneau de service jusqu'à ce que l'installation soit terminée.

1. Déterminez l'emplacement de montage de l'appareil pour que le support de montage mural puisse être installé dans un minimum de deux montants de cloison pour les modèles 34" et 4 poteaux muraux pour les modèles 74"

! REMARQUE : Il est recommandé que le support de montage soit installé à 56 in. (142 cm) de la terre afin de maintenir un angle de vision optimale de la flamme.

2. Maintenez le support de montage mural, avec le niveau à bulle au dessus, sur le mur de sorte que la bulle sur le niveau soit centré entre les deux lignes noires.
3. Marquez les 4 emplacements des vis de fixation, sur le mur, en s'assurant que le support mural reste au niveau marqué (A) (Fig. 4).
4. Dans les endroits où les vis sont installées uniquement dans une cloison sèche, installez les chevilles fournies avant d'installer la vis (Percez à l'avance si nécessaire).
5. Fixez le support mural au mur en utilisant les vis et rondelles de montage de 1 ½ in. (3,8 cm) fournies dans le mur et / ou ancrage mural.
6. Installez le support arrière à la paroi centré avec le support de montage mural, en utilisant le matériel de montage approprié, 13 ¾" (350 mm) en dessous du support de montage marqué (B) (Fig. 4).
7. Retirez la vis centrale du fond de la cheminée. (Fig. 5)
8. Accrochez la cheminée sur le support.
9. Installez la vis retirée précédemment à travers le support arrière dans la cheminée.
10. Reportez-vous à la section d'installation du verre avant pour les procédures d'installation finale.

Montage de surface (Modèles 50") - Voir Fig. 6 & 7

⚠ AVERTISSEMENT : Deux personnes pourront être nécessaires pour les différentes étapes de cette procédure.

1. Choisissez un emplacement qui a un minimum de deux montants muraux disponibles pour le montage.
2. Choisissez votre procédé d'alimentation de l'appareil :
 - Branchez à une prise existante ou installez une prise à proximité.
 - Câblez solidement la cheminée.

⚠ AVERTISSEMENT : Ne tentez pas de brancher vos propres prises ou circuits. Pour réduire les risques d'incendie, d'électrocution ou de blessures, faites toujours recours à un électricien agréé.

⚠ AVERTISSEMENT : Assurez-vous que le circuit sur lequel la cheminée doit être installé dispose d'un interrupteur électrique au niveau du panneau de service jusqu'à ce que l'installation soit terminée.

3. Retirez le verre réfléchissant partiellement de la cheminée :
 - Posez la cheminée sur le dos.
 - Retirez les deux vis cruciformes de chacun des deux supports de verre marqué (A) (Fig. 6).
 - Retirez les support du verre marqué (B) (Fig. 6).
 - Avec une main gardant la pression sur le verre partiellement réfléchissant, inclinez la cheminée à la verticale et légèrement vers l'avant pour permettre au verre partiellement réfléchissant de tomber à l'intérieur du cadre.

⚠ AVERTISSEMENT : Le verre partiellement réfléchissant n'est pas trempé. Ne pas cogner ou laisser tomber le verre partiellement réfléchissant pour éviter les brisures et les blessures.

- Retirez le verre partiellement réfléchissant de la cheminée :
4. Positionnez la cheminée sur un mur dans la position où elle sera montée (Fig. 7). Utilisez un niveau à bulle (fourni) pour s'assurer que la cheminée est à niveau sur le mur.
 5. En s'assurant qu'au moins deux trous de serrure sont alignés avec un poteau mural (trous de serrure sont espacées de 4 in. (10,2 cm) du centre) marqué (A) (Fig. 7), marquez l'emplacement des quatre vis sur la paroi (à travers les trous de serrure).
 6. Retirez la cheminée du mur et entreposez dans un endroit sûr, loin de la circulation.
 7. Là où les emplacements des vis marqués ne sont pas alignés avec un montant mural, insérez (vissez) l'une des deux chevilles fournies (Percez d'avance si nécessaire). Répétez si seulement deux vis s'alignent avec un montant mural.
 8. Serrez les quatre vis de fixation à tête carrée #8, 1 ½ in. (3,8 cm) et rondelles fournies dans le mur et / ou l'ancrage mural laissant ¼ in. (6,5 mm) de filetage.
 9. Alignez les trous de serrure choisis avec les vis et accrochez cheminée sur le mur. Les têtes de vis et les rondelles passeront à travers les trous de serrure et la cheminée glissera en place (les vis glisseront dans la partie étroite des trous de serrure).
 10. Serrez les quatre vis de fixation vers le bas sur le châssis de la cheminée.
 11. Serrez les deux vis à tête carrée #8 à travers deux des trous de fixation permanents marqués (C) (Fig. 7) qui s'alignent avec un poteau de cloison.
 12. Remplacez soigneusement et installez les supports du verre partiellement réfléchissant verre et de verre à l'aide de vis de la première étape
 13. Reportez-vous à la section d'installation du verre avant pour les procédures d'installation finale.

Encastré partiel (pas possible sur les modèles 74") - Voir Fig. 8 & 9

⚠ AVERTISSEMENT : Deux personnes pourront être nécessaires pour les différentes étapes de cette procédure.

1. Préparer une paroi avec une ouverture encadrée pour le modèle correct (Fig. 8)
 - Modèles 34" : 30 ½ in. (77,5 cm) de large x 16 ½ in. (42 cm) de hauteur
 - Modèles 50" : 46 ½ in. (118,1 cm) de large x 16 ½ in. (42 cm) de hauteur.

! REMARQUE : La taille a permis ¼ in. (6,4 mm) autour de l'insertion de la cheminée pour faciliter l'installation. Cette cheminée ne nécessite pas de ventilation supplémentaire.

2. Choisissez votre procédé d'alimentation de l'appareil :
 - Branchez (vous pouvez exécuter le cordon d'alimentation de l'ouverture du mur encadré à une prise existante ou installer une prise sur un montant mural à proximité dans le mur).

- Câblez solidement la cheminée.

⚠ AVERTISSEMENT : Ne tentez pas de brancher vos propres prises ou circuits. Pour réduire les risques d'incendie, d'électrocution ou de blessures, faites toujours recours à un électricien agréé.

⚠ AVERTISSEMENT : Assurez-vous que le circuit sur lequel la cheminée doit être installée dispose d'interrupteur électrique au niveau du panneau de service jusqu'à ce que l'installation soit terminée.

3. Soulevez la cheminée et insérez-la dans l'ouverture (Fig. 9).
4. Utilisez un niveau à bulle (fourni) au niveau de la cheminée dans le cadrage. Ajustez au besoin.
5. Entraînez quatre vis de fixation fournies à travers les quatre trous de montage situés dans chaque coin du cadre de cheminée, dans les montants de paroi (Fig. 9).
6. Reportez-vous à la section d'installation du verre avant pour les procédures d'installation finale.

Montage affleurant - Voir Fig. 10 & 11

⚠ AVERTISSEMENT : Deux personnes seront nécessaires pour les différentes étapes de cette procédure.

1. Préparer une paroi avec une ouverture encadrée pour le modèle correct (Fig. 10)
 - Modèle 34" : 33 in. (83,8 cm) de large x 18 ½ in. (47 cm) de hauteur
 - Modèle 50" : 49 in. (124,5 cm) de large x 18 ½ in. (47 cm) de hauteur
 - Modèle 74" : 73 in. (185,4 cm) de large x 18 ½ in. (47 cm) de hauteur.

! REMARQUE : Il est recommandé que le fond de l'appareil ne soit pas monté à une hauteur supérieure à 40 in. (102 cm) à partir du sol pour maintenir l'angle de vision optimale de la flamme.

⚠ AVERTISSEMENT : Ne tentez pas de brancher vos propres prises ou circuits. Pour réduire les risques d'incendie, d'électrocution ou de blessures, faites toujours recours à un électricien agréé.

⚠ AVERTISSEMENT : Assurez-vous que le circuit sur lequel la cheminée doit être installée dispose d'interrupteur électrique au niveau du panneau de service jusqu'à ce que l'installation soit terminée.

2. Soulevez la cheminée et insérez-la dans l'ouverture La garniture de montage de la cheminée doit être alignée contre le mur (Fig. 11).
3. Utilisez le niveau à bulle fourni au niveau du foyer dans le cadrage, ajuster au besoin.
4. Entraînez quatre vis de fixation fournies à travers les quatre trous de montage situés à la surface intérieure du châssis de cheminée, dans les montants de paroi (Fig. 11).
5. Reportez-vous à la section d'installation du verre avant pour les procédures d'installation finale.

Installation du verre avant - Voir Fig. 12 & 13

1. Verser et répartir uniformément les supports fournis dans le bac d'alimentation du foyer (Figure 12).
2. Monter avec précaution l'ensemble du verre avant pour que les supports du verre avant s'accrochent sur les supports en verre avant sur la cheminée (Figure 12).
3. Utilisez les quatre vis de métal en feuille Phillips fournies pour fixer les pattes de montage de verre à la cheminée (Figure 13).

Télécommande - Voir Fig. 3

La portée maximale d'utilisation est ~ 5 mètres.

REMARQUE : Le récepteur peut prendre peu de temps pour répondre à l'émetteur.

REMARQUE : Le récepteur de la télécommande se trouve dans l'affichage. Orientez la télécommande dans cette direction lors de la saisie des commandes.

Ne pas appuyer sur les boutons plus d'une fois dans les deux secondes pour un fonctionnement correct.

Informations sur la batterie - Voir Fig. 3

1. Pour activer la télécommande, retirez la bande d'isolement de la batterie à la base de la télécommande, qui est utilisée pour que votre télécommande soit complètement chargée.
2. Pour remplacer la batterie de la télécommande, tournez la télécommande et suivez le diagramme gaufré sur celle-ci
3. Utilisez uniquement les batteries de taille CR2025 ou CR2032.

Disjoncteur thermique

La coupure intégrée de surchauffe éteint l'appareil automatiquement en cas de défaut. Si cela se produit, éteignez l'appareil ou débranchez la fiche de la prise secteur. Enlevez toutes les obstructions qui peuvent avoir provoqué une surchauffe. Après une courte phase de refroidissement, l'appareil est prêt à être utilisé à nouveau ! Si le défaut survient à nouveau, contactez votre revendeur local !

AVERTISSEMENT : Afin d'éviter tout danger lié à la réinitialisation du protecteur thermique, cet appareil ne doit pas être alimenté via un dispositif à interrupteur externe, tel qu'un minuteur, ni connecté à un circuit régulièrement allumé et éteint par votre fournisseur d'électricité.

Entretien

⚠ AVERTISSEMENT : TOUJOURS DÉBRANCHER DU SECTEUR AVANT DE RÉALISER TOUTE OPÉRATION DE MAINTENANCE.

Diode électroluminescente

L'appareil est doté de DEL (Diodes électroluminescentes). Ces indicateurs DEL sont exempts d'entretien et ne doivent pas nécessiter de remplacement pendant la durée de vie du produit.

Nettoyage

⚠ AVERTISSEMENT : TOUJOURS DÉBRANCHER L'ALIMENTATION SECTEUR AVANT DE NETTOYER L'APPAREIL DE CHAUFFAGE.

Pour un nettoyage régulier, utilisez un chiffon à poussière doux et n'utilisez jamais de produits nettoyants abrasifs. La vitre permettant de voir les flammes doit être nettoyée délicatement avec un chiffon doux.

NE PAS utiliser de produit spécifiquement conçu pour le nettoyage des vitres.

Utilisez la brosse douce d'un aspirateur de temps à autre pour nettoyer la grille du ventilateur et éliminer la poussière et les peluches qui se sont accumulées.

AVERTISSEMENT : Ne pas utiliser le produit lorsque la grille et le verre extérieur ne sont en position, car cela peut affecter le fonctionnement de l'appareil.

Recyclage

Appareils électriques vendus dans les pays de l'Union européenne. Les appareils électriques en fin de vie ne doivent pas être évacués avec les ordures ménagères. Veuillez utiliser les services de recyclage locaux. Contactez les services publics ou le fournisseur de l'appareil pour obtenir des conseils de recyclage pertinents dans votre pays.



Service après-vente

Si vous avez besoin d'un service après-vente ou si vous devez acheter des pièces de rechange, contactez le détaillant auprès duquel l'appareil a été acheté ou contactez le numéro de service correspondant à votre pays sur la carte de garantie.

Veuillez ne pas nous renvoyer un produit défectueux en premier lieu, car cela pourrait entraîner des pertes ou des dégâts et des délais pour vous fournir un service satisfaisant. Veuillez conserver votre facture comme justificatif d'achat.

Viktig sikkerhetsrådgivning

Ved bruk av elektriske apparater bør grunnleggende forholdsregler følges for å redusere faren for brann, elektrisk støt og personskade, herunder følgende:

Hvis apparatet er skadet, sjekk umiddelbart med leverandøren før installasjon og drift.

Ikke bruk dette apparatet i umiddelbar nærhet av badekar, dusj eller svømmebasseng.

Må ikke brukes utendørs.

Apparatet må ikke plasseres rett under eller over en fast stikkontakt eller tilkoblingsboks.

⚠ ADVARSEL: Varselsymbolet som indikerer at det ikke må tildekkes, eller det har et "Må ikke tildekkes" merke. Ikke tildekk eller på noen annen måte hindre varmeutgangsgitteret over flammvinduet på apparatet. Overoppheting vil oppstå hvis apparatet utilsiktet er tildekket. Ikke plasser materiale eller plagg på apparatet eller hindre luftsirkulasjonen rundt apparatet, for eksempel med gardiner eller møbler, da dette kan føre til overoppheting og brannfare.

Hvis det oppstår en feil, ta støpselet av stikkontakten. Koble fra apparatet når det ikke brukes over lengre perioder. Strømledningen må plasseres på høyre side av varmeren bort fra varmeuttaket under apparatet.

Dette apparatet kan brukes av barn fra 8 år og oppover og personer med reduserte fysiske, sensoriske eller mentale evner eller manglende erfaring og kunnskap dersom de er gitt innføring eller instruksjon om bruken av apparatet på en sikker måte og forstår farene involvert. Barn skal ikke leke med apparatet. Rengjøring og vedlikehold skal ikke gjøres av barn uten tilsyn.

Barn under 3 år skal holdes unna med mindre de er under kontinuerlig oppsyn. Barn mellom 3 og 8 år skal bare slå apparatet på eller av, forutsatt at det er plassert eller installert i sin tiltenkte, normale driftsposisjon, og at barna får tilsyn eller har fått instruksjon i bruk av apparatet på en trygg måte, og forstår farene som er involvert. Barn i alderen 3 år og under 8 år må ikke plugge inn, regulere og rengjøre apparatet eller utføre vedlikehold.

Apparatet må plasseres slik at pluggen er tilgjengelig.

Selv om dette apparatet er i samsvar med sikkerhetsstandarder, anbefaler vi ikke at det brukes på tykke filttepper eller på teppetyper med lange tråder.

Hvis strømledningen er skadet, må den skiftes ut av produsenten eller forhandleren eller tilsvarende kvalifisert person for å unngå fare.

FORSIKTIG: For å unngå farlige situasjoner på grunn av utilsiktet tilbakestilling av termisk utkobling, må ikke dette apparatet få strøm via en ekstern bryterenhet, for eksempel en tidsbryter, eller kobles til en krets som regelmessig slås av og på av andre grunner.

- Noen deler av dette produktet kan bli svært varme og forårsake forbrenninger. Vær spesielt oppmerksomhet der barn og sårbare mennesker er tilstede.

Teknisk informasjon

Modellnr: BLF34EU-E, BLF3451EU-E, BLF50EU-E, BLF50UK-E, BLF5051EU-E, BLF74EU-E, BLF7451EU-E

Varmeeffekt **230 V 240 V**

Nominell varmeeffekt	P_{Nom}	1.1	-	1.2	kW
----------------------	-----------	-----	---	-----	----

Minimum varmeeffekt	P_{min}	0.6	-	0.6	kW
---------------------	-----------	-----	---	-----	----

Maksimal kontinuerlig varmeeffekt	$P_{maks,c}$	1.1	-	1.2	kW
-----------------------------------	--------------	-----	---	-----	----

Ekstra strømforbruk

I ventemodus	eI_{SB}	0.47	-	0.49	V
--------------	-----------	------	---	------	---

med elektronisk romtemperaturkontroll

Generelt

Pakk varmeapparatet forsiktig ut, og oppbevar emballasjen for mulig fremtidig bruk, i tilfelle flytting eller at peisen skal leveres tilbake til leverandøren.

Varmeapparatet har en flammeeffekt som kan anvendes med eller uten oppvarming, slik at komforteffekten oppnås uansett årstid. Bruk av flammeeffekten alene krever lite strøm.

Før du kobler til varmeren, sjekk at nettspenningen er den samme som angitt på apparatet.

Merk: Hvis den brukes i et miljø der bakgrunnsstøyen er veldig lav, kan det være mulig å høre en lyd som er relatert til drift av flammeeffekten. Dette er normalt og er ikke en grunn til bekymring.

Elektrisk tilkobling

⚠ ADVARSEL: DETTE APPARATET MÅ JORDES

Denne varmeren må kun brukes på en vekselstrømforsyning, og spenningen som er merket på varmeren må tilsvare tilførselsspenningen.

Les sikkerhetsadvarslene og brukerinstruksjonene før apparatet slås på.

Fast tilkobling

I noen jurisdiksjoner leveres dette apparatet uten en plugg, slik at det overholder de lokale forskriftene. I slike tilfeller må dette apparatet installeres av en kvalifisert installatør, og mulighet for frakobling må være en del av den faste tilkoblingen i samsvar med de lokale regler for tilkobling.

Kontroller: Se fig. 2 og 3

	Ikon	Skjerm	Funksjon	Beskrivelse
A		-	Strøm / ventemodus	Trykk en gang for å slå produktet "PÅ". Trykk en gang til for å sette produktet inn i "VENTEMODUS" (Når det kommer tilbake fra "VENTEMODUS", går produktet tilbake til forrige innstillinger, med mindre produktet er koblet fra, i så fall vil det settes tilbake til fabrikkinnstillingene)
B			Hvilemodus	Trykk flere ganger for å endre "HVILEMODUS" i 0,5 timers trinn fra 0,5 timer til 8,0 timer før du slår av. Resterende tid på 'HVILEMODUS' vises. (Dette ikon er grønt i farge)
C		Flammeeffekt		'FLAMMEEFFEKT' knappen veksler enheten sekvensielt gjennom 4 innstillingen, LAV FLAMME, HØY FLAMME, DEMO MODUS og AV.
		F1	Lav flamme	Denne innstillingen vil sette flammeeffekten til et lavt lysstyrkenivå. (Skjermen viser F1)
		F2	Høy flamme	Denne innstillingen vil sette flammeeffekten til et høyt lysstyrkenivå. (Skjermen viser F2)
		FP	Demo modus	Denne innstillingen vil langsomt pulsere flammeeffekten mellom lav og høy lysstyrke. (Skjermen viser FP)
		-	Av	Dette vil slå av flammeeffekten. Hvis varmeren er påslått, vil skjermen aktiveres og forbli aktiv for å lese innstilt temperatur og vise om produktet er på LAV VARME / HØY VARME / KJØLEVIFTE.
D		Fargetema		'Fargetemaer' er innstillinger som endrer fargen på drivstoffbunnen, det er åtte forskjellige temaer
			Tema 1	Tema 1 er et 'Demo Modus'. Denne innstillingen vil rulle gjennom alle fargeinnstillingene. Du kan 'Pause' denne demomodusen ved å trykke på 'Lysstyrkeknappen' / * i så fall vil skjermen vise .P for å 'Slå av pause', trykk på 'Lysstyrkeknappen' / * i så fall vil skjermen vise .u
		2-8	Tema 2-8	Temaer 2-8 er forhåndsdefinerte farger som forblir statiske.
E		-	Lysstyrke	Denne knappen bytter temaer 2-8 mellom full lysstyrke og halv lysstyrke. Denne knappen interagerer også med produktet når det er satt på tema som omtalt ovenfor
F		Varme		'VARME' -knappen stepper enheten gjennom de fire innstillingene i rekkefølge: LAV VARME, HØY VARME, KJØLEVIFTE og AV. Varmeinnstillingen vil bli indikert med et ikon på den flytende skjermen, se figur 2. Når flammeeffekten er "PÅ", slår den flytende skjermen seg av etter 5 sekunder, uansett om ovnen brukes uavhengig av flammeeffekten. Ikonet med lav varme eller høy varme vises kontinuerlig på den flytende skjermen.
			Lav varme	Denne innstillingen vil kjøre varmeren på 'LAV VARME'. Denne innstillingen vil vises med 'LAV VARME' ikonet og bokstavene 'LO' vises i displayet. (Dette ikonet er oransje i farge)
			Høy varme	Denne ikonet i på den flytende skjermen indikerer 'HØY VARME'. Denne innstillingen vil bli indikert med 'HØY VARME' ikonet og bokstavene 'HI' vises i displayet. (Dette ikonet er rødt i farge)
			Kjølevifte	Denne ikonet i på den flytende skjermen indikerer 'KJØLEVIFTE'. Denne innstillingen vil bli vist med 'KJØLEVIFTE' ikonet og bokstavene 'CB' vises i displayet. (Dette ikonet er blått i farge)
		-	Av	Denne setter varmeren og viften til 'AV', intet ikon vil bli vist på den flytende skjermen Merk at viften vil gå i 10-20 sekunder etter at den er slått av for å sikre at produktet kjøler seg trygt ned.
G		-	Temperatur ned	Trykk flere ganger for å senke varmertemperaturen i 1°C trinn. Den laveste temperaturen som kan stilles inn 5°C. Merk: Når du stopper ved ønsket temperatur vil denne blinke 3 ganger, deretter viser skjermen romtemperaturen som måles av produktet. Hvis innstilt temperatur er lavere enn den målte romtemperaturen, vil varmeapparatet ikke aktiveres.
H		-	Temperatur opp	Trykk flere ganger for å heve varmertemperaturen i 1°C trinn. Den høyeste temperaturen som kan settes er 37°C. Merk: Når du stopper ved ønsket temperatur vil denne blinke 3 ganger, deretter viser skjermen romtemperaturen som måles av produktet. Hvis innstilt temperatur er lavere enn den målte romtemperaturen, vil varmeapparatet ikke aktiveres.

Brukertilstander:

Modusnavn / beskrivelse	Handling (Handlinger kan ikke legges inn med fjernkontrollen)
Endre Celsius (°C) til Fahrenheit (°F)	Trykk på begge 3 prikk-knappene (•••) og 2 prikk (••) på enheten, og vent til pipet høres og skjermen blinker. (For å gå tilbake til Celsius, gjenta denne handlingen)
Deaktiver / aktiver varmeralternativer	Hold både 1 prikk-knapp (•) og flammeknappen () på enheten i 2 sekunder, når varmeren er deaktivert vil skjermen vise "--" og pipe. For å aktivere varme gjenta denne handlingen.

Monterng av produkt - se fig. 4 - 11

Det er tre mulige monteringsmetoder

1. Overflatemontering
2. Delvis innfelt (ikke på 74" modeller)
3. Glattliggende

Overflatemontering (34" og 74" modeller) - se fig. 4 & 5

⚠ FORSIKTIG: Det kreves to personer for ulike trinn i denne prosedyren.

⚡ ADVARSEL: Kontroller at kretsen som peisen skal installeres på, har slått av strømmen på servicepanelet til installasjonen er ferdig.

1. Bestem monteringsstedet til enheten slik at veggmonteringsbraketten kan monteres på minst 2 veggkroker for 34" modeller og 4 veggkroker for 74" modellene

! MERK: Det anbefales at monteringsbraketten monteres 142 cm (56 in.) fra bakken for å opprettholde en optimalisert synsvinkling av flammen.

2. Hold veggmonteringsbraketten mot veggen, med vateret på toppen, slik at boblen i vateret er sentrert mellom de to svarte linjene.
3. Marker de 4 monteringsskruene på veggen, og sørg for at veggbraketten holder seg i vater (fig. 4) merket (A).
4. På steder der skruene skal installeres i kun gips, må du installere de medfølgende veggankrene før du installerer skruen (forboring hvis nødvendig).
5. Fest veggbraketten til veggen ved hjelp av den medfølgende 3,8 cm (1½ in.) monteringskrue og skiver på veggen og / eller vegganker.
6. Monter bunnstøttebraketten på veggen sentrert med veggmonteringsbraketten, med riktig monteringsutstyr, 350 mm (13¾ in.) under veggmonteringsbraketten (figur 4) merket (B).
7. Fjern senterkrue fra bunnen av peisen. (fig. 5)
8. Heng peisen fra braketten.
9. Monter den tidligere fjernede skruen gjennom bunnstøtten i peisen.
10. Se avsnittet om frontglassinstallasjon for de siste installasjonsprosedyrer.

Overflatemontering (50" modeller) - se fig. 6 & 7

⚠ FORSIKTIG: Det kan kreves to personer for ulike trinn i denne prosedyren.

1. Velg et sted som har minst to veggkroker tilgjengelig for montering.
2. Velg metode for å levere strøm til enheten:
 - Koble til et eksisterende uttak eller installer et stikkontakt i nærheten.
 - Monter ledninger i peisen.

⚡ ADVARSEL: Ikke forsøk å lage dine egne nye uttak eller strømkretser. For å redusere faren for brann, elektrisk støt eller personskade, bruk alltid en autorisert elektriker.

⚡ ADVARSEL: Kontroller at kretsen som peisen skal installeres på, har slått av strømmen på servicepanelet til installasjonen er ferdig.

3. Fjern det delvis reflekterende glasset fra peisen:
 - Legg peisen på ryggen.
 - Fjern to kryssspor (Phillips) skruer fra hver av de to glassbeslagene (fig. 6) merket (A).

- Fjern glassbeslagene (figur 6) merket (B).

- Med en hånd som holder trykket på det delvis reflekterende glasset, vipp opp peisen i oppreist stilling og litt fremover slik at det delvis reflekterende glasset faller ut av den innvendige innrammingen.

⚠ FORSIKTIG: Det delvis reflekterende glasset er ikke herdet. For å unngå brudd og personskade, ikke støt eller slipp det delvis reflekterende glasset.

- Fjern det delvis reflekterende glasset fra peisen.

4. Plasser peisen på en vegg i den posisjonen der den skal monteres (figur 7). Bruk et vater (ett følger med) for å sikre at peisen ligger rett på veggen.
5. Forsikre deg om at minst to monteringshull ligger på linje med en veggkrok (monteringshullene har intervaller på 10,2 cm (4 in.)) (fig. 7) merket (A), merk plasseringen av fire skrueløsninger på veggen (gjennom monteringshull).
6. Fjern peisen fra veggen og oppbevar på et trygt sted borte fra ferdsel.
7. Når merkede skruer ikke ligger på linje med en veggkrok, sett inn (skru inn) et av de to medfølgende veggankrene (forbor om nødvendig). Gjenta hvis bare to skruer ligger på linje med en veggkrok.
8. Skru alle de fire medfølgende #8, 3,8 cm (1½ in.) monteringskrue og skiver opp på veggen og / eller vegganker ¼ ved å la det være synlig 6,5 mm med gjenger.
9. Juster valgte monteringshull med skruer og heng peisen på veggen. Skruer og skiver vil passe i monteringshull og peisen skyves ned på plass (skruene vil gli inn i den smale delen av monteringshullene).
10. Trekk alle fire monteringskrue ned på peischassiset.
11. Skru de to medfølgende #8 kvadratiske skruene gjennom to av de permanente monteringshullene (fig. 7) merket (C) som ligger på linje med en veggkrok.
12. Erstatt og installer forsiktig de delvis reflekterende glass og glassbeslag med skruer fra trinn 1.
13. Se avsnittet om frontglassinstallasjon for de siste installasjonsprosedyrer.

Delvis innfelt (ikke mulig på 74" modeller) - se fig. 8 & 9

⚠ FORSIKTIG: Det kan kreves to personer for ulike trinn i denne prosedyren.

1. Klargjør en vegg med en innrammet åpning for riktig modell (figur 8)
 - 34" modeller : 77,5 cm (30½ in.) bred x 42 cm (16½ in.) høy
 - 50" modeller : 118,1½ cm (46 in.) bred x 42 cm (16½ in.) høy

! MERK: Størrelsen har tillatt for 6,4 mm (¼ in.) rundt peisinnsetsen for enkel installasjon. Denne peisen krever ikke tilleggsventilasjon.

2. Velg metode for å levere strøm til enheten:
 - Med støpsel (du kan koble strømledningen ut av den innrammede veggåpningen til et eksisterende uttak eller installere et uttak på en nærliggende veggkrok inne i veggen).
 - Monter ledninger i peisen.

⚡ ADVARSEL: Ikke forsøk å lage dine egne nye uttak eller strømkretser. For å redusere faren for brann, elektrisk støt eller personskade, bruk alltid en autorisert elektriker.

⚡ ADVARSEL: Kontroller at kretsen som peisen skal installeres på, har slått av strømmen på servicepanelet til installasjonen er ferdig.

- Løft peisen og sett inn i åpningen (figur 9).
- Bruk vater (følger med) for å justere peisen i rammen. Juster etter behov.
- Skrue fire medfølgende monteringskruser gjennom de fire monteringshullene som befinner seg i hvert hjørne av peisrammen, inn i veggkrokene (figur 9).
- Se avsnittet om frontglassinstallasjon for de siste installasjonsprosedyrer.

Glattliggende - se fig. 10 & 11

⚠ FORSIKTIG: Det kreves to personer for ulike trinn i denne prosedyren.

- Klargjør en vegg med en innrammet åpning for riktig modell (figur 10)
 - 34" modell: 83,8 cm (33 in.) bred x 47 cm (18½ in.) høy
 - 50" modell: 124,5 cm (49 in.) bred x 47 cm (18½ in.) høy
 - 74" modell: 185,4 cm (73 in.) bred x 47 cm (18½ in.) høy

! MERK: Det anbefales at bunnen av enheten ikke monteres høyere enn 102 cm (40 in.) fra bakken for å opprettholde en optimal synsvinkling av flammen.

⚠ ADVARSEL: Ikke forsøk å lage dine egne nye uttak eller strømkretser. For å redusere faren for brann, elektrisk støt eller personskade, bruk alltid en autorisert elektriker.

⚠ ADVARSEL: Kontroller at kretsen som peisen skal installeres på, har slått av strømmen på servicepanelet til installasjonen er ferdig.

- Løft peisen og sett inn i åpningen. Peisens monteringsdeler skal ligge plant mot veggen (figur 11).
- Bruk det medfølgende vateret til å justere peisen i rammen, juster etter behov.
- Skrue fire medfølgende monteringskruser gjennom de fire monteringshullene som befinner seg på innsiden av peischassiset, inn i veggappene (figur 11).
- Se avsnittet om frontglassinstallasjon for de siste installasjonsprosedyrer.

Montering av glassfront - se fig. 12 & 13

- Hell og fordel jevnt medfølgende media i mediebrøtten i brannkassen (figur 12).
- Monter glassmontasjen forsiktig slik at de fremre glasshakene henger på forsideglassets fester på peisen (figur 12).
- Bruk de medfølgende fire krysspor (Phillips) metallskrueene for å feste glassmonteringsflikene til peisen (figur 13).

Fjernkontroll - Se fig. 3

Maksimal bruksområde er ~ 5 meter.

MERK: Det tar litt tid før mottakeren reagerer på fjernkontrollen.

MERK: Mottakeren til fjernkontrollen er plassert i skjermen, sikt fjernkontrollen i denne retningen når du legger inn kommandoer.

Ikke trykk på knappene mer enn én gang i løpet av to sekunder for riktig drift.

Batteriinformasjon - Se fig. 3

- For å aktivere fjernkontrollen, fjern fjernkontrollens isolasjonsstrimmel på undersiden av fjernkontrollen, som brukes til å sikre at fjernkontrollen når deg fulladet.
- For å skifte ut batteriet i fjernkontrollen vender du denne, og følger tegningen trykt på fjernkontrollen.
- Bruk bare batterier av typen CR2025 eller CR2032.

Varmesikkerhetsbryter

Den innebygde overopphetingsutkoblingen slår av apparatet automatisk i tilfelle feil! Skulle dette oppstå, må du slå av apparatet eller koble støpselet fra stikkkontakten. Fjern eventuelt hindringer som kan ha forårsaket overopphetingen. Etter en kort avkjølingsperiode er apparatet klart til bruk igjen! Hvis feilen oppstår igjen, ta kontakt med din lokale forhandler!

ADVARSEL: For å unngå farlige situasjoner på grunn av utilsiktet tilbakestilling av termisk utkobling, må ikke dette apparatet få strøm via en ekstern bryterenheter, for eksempel en tidsbryter, eller kobles til en krets som regelmessig slås av og på av andre grunner.

Vedlikehold

⚠ ADVARSEL: KOPLE ALLTID FRA STRØMFORSYNINGEN FØR DU UTFØRER NOE SOM HELST VEDLIKEHOLDSARBEID.

Lysdiode

Denne peisen er utstyrt med LED-lamper. Disse LED-lampene er vedlikeholdsfrie og skal ikke måtte skiftes i løpet av produktets levetid.

Rengjøring

⚠ ADVARSEL: ALLTID KOBLE FRA STRØMFORSYNINGEN FØR VARMEREN RENGJØRES.

For generell rengjøring, bruk en myk, ren støvtørre – bruk aldri slipende rengjøringsmidler. Frontglasset må rengjøres forsiktig med en myk klut.

IKKE bruk proprietære rengjøringsmidler for glass.

For å fjerne eventuelle oppsamling av støv eller lo skal det myke børstetilbehøret for en støvsuger iblant brukes til å rengjøre utløpsgitteret fra varmerens vifte.

ADVARSEL: Ikke bruk produktet uten grill og ytre glass på plass, da dette kan påvirke varmerens drift.

Resirkulering

For elektriske produkter som selges i EU. Når elektriske produkter kommer til slutten på sin levetid, skal de ikke kastes sammen med husholdningsavfall. Vennligst resirkuler der slike anlegg finnes. Sjekk med din lokale myndigheter eller forhandler for råd om resirkulering i ditt land.



Service etter salg

Skulle du trenge kundeservice eller hvis du ønsker å kjøpe noen reservedeler, vennligst kontakt forhandleren du kjøpte apparatet fra, eller ta kontakt på servicenummeret som er relevant for landet ditt på garantikortet.

Vennligst ikke returner et defekt produkt til oss i første omgang, da dette kan føre til tap eller skade og forsinkelse med å gi deg tilfredsstillende service. Ta vare på kvitteringen som kjøpsbevis.

Importanti informazioni sulla sicurezza

Quando si utilizzano apparecchiature elettriche, è necessario attenersi sempre alle precauzioni fondamentali per ridurre i rischi di incendio, scossa elettrica e lesioni personali, compreso quanto segue:

Se l'apparecchiatura è danneggiata, consultare immediatamente il fornitore prima dell'installazione e l'utilizzo.

Non utilizzare questa apparecchiatura nelle immediate vicinanze di bagno, doccia o piscina.

Non utilizzare all'esterno.

Questa apparecchiatura non deve essere collocata direttamente sopra o sotto una presa di rete o scatola di connessione.

AVVERTENZA: L'apparecchiatura riporta il Simbolo di avvertenza indicante che non deve essere coperta oppure l'etichetta Non coprire. Non coprire né ostruire in alcun modo la griglia di fuoriuscita del calore sopra la finestra della fiamma sull'apparecchiatura. Se coperta accidentalmente, l'apparecchiatura si surriscalda. Non collocare materiale o indumenti sull'apparecchiatura, né ostruire la circolazione dell'aria attorno all'apparecchiatura, ad esempio, tende o mobili, poiché ciò potrebbe provocare surriscaldamento e pericolo d'incendio.

In caso di guasto, scollegare la stufa. Scollegare l'apparecchiatura se non utilizzata per lunghi periodi di tempo. Il cavo di alimentazione deve essere posto sul lato destro della stufa, lontano dall'uscita del calore sottostante l'apparecchiatura.

Questa apparecchiatura può essere utilizzata dai bambini a partire dagli 8 anni di età e dalle persone con abilità fisiche, sensoriali o mentali ridotte o prive di esperienza e conoscenze se supervisionati o istruiti sull'uso sicuro dell'apparecchiatura e consapevoli dei pericoli connessi. I bambini non devono giocare con l'apparecchiatura. La pulizia e la manutenzione da parte dell'utente non devono essere svolte dai bambini senza supervisione.

I bambini di età inferiore ai 3 anni devono essere tenuti lontani, salvo se supervisionati costantemente. I bambini di età compresa tra i 3 e gli 8 anni possono soltanto accendere/spegnere l'apparecchiatura a condizione che siano supervisionati o che gli siano state fornite le istruzioni riguardanti l'uso sicuro dell'apparecchiatura e siano consapevoli dei pericoli connessi e che l'apparecchiatura sia collocata o installata nella posizione di esercizio prevista. I bambini di età compresa tra 3 e 8 anni non devono collegare, regolare e pulire l'apparecchiatura o eseguire la manutenzione da parte dell'utente.

Questa apparecchiatura deve essere posizionata in modo tale che la presa di rete risulti accessibile.

Sebbene questa apparecchiatura sia conforme agli standard di sicurezza, se ne sconsiglia l'utilizzo sopra una pila di tappeti o su tappeti a pelo lungo.

Se il cavo di alimentazione è danneggiato, deve essere sostituito dal produttore o dall'addetto di assistenza o personale qualificato al fine di evitare qualsiasi pericolo. **ATTENZIONE:** Al fine di evitare un pericolo dovuto alla reimpostazione involontaria dell'esclusione termica, questa apparecchiatura non deve essere alimentata attraverso un dispositivo di commutazione esterno, quale un temporizzatore, né connessa a un circuito che sia regolarmente attivato/disattivato dall'utenza.

ATTENZIONE - Alcune parti di questo prodotto possono diventare molto calde e causare ustioni. È necessario prestare particolare attenzione in caso di presenza di bambini o persone vulnerabili.

Informazioni tecniche

Modello N.: BLF34EU-E, BLF3451EU-E, BLF50EU-E, BLF50UK-E, BLF5051EU-E, BLF74EU-E, BLF7451EU-E

Potenza riscaldamento **230V 240 V**

Potenza riscaldamento nominale	P_{Nome}	1.1	-	1.2	kW
--------------------------------	------------	-----	---	-----	----

Potenza riscaldamento minima	P_{min}	0.6	-	0.6	kW
------------------------------	-----------	-----	---	-----	----

Potenza riscaldamento continuo max	$P_{max,c}$	1.1	-	1.2	kW
------------------------------------	-------------	-----	---	-----	----

Consumo elettrico ausiliario

In modalità stand-by	$e_{l_{SB}}$	0.47	-	0.49	W
----------------------	--------------	------	---	------	---

con controllo della temperatura ambiente elettronico

Generale

Disimballare la stufa con attenzione e conservare la confezione per uso futuro, in caso di trasloco o di restituzione dell'apparecchiatura al fornitore.

La stufa integra un effetto fiamma, che può essere utilizzato con o senza riscaldamento, al fine di poter usufruire dell'atmosfera del fuoco in qualsiasi periodo dell'anno. L'utilizzo del solo effetto fiamma richiede poca energia elettrica.

Prima di collegare l'apparecchiatura, verificare che la tensione di rete sia quella riportata sulla stufa.

Nota: se l'apparecchiatura è utilizzata in un ambiente pressoché privo di rumore di fondo, potrebbe essere udibile un rumore connesso al funzionamento dell'effetto fiamma. Ciò è una condizione normale e non deve destare preoccupazione.

Collegamento elettrico

AVVERTENZA: QUESTA APPARECCHIATURA DEVE ESSERE COLLEGATA A TERRA

Questa stufa deve essere utilizzata esclusivamente con alimentazione CA ~ e la tensione riportata sulla stufa deve corrispondere a quella dell'alimentazione di rete.

Prima di accendere la stufa, leggere attentamente le avvertenze di sicurezza e le istruzioni d'uso

Cablaggio fisso

In alcune giurisdizioni quest'apparecchiatura è fornita senza spina, per conformità con le normative locali. In tali circostanze, la stufa deve essere installata da personale qualificato e prevedere un dispositivo di scollegamento incorporato nel cablaggio fisso, in accordo con le normative elettriche locali.

Comandi: Vedere Fig. 2 e 3

	Icona	Schermo	Funzione	Descrizione
A		-	Accensione / Standby	Premere una volta per accendere (ON) il prodotto. Premere una seconda volta per porre la stufa in modalità STANDBY (Quando la stufa esce dalla modalità STANDBY, tornerà alle impostazioni precedenti, a meno che non sia stata disconnessa dalla presa di rete, nel qual caso si ripristinerà alle impostazioni di fabbrica)
B			Temporizzatore spegnimento (Sleep Timer)	Premere più volte per modificare il temporizzatore SLEEP TIMER in incrementi di 0,5 ore, da 0,5 ore a 8,0 ore prima dello spegnimento. Sarà visualizzato il tempo rimanente su SLEEP TIMER. (Questa icona è di colore verde)
C		Flame Effect (Effetto fiamma)		Il pulsante FLAME EFFECT (Effetto fiamma) consente di eseguire la sequenza ciclica dell'apparecchiatura su 4 impostazioni, LOW FLAME (Fiamma bassa), HIGH FLAME (Fiamma alta), DEMO MODE (Modalità demo) e OFF (Spento).
		F1	Fiamma bassa	Con questa impostazione l'effetto fiamma funzionerà con il livello di luminosità inferiore. (Il display visualizza F1)
		F2	Fiamma alta	Con questa impostazione l'effetto fiamma funzionerà con il livello di luminosità elevato. (Il display visualizza F2)
		FP	Modalità demo	Con questa impostazione l'effetto fiamma pulserà tra luminosità bassa e alta. (Il display visualizza FP)
		-	Off (Ceppi spenti)	Con questa impostazione l'effetto fiamma viene spento. Se la stufa è in funzione, il display si attiva e rimarrà attivo per la lettura della temperatura impostata e mostrerà se il prodotto si trova nella modalità LOW HEAT (Calore basso)/HIGH HEAT (Calore alto)/COOL BLOW (Ventola a freddo).
D		Tema di colore		I "Temi di colore" sono impostazioni che variano il colore del letto di braci; sono disponibili otto temi diversi
			Tema 1	Il Tema 1 è una modalità dimostrativa che consente di scorrere tutte le impostazioni di colore; è possibile "sospendere" questa modalità dimostrativa premendo il pulsante "Brightness" (Luminosità) / * nel qual caso il display visualizzerà la dicitura 1.P per "riprendere", premere il pulsante "Brightness" / * nel qual caso il display visualizzerà la dicitura 1.L
		2-8	Temi da 2 a 8	I Temi da 2 a 8 sono preimpostazioni di colore fisso.
E		-	Brightness (Luminosità)	Questo pulsante consente di commutare i temi da 2 a 8 tra luminosità piena e mezza luminosità. Questo pulsante consente inoltre di interagire con il prodotto quando impostato sul tema, come descritto in precedenza
F		Heat (Calore)		Il pulsante HEAT (calore) consente di eseguire il ciclo sequenziale dell'unità su 4 impostazioni: LOW HEAT (Calore basso), HIGH HEAT (Calore alto), COOL BLOW (Ventola a freddo) e OFF (Spento). L'impostazione di calore sarà indicata da un'icona sul display mobile, vedere Fig. 2. Quando l'effetto fiamma è acceso (ON), il display mobile si spegnerà dopo 5 secondi, a prescindere dall'uso della stufa in modo indipendente dall'effetto fiamma. L'icona calore basso o calore alto apparirà continuamente sul display mobile.
			Calore basso	Questa impostazione farà funzionare la stufa in modalità LOW HEAT e sarà indicata dalla relativa icona e dalle lettere LO visualizzate sul display. (Questa icona è di colore arancione)
			Calore alto	Questa icona sul display mobile indica HIGH HEAT (Calore alto). Questa impostazione è indicata dalla relativa icona e dalle lettere HI visualizzate sul display. (Questa icona è di colore rosso)
			Ventola a freddo	Questa icona sul display mobile indica COOL BLOW (Ventola a freddo). Questa impostazione è indicata dalla relativa icona e dalle lettere CB visualizzate sul display. (Questa icona è di colore blu)
		-	Off (Ceppi spenti)	Questo spegne la stufa e la ventola (OFF) e non viene visualizzata alcuna icona sul display mobile. Si osservi che la ventola funzionerà per 10-20 secondi dopo lo spegnimento della stufa, al fine di garantire il raffreddamento sicuro dell'unità.
G		-	Temp Down (Riduzione temperatura)	Premere più volte per abbassare la temperatura della stufa in incrementi di 1°C. La temperatura più bassa impostabile è di 5°C. Nota: Una volta raggiunta la temperatura desiderata, questo lampeggerà 3 volte, quindi sul display sarà visualizzata la temperatura ambiente, così come rilevata dall'unità. Se la temperatura impostata è inferiore a quella ambiente rilevata, la stufa non si attiverà.
H		-	Temp Up (Aumento temperatura)	Premere più volte per aumentare la temperatura della stufa in incrementi di 1°C. La temperatura più alta impostabile è di 37°C. Nota: Una volta raggiunta la temperatura desiderata, questo lampeggerà 3 volte, quindi sul display sarà visualizzata la temperatura ambiente, così come rilevata dall'unità. Se la temperatura impostata è inferiore a quella ambiente rilevata, la stufa non si attiverà.

Modalità utente:

Nome modalità/Descrizione	Azione (Le azioni possono essere immesse dal telecomando)
Modifica da gradi centigradi (°C) a Fahrenheit (°F)	Premere contemporaneamente il pulsante a 3 punti (•••) e quello a 2 punti (••) sull'unità e tenere premuto fino ad avvertire un segnale acustico e il lampeggiamento del display. (Per tornare ai gradi centigradi, ripetere questa azione)
Disattivare/attivare le opzioni calore	Tenere premuti contemporaneamente il pulsante a 1 punto (•) e il pulsante Flame (Fiamma) () sull'unità per 2 secondi, quando la stufa si disattiva, il display visualizza "...", e viene emesso un segnale acustico. Per attivare il calore, ripetere quest'azione.

Installazione prodotto - vedere Fig. 4 - 11

Sono possibili tre metodi di montaggio diversi

1. Montaggio superficiale
2. Parzialmente incassato (non per i modelli da 74")
3. Montaggio a filo

Montaggio superficiale (modelli da 34" e 74") - vedere Fig. 4 & 5

ATTENZIONE: Sono necessarie due persone per i vari passaggi di questa procedura.

AVVERTENZA: Accertarsi che il circuito su cui sarà installata la stufa disponga di interruttore di circuito sul pannello di servizio fino a installazione completata.

1. Determinare la posizione di installazione dell'unità, affinché possa essere installata la staffa di montaggio a muro su un minimo di 2 montanti per i modelli da 34" e su 4 montanti per quelli da 74"

! NOTA: Si consiglia di installare la staffa di montaggio a muro a 56 in. (142 cm) dal pavimento, al fine di mantenere un angolo di visuale ottimale delle fiamme.

2. Mantenere la staffa di montaggio a muro con la livella a bolla d'aria posta in cima di essa sulla parete in modo tale che la bolla si trovi al centro delle due linee di riferimento.
3. Segnare le quattro posizioni di montaggio sul muro, assicurandosi che la staffa rimanga a livello (Fig. 4) contrassegnata (A).
4. Solo per le posizioni in cui le viti vengono installate su cartongesso, installare gli ancoraggi per parete in dotazione prima di installare le viti (necessaria pre-foratura).
5. Assicurare la staffa al muro mediante le viti e le rondelle di montaggio da 1 1/2 in. (3,8 cm) nel muro e/o ancoraggi a parete.
6. Installare la staffa di supporto inferiore al muro, centrata rispetto alla staffa di montaggio a muro, usando la bulloneria di montaggio appropriata, 13 3/4" (350 mm) sotto la staffa di montaggio a muro (Fig. 4) contrassegnata (B).
7. Rimuovere la vite centrale dal fondo della stufa. (Fig. 5)
8. Appendere la stufa alla staffa.
9. Installare la vite rimossa in precedenza attraverso la staffa di supporto inferiore nella stufa.
10. Fare riferimento alla sezione Installazione del vetro frontale per le procedure d'installazione finale.

Montaggio superficiale (modelli da 50") - vedere Fig. 6 & 7

ATTENZIONE: Sono necessarie due persone per i vari passaggi di questa procedura.

1. Scegliere una posizione che abbia disponibili almeno due montanti a parete per il montaggio.
2. Scegliere il metodo per l'alimentazione dell'unità:
 - utilizzo di una presa di rete esistente oppure installazione di una presa in prossimità.
 - Cablaggio diretto della stufa.

AVVERTENZA: Non tentare di cablare da sé nuove prese o circuiti. Per ridurre il rischio d'incendio, scosse elettriche o lesioni personali, avvalersi sempre di un elettricista certificato.

AVVERTENZA: Accertarsi che il circuito su cui sarà installata la stufa disponga di interruttore di circuito sul pannello di servizio fino a installazione completata.

3. Rimuovere il vetro parzialmente riflettente dalla stufa:
 - Posare la stufa sulla parte posteriore.
 - Rimuovere le due viti Phillips da ciascuna delle due staffe del vetro (Fig. 6) contrassegnate (A).

- Rimuovere le staffe del vetro (Fig. 6) contrassegnate (B).
- Con una mano che preme sul vetro parzialmente riflettente, portare la stufa in posizione verticale e leggermente in avanti per consentire al vetro parzialmente riflettente di cadere fuori dal telaio interno.

ATTENZIONE: Il vetro parzialmente riflettente non è temperato. Non urtare o far cadere il vetro parzialmente riflettente, onde evitarne la rottura e lesioni personali.

- Rimuovere il vetro parzialmente riflettente dalla stufa.
4. Posizionare la stufa sulla parete nella posizione dove sarà installata (Fig. 7). Utilizzare la livella a bolla d'aria (in dotazione) per assicurarsi che la stufa sia a livello sulla parete.
 5. Accertarsi che almeno due fori a chiave siano allineati con il montante a parete (i fori a chiave sono distanziati di 4 in. (10,2 cm) dal centro) (Fig. 7) contrassegnati (A), segnare la posizione delle quattro viti sul muro (attraverso i fori a chiave).
 6. Rimuovere la stufa dalla parete e riporla in un luogo sicuro lontano dal passaggio.
 7. Laddove le posizioni delle viti segnate non si allineino con il montante a parete, inserire (avvitandolo) uno dei due ancoraggi a parete in dotazione (pre-forare se necessario). Ripetere l'operazione se solo due viti si allineano con il montante a parete.
 8. Avvitare tutte le viti e rondelle di montaggio a testa quadra da 8, 1 1/2 in. (3,8 cm) n. 8 in dotazione nel muro e/o negli ancoraggi a parete, lasciando 1/4 in. (6,5 mm) di filettatura.
 9. Allineare i fori a chiave prescelti con le viti e appendere la stufa alla parete. Le teste delle viti e le rondelle s'installano attraverso i fori a chiave e la stufa scorrerà su di esse in posizione (le viti poggeranno sulla parte più stretta dei fori a chiave).
 10. Serrare tutte le viti di montaggio sul telaio della stufa.
 11. Avvitare le due viti a testa quadra n. 8 in dotazione attraverso due dei fori di montaggio permanente (Fig. 7) contrassegnati (C) che si allineano con un montante a parete.
 12. Facendo attenzione, ricollocare e installare il vetro parzialmente riflettente e le relative staffe usando le viti del passaggio 1.
 13. Fare riferimento alla sezione Installazione del vetro frontale per le procedure d'installazione finale.

Parzialmente incassato (non possibile per i modelli da 74") - vedere Fig. 8 & 9

ATTENZIONE: Sono necessarie due persone per i vari passaggi di questa procedura.

1. Predisporre una parete con un'apertura a struttura adatta al modello (Fig. 8)
 - Modelli da 34" 30 1/2 in. (77,5 cm) di larghezza x 16 1/2 in. (42 cm) di altezza
 - Modelli da 50" 46 1/2 in. (118,1 cm) di larghezza x 16 1/2 in. (42 cm) di altezza

! NOTA: Il dimensionamento tiene conto di uno spazio di 1/4 in. (6,4 mm) attorno all'insero della stufa per agevolare l'installazione. Questa stufa non necessita di alcuna aerazione aggiuntiva.

2. Scegliere il metodo per l'alimentazione dell'unità:
 - Collegamento a una presa di rete (è possibile posare il cavo di alimentazione al di fuori dell'apertura della struttura a parete fino a una presa di rete esistente oppure installare una presa su un montante a parete vicino).
 - Cablaggio diretto della stufa.

AVVERTENZA: Non tentare di cablare da sé nuove prese o circuiti. Per ridurre il rischio d'incendio, scosse elettriche o lesioni personali, avvalersi sempre di un elettricista certificato.

AVVERTENZA: Accertarsi che il circuito su cui sarà installata la stufa disponga di interruttore di circuito sul pannello di servizio fino a installazione completata.

3. Sollevare la stufa e inserirla nell'apertura (Fig. 9).
4. Utilizzare la livella a bolla d'aria (in dotazione) per mettere a livello la stufa all'interno della struttura. Apportare le dovute regolazioni.
5. Installare le quattro viti di montaggio in dotazione facendole passare attraverso i quattro fori di montaggio situati su ciascun angolo del telaio della stufa, nei montanti a parete (Fig. 9).
6. Fare riferimento alla sezione Installazione del vetro frontale per le procedure d'installazione finale.

Montaggio a filo - vedere Fig. 10 & 11

ATTENZIONE: Sono necessarie due persone per i vari passaggi di questa procedura.

1. Predisporre una parete con un'apertura a struttura adatta al modello (Fig. 10)
 - Modelli da 33 in. (83,8 cm) di larghezza x 18 ½ in. (47 cm) di altezza
 - Modelli da 49 in. (124,5 cm) di larghezza x 18 ½ in. (47 cm) di altezza
 - Modelli da 73 in. (185,4 cm) di larghezza x 18 ½ in. (47 cm) di altezza

! NOTA: Si raccomanda di non installare la parte inferiore dell'unità a un'altezza superiore a 40 in. (102 cm) dal pavimento, al fine di mantenere un angolo di visuale ottimale delle fiamme.

AVVERTENZA: Non tentare di cablare da sé nuove prese o circuiti. Per ridurre il rischio d'incendio, scosse elettriche o lesioni personali, avvalersi sempre di un elettricista certificato.

AVVERTENZA: Accertarsi che il circuito su cui sarà installata la stufa disponga di interruttore di circuito sul pannello di servizio fino a installazione completata.

2. Sollevare la stufa e inserirla nell'apertura. La finitura di montaggio della stufa deve essere a filo della parete (Fig. 11).
3. Utilizzare la livella a bolla d'aria (in dotazione) per mettere a livello la stufa all'interno della struttura, apportare le dovute regolazioni.
4. Installare le quattro viti di montaggio in dotazione facendole passare attraverso i quattro fori di montaggio situati sulla superficie interna del telaio della stufa, nei montanti a parete (Fig. 11).
5. Fare riferimento alla sezione Installazione del vetro frontale per le procedure d'installazione finale.

Installazione del vetro frontale - vedere Fig. 12 & 13

1. Versare e distribuire uniformemente il mezzo fornito nell'apposito vassoio del focolare (Fig. 12).
2. Montare con attenzione il gruppo vetro frontale in modo tale che i ganci del vetro frontale si aggancino agli attacchi del vetro sul focolare (Fig. 12).
3. Utilizzare le viti per piastre metalliche Phillips per fissare le alette del gruppo vetro al focolare (Fig. 13).

Telecomando: Vedere Fig. 3

La distanza operativa max è di ca. 5 metri.

NOTA: La risposta del ricevitore al trasmettitore richiede alcuni secondi.

NOTA: Il ricevitore del telecomando è posto sul display, puntare il telecomando in tale direzione quando si immettono i comandi.

Non premere i pulsanti più di una volta entro due secondi per un funzionamento corretto.

Informazioni sulla batteria: Vedere Fig. 3

1. Per attivare il telecomando, rimuovere la striscia trasparente isolante della batteria alla base del telecomando, utilizzata per assicurare che il telecomando sia fornito con la carica completa.

2. Per sostituire la batteria del telecomando, girare il telecomando e attenersi al diagramma riportato sullo stesso.

3. Utilizzare esclusivamente batterie di dimensione CR2025 o CR2032.

Esclusione termica di sicurezza

L'esclusione termica integrata, spegne automaticamente l'apparecchiatura in caso di guasto! Se ciò dovesse accadere, spegnere l'apparecchiatura o scollegare la spina dalla presa di rete.

Rimuovere qualsiasi ostruzione che potrebbe aver causato il surriscaldamento. Dopo un breve periodo di raffreddamento, l'apparecchiatura sarà nuovamente pronta all'utilizzo. Se il guasto dovesse ripetersi, contattare il concessionario di zona.

AVVERTENZA: Al fine di evitare un pericolo dovuto alla reimpostazione involontaria dell'esclusione termica, questa apparecchiatura non deve essere alimentata attraverso un dispositivo di commutazione esterno, quale un temporizzatore, né connessa a un circuito che sia regolarmente attivato/disattivato dall'utenza.

Manutenzione

AVVERTENZA: SCOLLEGARE SEMPRE L'UNITÀ DALLA PRESA DI RETE PRIMA DI QUALSIASI INTERVENTO DI MANUTENZIONE.

Diode e emissione luminosa

Questa stufa è dotata di lampade LED (diode a emissione luminosa). Queste lampade a LED non richiedono manutenzione e non dovrebbe esserne necessaria la sostituzione per tutto il ciclo di vita utile del prodotto.

Pulizia

AVVERTENZA: SCOLLEGARE SEMPRE L'UNITÀ DALLA PRESA DI RETE PRIMA DI ESEGUIRE LA PULIZIA DELLA STUFA.

Per la pulizia generale, utilizzare un panno morbido e pulito – non utilizzare mai detergenti abrasivi. Il vetro dello schermo deve essere pulito delicatamente con un panno morbido.

NON utilizzare detergenti per vetro commerciali.

Per rimuovere l'eventuale accumulo di polvere o pilucchi, utilizzare occasionalmente la spazzola morbida dell'aspirapolvere per pulire la griglia di uscita del riscaldatore a ventola.

AVVERTENZA: non azionare il prodotto senza la griglia e il vetro esterno in posizione, poiché ciò potrebbe influire negativamente sul funzionamento della stufa.

Smaltimento

Per i prodotti elettrici venduti nell'ambito dell'Unione Europea. Al termine del ciclo di vita utile, i prodotti elettrici non devono essere smaltiti nei normali rifiuti urbani. Effettuare lo smaltimento presso le apposite strutture. Verificare presso il proprio ente locale o rivenditore come smaltire il prodotto nel proprio paese.



Assistenza post-vendita

Nel caso sia necessaria assistenza post-vendita o per l'acquisto di parti di ricambio, rivolgersi al rivenditore presso cui è stata acquistata l'apparecchiatura oppure contattare il numero di assistenza relativo al proprio paese e riportato sulla scheda di garanzia.

Si prega di non restituirci il prodotto guasto come prima cosa, in quanto ciò potrebbe determinare perdita o danni e ritardi nel fornire un servizio di assistenza adeguato. Conservare la ricevuta/scontrino come prova di acquisto.

Zasady bezpieczeństwa

W celu zmniejszenia ryzyka pożaru, porażenia lub innych urazów podczas użytkowania urządzeń elektrycznych należy stosować poniższe środki ostrożności:

W przypadku gdy urządzenie jest uszkodzone, przed przystąpieniem do instalacji i użytkowania należy skontaktować się z dostawcą.

Nie używać produktu w bezpośrednim sąsiedztwie wanny, pryszniczki ani basenu. Nie używać na zewnątrz pomieszczeń.

Nie wolno umieszczać urządzenia bezpośrednio nad lub pod gniazdem zasilania lub skrzynką przyłączeniową.

⚠ OSTRZEŻENIE: Symbol ostrzeżenia na urządzeniu oznacza, że nie wolno go przykrywać. Urządzenie może być również oznaczone etykietą „Nie przykrywać”. Nie wolno zakrywać ani blokować w jakikolwiek sposób kratki odprowadzającej ciepło umieszczonej nad oknem płomieniowym urządzenia. Przypadkowe przykrycie urządzenia może spowodować jego przegrzanie. Nie umieszczać żadnych materiałów ani odzieży na urządzeniu i nie zastaniać obiegu powietrza wokół urządzenia, na przykład zasłonami lub meblami, ponieważ może to spowodować przegrzanie i ryzyko pożaru.

W przypadku usterki odłączyć grzejnik od zasilania. Jeżeli urządzenie nie będzie używane przez dłuższy czas, należy odłączyć je od zasilania. Przewód zasilający należy umieścić po prawej stronie grzejnika, z dala od wylotu ciepła pod urządzeniem.

Urządzenie może być użytkowane przez dzieci od 8. roku życia oraz osoby z ograniczeniami fizycznymi, sensorycznymi lub mentalnymi, nieposiadające doświadczenia ani wiedzy, pod warunkiem, że robią to pod nadzorem, zostały odpowiednio poinstruowane i rozumieją powiązane zagrożenia. Produktu nie należy dawać dzieciom do zabawy. Dzieci nie powinny czyścić ani konserwować produktu bez nadzoru.

Dzieci poniżej 3. roku życia nie powinny przebywać w pobliżu produktu bez stałego nadzoru. Dzieci w wieku od 3 do 8 lat mogą jedynie włączać i wyłączać urządzenie, pod warunkiem że zostało ono zainstalowane lub umieszczone w docelowym położeniu roboczym, a dzieci zostały odpowiednio poinstruowane w kwestii bezpiecznego użytkowania urządzenia lub też są nadzorowane i rozumieją powiązane zagrożenia. Dzieci w wieku od 3 do 8 lat nie powinny podłączać do gniazda zasilania, regulować, czyścić ani konserwować urządzenia.

Urządzenie należy ustawić w taki sposób, aby wtyczka była łatwo dostępna.

Mimo że urządzenie spełnia normy bezpieczeństwa nie zalecamy jego użytkowania na grubych dywanach lub chodnikach z długim włosiem.

Jeżeli przewód zasilający jest uszkodzony, powinien zostać wymieniony przez producenta lub zakład serwisowy lub inną wykwalifikowaną osobę w celu wyeliminowania zagrożeń.

PRZESTROGA: Aby uniknąć niebezpieczeństwa związanego z przypadkowym wyzerowaniem wyłącznika termicznego, urządzenia nie można zasilac z wykorzystaniem zewnętrznego urządzenia wyłączającego, takiego jak wyłącznik czasowy (timer), ani nie można podłączać go do obwodu zasilania, który jest regularnie włączany i wyłączany przez dostawcę energii.

PRZESTROGA: Niektóre części urządzenia mogą się mocno nagrzać, co może spowodować oparzenia. Należy zwrócić szczególną uwagę na dzieci lub osoby wrażliwe.

Informacje techniczne

Numer modelu: BLF34EU-E, BLF3451EU-E, BLF50EU-E, BLF50UK-E, BLF5051EU-E, BLF74EU-E, BLF7451EU-E

Moc grzewcza **230 V 240 V**

Znamionowa moc grzewcza	P_{Nom}	1.1	-	1.2	kW
-------------------------	-----------	-----	---	-----	----

Minimalna moc grzewcza	P_{min}	0.6	-	0.6	kW
------------------------	-----------	-----	---	-----	----

Maksymalna ciągła moc grzewcza	$P_{maks,c}$	1.1	-	1.2	kW
--------------------------------	--------------	-----	---	-----	----

Dodatkowe zużycie energii

W trybie spoczynku	eI_{SB}	0.47	-	0.49	W
--------------------	-----------	------	---	------	---

z elektroniczną kontrolą temperatury pokojowej

Informacje ogólne

Ostrożnie rozpakuj grzejnik i zachowaj opakowanie na później, na wypadek jego przeniesienia lub zwrotu.

Grzejnik wyposażony jest w efekt płomienia, który można włączyć razem z funkcją grzania lub oddzielnie, dzięki czemu można wykorzystać relaksujące działanie płomieni niezależnie od pory roku. Sam efekt płomienia zużywa bardzo niewielką ilość energii.

Przed podłączeniem urządzenia sprawdź, czy wartość napięcia zasilania jest identyczna z wartością podaną na urządzeniu.

Uwaga: W przypadku używania kominka w miejscu o bardzo niskim poziomie hałasu może być słyszalny dźwięk związany z działaniem efektu płomienia. Jest to normalny efekt i nie należy się tym niepokoić.

Połączenia elektryczne

⚠ OSTRZEŻENIE: URZĄDZENIE MUSI BYĆ UZIEMIONE













Niniejszy grzejnik musi być zasilany wyłącznie prądem zmiennym, a wartość napięcia zasilania musi odpowiadać wartości na grzejniku.

Przed włączeniem urządzenia przeczytaj ostrzeżenia i instrukcję obsługi.


Przewód zasilania podłączany na stałe

W niektórych jurysdykcjach urządzenie dostarczane jest bez wtyczki, w celu zapewnienia zgodności z przepisami lokalnymi. W takich sytuacjach urządzenie powinno być instalowane przez wykwalifikowanego instalatora, który powinien zapewnić możliwość odłączenia zasilania za pomocą odpowiedniego urządzenia instalacji elektrycznej, zgodnie z przepisami lokalnymi.

Elementy sterowania: patrz rys. 2 i 3

	Ikona	Wyświetlacz	Funkcja	Opis
A		-	Zasilanie / Tryb spoczynku	Naciśnij jeden raz, aby włączyć urządzenie. Naciśnij drugi raz, aby przejść w tryb spoczynku. (Po uruchomieniu z trybu spoczynku przywrócone zostaną ostatnie ustawienia, z wyjątkiem przypadku odłączenia od zasilania, kiedy to urządzenie powróci do ustawień fabrycznych).
B			Wyłącznik czasowy	Naciśnij kilka razy aby zmienić wartość wyłącznika czasowego w wartościach co 0,5 h, począwszy od 0,5 h do 8,0 h przed wyłączeniem urządzenia. Pozostały czas wyłącznika czasowego będzie widoczny na wyświetlaczu. (Ikona kolor zielony)
C		Efekt płomienia		Przycisk efektu płomienia umożliwia wybór jednego z 4 ustawień: mały płomień, duży płomień, tryb demonstracyjny oraz wyłączony.
		F1	Mały płomień	Ustawienie uruchamia efekt płomienia z niskim poziomem jasności. (Wyświetlony zostanie symbol F1)
		F2	Duży płomień	To ustawienie spowoduje wyświetlenie efektu płomienia o dużej jasności. (Wyświetlony zostanie symbol F2)
		FP	Tryb demonstracyjny	To ustawienie uruchamia efekt powolnego pulsowania, przełączając między niskim a wysokim poziomem jasności. (Wyświetlony zostanie symbol FP)
		-	Wył.	Ta opcja wyłącza efekt płomienia. Jeżeli grzejnik jest włączony, wyświetlacz włączy się i odczyta ustawioną temperaturę oraz wskaże, czy urządzenie zostało ustawione na niski poziom grzania, wysoki poziom grzania, czy też chłodny nawiew.
D		Motyw kolorystyczny		Motywy kolorystyczne to ustawienia kolorystyki paleniska. Dostępnych jest osiem różnych motywów.
		1	Motyw 1	Motyw 1 to tryb demonstracyjny, w którym kolejno prezentowane są poszczególne motywy kolorystyczne. Tryb ten można wstrzymać naciskając przycisk regulacji jasności / * – wyświetlony zostanie komunikat 1.P W celu ponownego uruchomienia trybu demonstracyjnego należy nacisnąć ponownie przycisk regulacji jasności / * – wyświetlony zostanie komunikat 1.u
		2-8	Motywy 2-8	Motywy 2-8 to fabrycznie zaprogramowane ustawienia kolorów wyświetlanych statycznie.
E		-	Jasność	Za pomocą tego przycisku w trybie wyświetlania motywu 2-8 można wybierać pełną jasność lub jasność zmniejszoną o połowę. Przycisk ten służy również do obsługi motywów w sposób opisany powyżej.
F		Grzanie		Kolejne naciśnięcia przycisku grzania powodują wybranie jednego z czterech ustawień: niski poziom grzania, wysoki poziom grzania, chłodny nawiew i wyłączony. Ikona ustawienia temperatury jest widoczna na wyświetlaczu – patrz rys. 2. W przypadku włączonego efektu płomienia wyświetlacz wyłączy się po 5 sekundach, jednak w przypadku używania grzejnika niezależnie od efektu płomienia, ikona niskiej lub wysokiej temperatury będzie wyświetlana przez cały czas na wyświetlaczu.
			Niski poziom grzania	To ustawienie umożliwia wybranie niskiego poziomu grzania. Na wyświetlaczu widoczna będzie ikona niskiego poziomu grzania oraz litery „LO”. (Ikona w kolorze pomarańczowym)
			Wysoki poziom grzania	To ustawienie umożliwia wybranie wysokiego poziomu grzania. Na wyświetlaczu będzie widoczna ikona wysokiego poziomu grzania oraz litery „HI”. (Ikona w kolorze czerwonym)
			Chłodny nawiew	To ustawienie umożliwia wybranie chłodnego nawiewu. Na wyświetlaczu będzie widoczna ikona chłodnego nawiewu oraz litery „CB”. (Ikona w kolorze niebieskim)
		-	Wył.	To ustawienie umożliwia wyłączenie grzejnika i nawiewu. Na wyświetlaczu nie będzie wyświetlać się żadna ikona. Uwaga: nawiew będzie działał przez 10-20 sekund po jego wyłączeniu, aby urządzenie mogło bezpiecznie ostygnąć.
G		-	Niższa temperatura	Każde naciśnięcie tego przycisku powoduje obniżenie temperatury grzejnika o 1°C. Najniższa możliwa temperatura do ustawienia to 5°C. Uwaga: Po wybraniu żądanej temperatury wartość zamiga trzykrotnie. Następnie na wyświetlaczu wyświetli się temperatura pomieszczenia wykryta przez urządzenie. Jeżeli wybrana temperatura jest niższa od wykrytej przez grzejnik, urządzenie nie włączy się.
H		-	Wyższa temperatura	Każde naciśnięcie tego przycisku powoduje zwiększenie temperatury grzejnika o 1°C. Najwyższa możliwa temperatura do ustawienia to 37°C. Uwaga: Po wybraniu żądanej temperatury wartość zamiga trzykrotnie. Następnie na wyświetlaczu wyświetli się temperatura pomieszczenia wykryta przez urządzenie. Jeżeli wybrana temperatura jest niższa od wykrytej przez grzejnik, urządzenie nie włączy się.

Tryby użytkownika:

Nazwa trybu / Opis	Działanie (działań nie można uruchamiać za pomocą pilota zdalnego sterowania)
Zmiana stopni Celsjusza (°C) na stopnie Fahrenheita (°F)	Wcisnąć jednocześnie przycisk 3 Dot (•••) i dwoma kropkami (••) na urządzeniu i przytrzymać do czasu wyemitowania sygnału dźwiękowego i zamigania wyświetlacza. (Aby ponownie ustawić stopnie Celsjusza, powtórzyć czynność)
Opcje wyłączenia/włączenia funkcji grzania	Przytrzymać jednocześnie przycisk z jedną kropką (•) i przycisk efektu płomienia () na urządzeniu przez 2 sekundy. Po wyłączeniu funkcji grzania wyświetlony zostanie symbol „--” i rozlegnie się sygnał dźwiękowy. Aby włączyć grzanie powtórzyć tę czynność.

Montaż produktu - patrz rys. 4 - 11

Produkt można zamontować na trzy sposoby.

1. Montaż naścienny
2. Montaż częściowo wpuszczany (nie dotyczy modeli 74")
3. Montaż wpuszczany

Montaż naścienny (modele 34" i 74") - patrz rys. 4 & 5

⚠ PRZESTROGA: Do wykonania niektórych czynności montażowych niezbędne będą dwie osoby.

⚠ OSTRZEŻENIE: Aż do ukończenia montażu obwód zasilania kominka musi być odcięty w skrzynce rozdzielczej.

1. Miejsce montażu należy wybrać tak, aby wspornik ścienny można było przykręcić do przynajmniej dwóch profili nośnych w przypadku modeli 34" i 4 profili nośnych w przypadku modeli 74".

! UWAGA: Zaleca się umieścić wspornik montażowy na wysokości 56 cali (146 cm) nad ziemią w celu uzyskania optymalnego kąta widzenia płomieni.

2. Przytrzymać ścienny wspornik montażowy z umieszczoną od góry poziomnicą przy ścianie tak, aby wskaźnik poziomu był wyśrodkowany między dwiema czarnymi liniami.
3. Zaznaczyć na ścianie położenie 4 wkrętów mocujących, sprawdzając, czy wspornik ścienny pozostaje poziomo (rys. 4), szczegół A.
4. W miejscach, w których wkręty będą mocowane wyłącznie do ścianki gipsowo-kartonowej, przed wkręceniem wkrętów należy umieścić w niej dołączone do zestawu kotwy (w razie potrzeby nawiercić otwory w ścianie).
5. Przytwierdzić wspornik do ściany za pomocą dołączonych do zestawu wkrętów mocujących 1 ½ cala (3,8 cm) oraz podkładek, wkręcając je w ścianę lub kotwy umieszczone w ścianie.
6. Zamontować na ścianie wspornik dolny, wyrównując go względem ściennego wspornika montażowego i używając odpowiednich elementów mocujących, 13¾" (350 mm) poniżej ściennego wspornika montażowego (rys. 4) (szczełóg B).
7. Wykręcić środkowy wkręt od spodu kominka. (rys. 5)
8. Zawiesić kominek na wsporniku.
9. Wkręcić wcześniej wykręcony wkręt przez wspornik dolny do kominka.
10. Końcowe czynności montażowe opisano w części „Montaż szyby przedniej”.

Montaż naścienny (modele 50") - patrz rys. 6 & 7

⚠ PRZESTROGA: Do wykonania niektórych czynności montażowych niezbędne będą dwie osoby.

1. Kominek należy zamontować w miejscu, w którym w ścianie dostępne są przynajmniej dwa profile montażowe (w przypadku ścian wykonanych metodą lekką).
2. Wybrać metodę zasilania urządzenia:
 - podłączyć do istniejącego gniazda zasilania lub złożyć nowe gniazdo w pobliżu.
 - Podłączyć kominek na stałe do zasilania.

⚠ OSTRZEŻENIE: Nie należy próbować samodzielnego montażu nowych gniazd ani obwodów. W celu zmniejszenia ryzyka pożaru, porażenia prądem lub innych obrażeń należy korzystać z usług elektryka z odpowiednimi uprawnieniami.

⚠ OSTRZEŻENIE: Aż do ukończenia montażu obwód zasilania kominka musi być odcięty w skrzynce rozdzielczej.

3. Zdjąć półprzepuszczalną szybę z kominka:

- Położyć kominek na ścianie tylnej.
- Wykręcić po dwa wkręty z gniazdem krzyżowym z obydwu wsporników szyby (rys. 6), szczegół (A).
- Zdjąć wsporniki szyby (rys. 6), szczegół (B).
- Dociskając lekko szybę półprzepuszczalną przechylić kominek do pozycji stojącej i lekko do przodu, aby szyba półprzepuszczalna uwolniła się z ramy wewnętrznej.

⚠ PRZESTROGA: Szyba półprzepuszczalna nie jest hartowana. Zachować ostrożność, aby nie uderzyć ani nie upuścić szyby, grozi to jej rozbiciem i zranieniem.

- Wyjąć półprzepuszczalną szybę z kominka.

4. Ustawić kominek na ścianie w miejscu montażu docelowego (rys. 7). Za pomocą poziomicy (w zestawie) sprawdzić, czy kominek jest umieszczony poziomo na ścianie.
5. Sprawdzić, czy przynajmniej dwa otwory montażowe pokrywają się z profilami montażowymi (otwory blokowane rozmieszczone są co 4 cale (10,2 cm)) (rys. 7), szczegół (A), a następnie zaznaczyć rozstaw czterech wkrętów montażowych na ścianie (przed otwory montażowe).
6. Zdjąć kominek ze ściany i odłożyć w bezpieczne, nieuczęszczane miejsce.
7. Jeśli zaznaczone punkty nie pokrywają się z profilami montażowymi w ścianie należy zastosować (wkręcić) jedną z dwóch dołączonych do zestawu kotew (w razie potrzeby nawiercić otwór). Powtórzyć czynność, jeśli jedynie dwa wkręty trafiły w profile montażowe w ścianie.
8. Wkręcić wszystkie cztery dołączone do zestawu wkręty #8, 1 ½ cal (3,8 cm) z łbami prostokątnymi i podkładkami w ścianę lub kotwy umieszczone w ścianie, pozostawiając ¼ cala (6,5 mm) gwintu.
9. Wyrównać otwory montażowe względem wkrętów i zawiesić kominek na ścianie. Łby wkrętów i podkładki będą pasować do otworów montażowych i kominek osiadzie na swoim miejscu (wkręty wsuną się w zwiężenia otworów montażowych).
10. Dokręcić wszystkie cztery wkręty w ramie montażowej kominka.
11. Wkręcić dwa znajdujące się w zestawie wkręty z łbem kwadratowym #8 przez dwa otwory do montażu na stałe (rys. 7), szczegół (C) wyrównane względem profili montażowych.
12. Ostrożnie złożyć i zamontować szybę półprzepuszczalną i wsporniki szyby za pomocą wkrętów z punktu 1.
13. Końcowe czynności montażowe opisano w części „Montaż szyby przedniej”.

Montaż częściowo wpuszczany (nie jest możliwy w przypadku modeli 74") - patrz rys. 8 & 9

⚠ PRZESTROGA: Do wykonania niektórych czynności montażowych niezbędne będą dwie osoby.

1. Przygotować ścianę z ramą montażową dostosowaną do odpowiedniego modelu (rys. 8).
 - Modele 34": 30 ½ cala (77,5 cm) szerokości x 16 ½ cala (42 cm) wysokości
 - Modele 50": 46 ½ cali (118,1 cm) szerokości x 16 ½ cal (42 cm) wysokości

! UWAGA: Podane rozmiary zapewniają ¼ cala (6,4 mm) luzu wokół wkładu kominkowego w celu ułatwienia montażu. Kominek nie wymaga dodatkowej wentylacji.

2. Wybrać metodę zasilania urządzenia:

- Podłączenie do gniazda zasilającego (przewód można wypuścić przez otwór w ścianie i poprowadzić do istniejącego gniazda na pobliskim profilu montażowym w ścianie).
- Podłączyć kominek na stałe do zasilania.

⚠ OSTRZEŻENIE: Nie należy próbować samodzielnego montażu nowych gniazd ani obwodów. W celu zmniejszenia ryzyka pożaru, porażenia prądem lub innych obrażeń należy korzystać z usług elektryka z odpowiednimi uprawnieniami.

⚠ OSTRZEŻENIE: Aż do ukończenia montażu obwód zasilania kominka musi być odcięty w skrzynce rozdzielczej.

3. Unieść kominek i umieścić go w otworze (rys. 9).
4. Za pomocą poziomicy (w zestawie) wypoziomować kominek w obramowaniu. Wyregulować położenie stosownie do potrzeb.
5. Wkręcić cztery dotychczas do zestawu wkręty przez cztery otwory montażowe znajdujące się w narożnikach ramy montażowej kominka do profili montażowych w ścianie (rys. 9).
6. Końcowe czynności montażowe opisano w części „Montaż szyby przedniej”.

Montaż wpuszczany - patrzrys. 10 & 11

⚠ PRZESTROGA: Do wykonania niektórych czynności montażowych niezbędne będą dwie osoby.

1. Przygotować ścianę z ramą montażową dostosowaną do odpowiedniego modelu (rys. 10).
 - Model 34": 33 cale (83,8 cm) szerokości x 18 ½ cala (47 cm) wysokości
 - Model 50": 49 cale (124,5 cm) szerokości x 18 ½ cala (47 cm) wysokości
 - Model 74": 73 cale (185,4 cm) szerokości x 18 ½ cali (47 cm) wysokości

! UWAGA: Zaleca się umieścić kominek tak, aby jego dolna krawędź znalazła się na wysokości nie większej niż 40 cali (102 cm) nad ziemią w celu uzyskania optymalnego kąta widzenia płomieni.

⚠ OSTRZEŻENIE: Nie należy próbować samodzielnego montażu nowych gniazd ani obwodów. W celu zmniejszenia ryzyka pożaru, porażenia prądem lub innych obrażeń należy korzystać z usług elektryka z odpowiednimi uprawnieniami.

⚠ OSTRZEŻENIE: Aż do ukończenia montażu obwód zasilania kominka musi być odcięty w skrzynce rozdzielczej.

2. Unieść kominek i umieścić go w otworze. Obramowanie montażowe kominka powinno leżeć w jednej płaszczyźnie ze ścianą (rys. 11).
3. Za pomocą dotychczasowej poziomicy wypoziomować kominek w obramowaniu, wyregulować położenie stosownie do potrzeb.
4. Wkręcić cztery dotychczas do zestawu wkręty przez cztery otwory montażowe znajdujące się na powierzchni wewnętrznej ramy montażowej kominka do profili montażowych w ścianie (rys. 11).
5. Końcowe czynności montażowe opisano w części „Montaż szyby przedniej”.

Montaż szyby przedniej - patrzrys. 12 & 13

1. Umieścić i rozprowadzić dostarczony środek na tacce komory paleniska (rys. 12).
2. Ostrożnie zamontować zespół szyby przedniej tak, aby zaczepy szyby przedniej trafiły w uchwyty montażowe na kominku (rys. 12).
3. Za pomocą znajdujących się w zestawie dwóch (2) wkrętów do blachy z gniazdem krzyżowym przykręcić wypusty zespołu szyby do wkładu kominkowego (rys. 13).

Pilot zdalnego sterowania - patrz rys. 3

Maksymalny zasięg użytkowania wynosi około 5 metrów. UWAGA: Odebranie sygnału z nadajnika przez odbiornik może chwilę potrwać.

UWAGA: Odbiornik sygnału z pilota zdalnego sterowania znajduje się w wyświetlaczu. Podczas wybierania funkcji pilot należy skierować w stronę wyświetlacza.

Aby zapewnić prawidłową pracę, nie naciskać przycisków częściej niż raz na dwie sekundy.

Informacje o baterii - patrz rys. 3

1. Aby uruchomić funkcję sterowania za pomocą pilota, usunąć przezroczysty pasek izolacyjny u podstawy pilota, który fabrycznie zabezpiecza baterię przed rozładowaniem.
2. Aby wymienić baterię, należy odwrócić pilota i wykonać czynności zgodnie z rysunkiem znajdującym się na pilocie.
3. Należy używać wyłącznie baterii CR2025 lub CR2032.

Wyłącznik termiczny

Wbudowany wyłącznik termiczny wyłącza urządzenie automatycznie w razie usterki. W takim przypadku urządzenie należy wyłączyć lub odłączyć od zasilania. Usunąć wszelkie przeszkody, które mogły spowodować przegrzanie. Po krótkim okresie schłodzenia urządzenie można ponownie użytkować. W przypadku ponownego wystąpienia usterki należy skontaktować się ze sprzedawcą. OSTRZEŻENIE: Aby uniknąć niebezpieczeństwa związanego z przypadkowym wyzerowaniem wyłącznika termicznego, urządzenia nie można zasilac z wykorzystaniem zewnętrznego urządzenia wyłączającego, takiego jak wyłącznik czasowy (timer), ani nie można podłączyć go do obwodu zasilania, który jest regularnie włączany i wyłączany przez dostawcę energii.

Konserwacja

⚠ OSTRZEŻENIE: PRZED PODJĘCIEM JAKICHKOLWIEK PRAC KONSERWACYJNYCH NALEŻY ODŁĄCZYĆ URZĄDZENIE OD ZASILANIA.

Dioda LED

Kominek jest wyposażony w diody LED. Nie wymagają one konserwacji i nie powinny wymagać wymiany przez cały czas użytkowania urządzenia.

Czyszczenie

⚠ OSTRZEŻENIE: PRZED ROZPOCZĘCIEM CZYSZCZENIA NALEŻY ZAWSZE ODŁĄCZYĆ URZĄDZENIE OD ZASILANIA.

Do czyszczenia należy używać miękkiej ściereczki – nigdy nie stosować ściernych środków czyszczących. Szybę należy ostrożnie czyścić za pomocą miękkiej szmatki. NIE WOLNO stosować dedykowanych środków do czyszczenia powierzchni szklanych.

Aby usunąć kurz i zanieczyszczenia z kratki wylotowej wentylatora grzejnika, od czasu do czasu należy oczyścić ją odkurzaczem z założoną końcówką w postaci miękkiej szczotki.

OSTRZEŻENIE: nie używać urządzenia bez założonej kratki wylotowej i szyby, ponieważ może to zakłócić pracę grzejnika.

Recykling

Dotyczy urządzeń elektrycznych sprzedawanych na terenie Unii Europejskiej. Po zakończeniu eksploatacji urządzeń elektrycznych nie wolno wyrzucać ich wraz z odpadami domowymi. Urządzenie należy oddać do odpowiedniego punktu odbioru odpadów. Lokalne władze lub sprzedawca udostępniają informacje na temat recyklingu w danym kraju.



Obsługa posprzedażna

W przypadku gdy niezbędna będzie obsługa posprzedażna lub w celu zakupu części zamiennych prosimy o kontakt ze sprzedawcą lub na numer telefonu dla danego kraju podany na karcie gwarancyjnej.

Nie należy zwracać uszkodzonych produktów bezpośrednio do producenta, ponieważ może to spowodować ich zagubienie, uszkodzenie lub opóźnienie w zapewnieniu usług na odpowiednim poziomie. Prosimy o zachowanie dowodu zakupu.

Aviso importante sobre seguridad

Al utilizar aparatos eléctricos, deberán adoptarse precauciones básicas para reducir riesgos de incendio, descarga eléctrica y lesiones personales, como por ejemplo:

Si el aparato está dañado, póngase inmediatamente en contacto con el proveedor antes de completar la instalación o ponerlo en funcionamiento.

No utilice el aparato cerca de un baño, ducha o piscina.

No utilice en exteriores.

Este aparato no se debe ubicar inmediatamente encima o debajo de una toma de alimentación fija o caja de conexiones.

⚠ ADVERTENCIA: Este aparato lleva el símbolo de advertencia que indica que no se debe cubrir o cuenta con la etiqueta No cubrir. No cubra ni obstruya



de manera alguna la rejilla de salida de calor situada sobre la ventana de la llama del aparato. Si el aparato se cubre de manera accidental, se sobrecalentará. No coloque ningún material u objeto de decoración sobre el aparato ni obstruya la circulación de aire alrededor del mismo, por ejemplo mediante cortinas o mobiliario ya que la unidad podría sobrecalentarse y existiría riesgo de incendio.

En caso de fallo, desenchufe el calefactor. Desenchufe el aparato cuando no se vaya a utilizar durante largos periodos de tiempo.

El cable de alimentación se debe colocar hacia la derecha del calefactor, apartado de la salida de calor situada bajo el mismo.

Este aparato puede ser utilizado por niños de 8 años en adelante y personas cuyas capacidades físicas, sensoriales o mentales estén disminuidas o que carezcan de la experiencia y conocimientos suficientes para manejarlo, siempre que cuenten con las instrucciones o la supervisión sobre el uso del mismo de forma segura y comprendan los riesgos. Este aparato no es un juguete para niños. Los niños no deben realizar tareas de limpieza y mantenimiento sin supervisión.

No deberá dejarse acercar al aparato a niños menores de 3 años sin supervisión continua.

Los niños de entre 3 y 8 años de edad solo deberán encender/apagar el aparato si este se ha colocado o instalado en su posición normal de funcionamiento y el niño está supervisado o ha recibido instrucciones sobre el uso seguro del aparato y comprende los peligros que existen. Los niños de entre 3 y 8 años de edad no deben enchufar, regular ni limpiar el aparato o llevar a cabo tareas de mantenimiento.

Este aparato debe colocarse de modo que el enchufe quede accesible.

Aunque este aparato cumple las normas de seguridad, no se recomienda su uso en alfombras de pelo espeso o alfombrillas de pelo largo.

Si el cable eléctrico está dañado debe ser sustituido por el fabricante o agente de

servicio o persona con cualificación similar para evitar peligros.

PRECAUCIÓN: Para evitar peligros debido al reinicio involuntario del desconectador térmico, este aparato no debe recibir corriente de un dispositivo con interruptor externo, como puede ser un temporizador, ni conectarse a un circuito con conexión y desconexión automáticas por parte de la compañía eléctrica.

PRECAUCIÓN - Algunas piezas de este producto pueden calentarse mucho y provocar quemaduras. Deberá prestarse especial atención si hay niños o personas vulnerables presentes.

Información técnica

Nº Modelo: BLF34EU-E, BLF3451EU-E, BLF50EU-E, BLF50UK-E, BLF5051EU-E, BLF74EU-E, BLF7451EU-E

Salida de calor **230V 240V**

Producción de calor nominal	$P_{Nom.}$	1.1	-	1.2	kW
-----------------------------	------------	-----	---	-----	----

Producción de calor mínima	$P_{mín.}$	0.6	-	0.6	kW
----------------------------	------------	-----	---	-----	----

Máxima producción de calor continuo	$P_{máx.,c}$	1.1	-	1.2	kW
-------------------------------------	--------------	-----	---	-----	----

Consumo de electricidad auxiliar

En modo En espera	$e_{l_{SB}}$	0.47	-	0.49	W
-------------------	--------------	------	---	------	---

con control electrónico de temperatura ambiente

General

Desembale el calefactor con cuidado y conserve el embalaje todo el tiempo que pueda para su posible utilización en el futuro, en caso de traslado o de devolución al proveedor.

El fuego incorpora un efecto de llama, que se puede utilizar con o sin calefacción, de modo que el efecto reconfortante se puede disfrutar en cualquier momento del año. El uso únicamente del efecto de llama consume muy poca electricidad.

Antes de conectar el aparato, compruebe que el voltaje de la corriente sea el indicado en el aparato.

Tenga en cuenta: Si lo utiliza en un entorno con muy poco ruido de fondo, es posible que oiga algún sonido relacionado con el funcionamiento del efecto de llama. Esto es normal y no debe preocuparle.

Conexión eléctrica

⚠ ADVERTENCIA: ESTE APARATO NECESITA CONEXIÓN A TIERRA

Este calefactor deberá utilizarse solo con una toma de corriente alterna y el voltaje marcado en el calefactor deberá corresponder con el voltaje de la corriente.

Antes de poner el aparato en funcionamiento, lea las advertencias sobre seguridad y las instrucciones de funcionamiento.

Cableado fijo

En algunas jurisdicciones este aparato se suministra sin enchufe para cumplir con las regulaciones locales. En tales casos este aparato debe ser instalado por un instalador adecuadamente cualificado y se deben incorporar medios de desconexión en el cableado fijo de acuerdo con las reglas locales de cableado.

Controles: Consulte las Figs. 2 y 3

	Icono	Pantalla	Función	Descripción
A		-	Encendido / En espera	Pulse el botón una vez para ENCENDER el producto. Pulse una segunda vez para poner el producto "EN ESPERA" (Al desactivar el modo "EN ESPERA", el producto recuperará la configuración anterior a menos que se haya desenchufado, en cuyo caso recuperará los valores de fábrica).
B			Temporizador de apagado	Pulse varias veces para cambiar el "Temporizador de apagado" en incrementos de 0,5 hora, entre 0,5 y 8,0 horas antes del apagado. Se mostrará el tiempo restante del "Temporizador de apagado". (Este icono es de color verde)
C		Efecto llama		El botón "Efecto llama" cambia secuencialmente el ciclo de la unidad a través de los 4 ajustes disponibles, LOW FLAME (Poca llama), HIGH FLAME (Mucha llama), DEMO MODE (Modo demostración) y OFF (Apagado).
		F1	Poca llama	Este ajuste ejecutará el efecto llama con un nivel de brillo bajo. (En la pantalla aparecerá F1)
		F2	Mucha llama	Este ajuste ejecutará el efecto llama con un nivel de brillo alto. (En la pantalla aparecerá F2)
		FP	Modo Demostración	Este ajuste mostrará lentamente el efecto llama de poco a mucho brillo. (En la pantalla aparecerá FP)
		-	Apagado	Le permitirá desactivar el modo llama. Si el calefactor está en funcionamiento, se activará la pantalla y esta permanecerá activa mostrando la temperatura definida y si el producto está configurado en LOW HEAT (Poco calor)/HIGH HEAT (Mucho calor)/COOL BLOW (Aire frío).
D		Temática de color		La "Temática de color" es un ajuste que permite cambiar el color del lecho de combustible. Existen 8 temáticas diferentes.
		1	Temática 1	La Temática 1 es un "Modo de demostración". Esta configuración le permitirá ver todos los ajustes de color. Puede "Pausar" el modo de demostración pulsando el "Botón de brillo" / * Al hacerlo verá en la pantalla 1.P Para "Detener la pausa" pulse el "Botón de brillo" / * Al hacerlo verá en la pantalla 1.u
		2-8	Temática 2-8	Las Temáticas 2 a 8 son colores predeterminados que permanecen estáticos.
E		-	Brillo	Este botón permite cambiar de máximo brillo a brillo medio en las temáticas 2 a 8. Además, este botón interactúa con el producto cuando se define la temática como se ha descrito anteriormente
F		Calor		El botón "Calor" le permite configurar secuencialmente la unidad con los 4 valores disponibles: LOW HEAT (Poco calor), HIGH HEAT (Mucho calor), COOL BLOW (Aire frío) y OFF (Apagado). La configuración de calor se mostrará con un icono en la pantalla emergente, como se muestra en la Fig. 2. Cuando el efecto de llama esté "Activado", la pantalla emergente se apagará transcurridos 5 segundos, a menos que el calefactor se utilice de manera independiente al efecto de llama. El icono de mucho calor o poco calor aparecerá de manera continuada en la pantalla flotante.
			Poco calor	Este valor permitirá configurar el calefactor con "Poco calor" y en la pantalla verá el icono de "Poco calor" y las letras "LO". (Este icono es de color naranja)
			Mucho calor	Este icono en la pantalla emergente indica que se ha configurado "Mucho calor", por lo que además verá las letras "HI" en la pantalla. (Este icono es de color rojo)
			Aire frío	Este icono en la pantalla emergente indica que se ha configurado "Aire frío", por lo que además verá las letras "CB" en la pantalla. (Este icono es de color azul)
		-	Apagado	Permite apagar el calefactor y ventilador y no se mostrará ningún icono en la pantalla emergente. Tenga en cuenta que el ventilador funcionará durante 10-20 segundos tras el apagado para garantizar que el producto se enfría correctamente.
G		-	Bajada de temperatura	Pulse varias veces para disminuir la temperatura del calefactor en incrementos de 1°C. La temperatura mínima que se puede definir es de 5°C. Nota: Una vez que se detiene en la temperatura deseada, parpadeará 3 veces y verá en la pantalla la temperatura ambiente detectada por el producto. Si la temperatura establecida es inferior a la temperatura ambiente detectada, el calefactor no se activará.
H		-	Aumento de temperatura	Pulse varias veces para aumentar la temperatura del calefactor en incrementos de 1°C. La temperatura máxima que se puede establecer es de 37°C. Nota: Una vez que se detiene en la temperatura deseada, parpadeará 3 veces y verá en la pantalla la temperatura ambiente detectada por el producto. Si la temperatura establecida es inferior a la temperatura ambiente detectada, el calefactor no se activará.

Modos del usuario:

Nombre/Descripción modo	Acción (Las acciones no se pueden introducir desde el mando a distancia)
Cambiar Celsius (° C) a Fahrenheit (° F)	Pulse el botón de 3 puntos (•••) y 2 puntos (••) en la unidad y manténgalos pulsados hasta que oiga un pitido y la pantalla parpadee. (Para cambiar de nuevo a Celsius, repita esta acción)
Desactivar/Activar opciones de calor	Mantenga pulsado el botón de 1 punto (•) y el botón de llama (🔥) en la unidad, durante 2 segundos. Cuando se haya desactivado el calefactor, en la pantalla se mostrará "--" y oirá un pitido. Para activar el calor, repita esta acción.

Ajuste del producto - Consulte la Fig. 4 - 11

Existen 3 métodos de montaje posibles

1. Montaje en superficie
2. Encastrado parcial (no modelos 74")
3. Montaje encastrado

Montaje en superficie (modelos 34" y 74") - Consulte la Fig. 4 & 5

⚠ PRECAUCIÓN: En varios pasos del procedimiento se requerirán dos personas.

⚠ ADVERTENCIA: Asegúrese de que la corriente del circuito en el que se va a instalar la chimenea permanece cortada en el panel de servicio hasta que la instalación se haya completado.

1. Determine la ubicación de instalación de la unidad de manera que el soporte de montaje en pared se pueda fijar a un mínimo de 2 montantes para modelos de 34" y 4 montantes para modelos de 74".

! NOTA: Se recomienda instalar el soporte de montaje 56 pulg. (142 cm) por encima del suelo para mantener un ángulo de visión óptimo de la llama.

2. Coloque el soporte de montaje en pared sobre la misma con el nivel de burbuja de manera que dicha burbuja permanezca centrada entre las dos líneas negras.
3. Marque la ubicación de los 4 tornillos de montaje en la pared, asegurándose de que el soporte permanece nivelado (Fig. 4), marca (A).
4. En ubicaciones donde los tornillos se van a fijar en yeso, coloque los anclajes de pared proporcionados antes de fijar dichos tornillos (taladre si fuese necesario).
5. Fije el soporte a la pared por medio del tornillo de montaje de 1 ½ pulg. (3,8 cm) y las arandelas proporcionadas a la pared y/o anclajes.
6. Instale el soporte inferior centrado en la pared utilizando los accesorios de montaje adecuados, 13 ¾" (350 mm) bajo el soporte (Fig. 4), marca (B).
7. Retire el tornillo central de la parte inferior de la chimenea. (Fig. 5)
8. Cuelgue la chimenea del soporte.
9. Instale el tornillo retirado anteriormente a través del soporte inferior.
10. Consulte la sección Instalación del cristal delantero para completar los procedimientos de instalación finales.

Montaje en superficie (modelos 50") - Consulte la Fig. 6 & 7

⚠ PRECAUCIÓN: En varios pasos del procedimiento se requerirán dos personas.

1. Elija una ubicación con un mínimo de dos montantes disponibles para el montaje.
2. Elija el método de suministro de alimentación a la unidad:
 - Conecte la misma a una toma existente o instale una toma cercana.
 - Realice el cableado de la chimenea.

⚠ ADVERTENCIA: No intente cablear nuevas tomas o circuitos por usted mismo. Para reducir el riesgo de incendios, descargas eléctricas o daños personales, acuda siempre a un electricista cualificado.

⚠ ADVERTENCIA: Asegúrese de que la corriente del circuito en el que se va a instalar la chimenea permanece cortada en el panel de servicio hasta que la instalación se haya completado.

3. Retire el cristal parcialmente reflectante de la chimenea:
 - Coloque la chimenea sobre su parte trasera.
 - Retire los dos tornillos Philips de los dos soportes de cristal Fig. 6), marca (A).

- Retire los soportes de cristal (Fig. 6), marca (B).
- Ejerciendo presión con una mano en el cristal parcialmente reflectante, incline la parte superior de la chimenea ligeramente hacia adelante para que el cristal parcialmente reflectante salga de marco interior.

⚠ PRECAUCIÓN: El cristal parcialmente reflectante no es templado. No lo golpee ni lo deje caer para evitar que se rompa o cause daños personales.

- Retire el cristal parcialmente reflectante de la chimenea.
4. Coloque la chimenea en la posición en que vaya a instalarse en la pared (Fig. 7). Utilice un nivel de burbuja (se proporciona uno) para asegurarse de que la chimenea está nivelada en la pared.
 5. Asegurándose de que al menos dos orificios guía están alineados con un montante (4 pulg. (10,2 cm) entre los mismos) (Fig. 7), marca (A), marque la ubicación de los cuatro tornillos en la pared (a través de los orificios).
 6. Retire la chimenea de la pared y colóquela en un lugar seguro, lejos del tránsito.
 7. Si las ubicaciones marcadas para los tornillos no están alineadas con un montante, inserte (atornille) uno de los dos anclajes de pared proporcionados (taladre si fuese necesario). Repita el proceso si sólo dos tornillos están alineados con un montante
 8. Fije los cuatro tornillos de montaje de cabeza plana #8 de 1 ½ pulg. (3,8 cm) proporcionados y las arandelas en la pared y/o anclajes de pared, dejando una rosca de ¼ pulg. (6,5 mm).
 9. Alinee los orificios guía elegidos con los tornillos y cuelgue la chimenea en la pared. Las cabezas de los tornillos y arandelas encajarán a través de los orificios guía y la chimenea se colocará en su lugar (los tornillos se deslizarán a la parte estrecha de los orificios guía).
 10. Fije los cuatro tornillos de montaje al chasis de la chimenea.
 11. Introduzca los dos tornillos de cabeza plana #8 proporcionados a través de los dos orificios de montaje permanente (Fig. 7), marca (C), en línea con el montante.
 12. Vuelva a colocar con cuidado el cristal parcialmente reflectante y los soportes de cristal con los tornillos indicados en el paso 1.
 13. Consulte la sección Instalación del cristal delantero para completar los procedimientos de instalación finales.

Encastrado parcial (no posible en modelos de 74") - Consulte la Fig. 8 & 9

⚠ PRECAUCIÓN: En varios pasos del procedimiento se requerirán dos personas.

1. Prepare una pared con un orificio enmarcado para el modelo adecuado (Fig. 8)
 - Modelos 34": 30 ½ pulg. (77,5 cm) ancho x 16 ½ pulg. (42 cm) alto
 - Modelos 50": 46 ½ pulg. (118,1 cm) ancho x 16 ½ pulg. (42 cm) alto

! NOTA: Deje ¼ pulg. (6,4 mm) de espacio alrededor del hueco de la chimenea para facilitar la instalación. Esta chimenea no requiere ventilación adicional.

2. Elija el método de suministro de alimentación a la unidad:
 - Conecte la unidad (puede llevar el cable de alimentación desde el orificio de la pared hasta una toma de alimentación existente o instalar una toma en un montante cercano de la pared).
 - Realice el cableado de la chimenea.

⚠ ADVERTENCIA: No intente cablear nuevas tomas o circuitos por usted mismo. Para reducir el riesgo de incendios, descargas eléctricas o daños personales, acuda siempre a un electricista cualificado.

⚠ ADVERTENCIA: Asegúrese de que la corriente del circuito en el que se va a instalar la chimenea permanece cortada en el panel de servicio hasta que la instalación se haya completado.

3. Levante la chimenea e insértela en el orificio (Fig. 9).
4. Utilice el nivel de burbuja (proporcionado) para nivelar la chimenea en el marco. Ajustela como sea necesario.
5. Inserte los cuatro tornillos de montaje proporcionados a través de los cuatro orificios de montaje situados en cada esquina del chasis de la chimenea para fijarla a los montantes (Fig. 9).
6. Consulte la sección Instalación del cristal delantero para completar los procedimientos de instalación finales.

Montaje encastrado - Consulte la Fig. 10 & 11

⚠ PRECAUCIÓN: En varios pasos del procedimiento se requerirán dos personas.

1. Prepare una pared con un orificio enmarcado para el modelo adecuado (Fig. 10)
 - Modelo 34": 33 pulg. (83,8 cm) ancho x 18 ½ pulg. (47 cm) al
 - Modelo 50": 49 pulg. (124,5 cm) ancho x 18 ½ pulg. (47 cm) alto
 - Modelo 74": 73 pulg. (185,4 cm) ancho x 18 ½ pulg. (42 cm) alto

! NOTA: Se recomienda no montar la parte inferior de la unidad a más de 40 pulg. (102 cm) del suelo para mantener un ángulo de visualización adecuado de la llama.

⚠ ADVERTENCIA: No intente cablear nuevas tomas o circuitos por usted mismo. Para reducir el riesgo de incendios, descargas eléctricas o daños personales, acuda siempre a un electricista cualificado.

⚠ ADVERTENCIA: Asegúrese de que la corriente del circuito en el que se va a instalar la chimenea permanece cortada en el panel de servicio hasta que la instalación se haya completado.

2. Levante la chimenea e insértela en su sitio. El marco de montaje de la chimenea se debe encastrar en la pared (Fig. 11).
3. Utilice el nivel de burbuja proporcionado para nivelar la chimenea con respecto al marco y realice los ajustes necesarios.
4. Inserte los tornillos de montaje proporcionados a través de los cuatro orificios situados en la superficie interior del chasis de la chimenea y en los montantes (Fig. 11).
5. Consulte la sección Instalación del cristal delantero para completar los procedimientos de instalación finales.

Instalación de cristal delantero - Consulte la Fig. 12 & 13

1. Disponga y distribuya de manera uniforme los medios proporcionados en la bandeja de la chimenea (Fig. 12).
2. Monte con cuidado la unidad de cristal delantero de manera que los ganchos del mismo cuelguen de los soportes para cristal de la chimenea (Fig. 12).
3. Utilice los cuatro tornillos metálicos Philips proporcionados para fijar las pestañas de la unidad de cristal a la chimenea (Fig. 13).

Mando a distancia - Consulte la Fig. 3

La distancia máxima de uso es de ~ 5 metros.

NOTA: El receptor tarda un poco en responder al transmisor.

NOTA: El receptor del mando a distancia se encuentra en la pantalla, dirija el mando a distancia hacia esta dirección al introducir comandos.

No pulse los botones más de una vez en un periodo de 2 segundos para que el funcionamiento sea correcto.

Información sobre las pilas - Consulte la Fig. 3

1. Para activar el mando a distancia, elimine la cinta de aislamiento de las pilas de la parte inferior del mismo, que se utiliza para garantizar que el mando a distancia cuenta con carga total cuando comience a utilizarlo.

2. Para sustituir las pilas del mando a distancia, gire éste y siga el diagrama indicado.

3. Utilice únicamente pilas CR2025 o CR2032.

Interrupción térmica de seguridad

El corte de sobrecalentamiento integrado apaga la unidad automáticamente en caso de fallo. Si se diese el caso, apague el aparato o desconéctelo de la toma de alimentación.

Elimine cualquier obstrucción que pudiera causar el sobrecalentamiento. Tras un breve periodo de enfriamiento, el aparato estará de nuevo listo para el uso. Si el fallo se produjese de nuevo, póngase en contacto con su proveedor local.

PRECAUCIÓN: Para evitar peligros debido al reinicio involuntario del desconectador térmico, este aparato no debe recibir corriente de un dispositivo con interruptor externo, como puede ser un temporizador, ni conectarse a un circuito con conexión y desconexión automáticas por parte de la compañía eléctrica.

Mantenimiento

⚠ ADVERTENCIA: DESCONECTE LA UNIDAD DE LA TOMA DE ALIMENTACIÓN SIEMPRE QUE VAYA A REALIZAR TAREAS DE MANTENIMIENTO.

Diodo emisor de luz

La chimenea cuenta con lámparas LED (diodo emisor de luz). Estas lámparas LED no requieren mantenimiento y no deberán sustituirse en ningún momento de la vida útil del producto.

Limpieza

⚠ ADVERTENCIA: DESCONECTE LA UNIDAD DE LA TOMA DE ALIMENTACIÓN SIEMPRE QUE VAYA A LIMPIAR EL CALEFACTOR.

Para la limpieza general, utilice un paño suave y limpio; no utilice limpiadores agresivos. La pantalla de visualización de cristal se debe limpiar cuidadosamente con un paño suave.

NO utilice limpiadores de cristal.

Para eliminar cualquier acumulación de polvo o suciedad, puede utilizar ocasionalmente el cepillo suave del aspirador para la limpieza de la rejilla de salida del ventilador.

ADVERTENCIA: No ponga el producto en funcionamiento sin la rejilla y cristal exterior ya que podría poner en riesgo el funcionamiento del calefactor.

Reciclado

Para productos eléctricos vendidos en la Unión Europea. Al finalizar la vida útil de los productos eléctricos, estos no deben desecharse junto a los residuos domésticos. Si existen, utilice los servicios de reciclaje. Póngase en contacto con las autoridades locales o con su vendedor para obtener información sobre reciclado en su país.



Servicio postventa

En caso de que requiera servicio postventa o necesite comprar piezas de repuesto, póngase en contacto con el minorista que le vendió el aparato o llame al número de atención correspondiente a su país que encontrará en la tarjeta de garantía.

Por favor, no nos devuelva productos defectuosos en un primer momento ya que esto podría resultar en la pérdida o daño del producto y en retrasos a la hora de proporcionarle un servicio satisfactorio. Por favor, conserve su tique como prueba de compra.

Recomandări importante referitoare la siguranță

Pentru a se reduce riscul de incendiu, electrocutare și vătămare a persoanelor, la utilizarea aparatelor electrice trebuie respectate măsuri elementare de precauție, incluzând următoarele:

Dacă aparatul este deteriorat, consultați-vă cu furnizorul înainte de instalarea și utilizarea acestuia.

Nu folosiți acest aparat în imediata vecinătate a camerei de baie, a dușului sau a piscinei. A nu se folosi în aer liber.

Acest aparat nu trebuie amplasat direct deasupra sau dedesubtul unei prize fixe sau cutii de racord.

⚠ ATENȚIE: Aparatul este prevăzut cu simbolul Avertizare care indică faptul că nu trebuie acoperit sau are o etichetă pe care scrie Nu acoperiți.

Nu acoperiți sau obstrucționați în niciun fel grilajul de evacuare a căldurii aflat deasupra ferestrei pentru flacără a aparatului. Dacă aparatul este acoperit accidental, acesta se va supraîncălzi. Nu amplasați țesături sau articole de îmbrăcăminte pe aparat și nu obstrucționați circulația aerului în jurul acestuia, de exemplu cu draperii sau mobilier, deoarece s-ar putea supraîncălzi și prezenta pericol de incendiu.

În caz de defectare, scoateți radiatorul din priză. Scoateți aparatul din priză atunci când nu este folosit pentru perioade mari de timp. Cablul de alimentare trebuie pus pe partea dreaptă a radiatorului, departe de zona de evacuare a căldurii de sub aparat. Acest aparat poate fi utilizat de copiii cu vârsta mai mare de 8 ani, de persoanele cu capacități fizice, senzoriale sau mentale reduse sau de persoanele fără cunoștințe sau experiență doar sub supraveghere sau după o scurtă instruire care să le ofere informațiile necesare despre utilizarea sigură a aparatului și să le permită să înțeleagă pericolele la care se expun. Copiii nu trebuie să se joace cu acest aparat. Curățarea și întreținerea curentă nu trebuie efectuate de copii nesupravegheați.

Copiii cu vârsta mai mică de 3 ani nu trebuie lăsați să se apropie de aparat dacă nu sunt supravegheați permanent. Copiii cu vârsta între 3 și 8 ani au voie doar să pornească/oprească aparatul cu condiția ca aparatul să fie amplasat sau instalat în poziția normală de funcționare și doar dacă aceștia sunt supravegheați sau instruiți cu privire la utilizarea în siguranță a aparatului și înțeleg pericolele la care se expun. Copiii cu vârsta între 3 și 8 ani nu au voie să conecteze la priză, să regleze și să curețe aparatul și nu au voie să realizeze întreținerea efectuată de utilizator.

Aparatul trebuie poziționat în așa fel încât ștecherul să fie accesibil.

Chiar dacă acest aparat respectă normele de siguranță, nu recomandăm utilizarea

acestui pe carpete groase sau pe covoare cu fire lungi.

În cazul în care cablul de alimentare este deteriorat, acesta trebuie înlocuit de către producător, un tehnician de service sau o persoană cu o calificare asemănătoare, pentru a evita orice pericol.

ATENȚIE: pentru a evita riscurile cauzate de resetarea necorespunzătoare a protecției termice, acest aparat nu trebuie alimentat printr-un dispozitiv de comutare extern, cum ar fi un temporizator și nu trebuie conectat la un circuit care este cuplat și decuplat în mod regulat de rețea.

ATENȚIE - Unele piese ale acestui produs pot deveni foarte fierbinți și pot provoca arsuri. Se va acorda o atenție deosebită în situațiile în care există copii și persoane vulnerabile.

Informații tehnice

Nr. model: BLF34EU-E, BLF3451EU-E, BLF50EU-E, BLF50UK-E, BLF5051EU-E, BLF74EU-E, BLF7451EU-E

Căldură emisă **230V 240V**

Căldură nominală emisă	P_{Nom}	1.1	-	1.2	kW
------------------------	-----------	-----	---	-----	----

Căldură minimă emisă	P_{min}	0.6	-	0.6	kW
----------------------	-----------	-----	---	-----	----

Căldură maximă emisă continuu	$P_{max,c}$	1.1	-	1.2	kW
-------------------------------	-------------	-----	---	-----	----

Consum auxiliar de electricitate

În modul de așteptare	eI_{SB}	0.47	-	0.49	W
-----------------------	-----------	------	---	------	---

cu controlul electronic al temperaturii camerei

Generalități

Despachetați radiatorul cu atenție și păstrați ambalajul pentru o eventuală utilizare ulterioară, în cazul mutării sau returnării șemineului la furnizor.

Șemineul include un simulator de flacără, care poate fi utilizat cu sau fără încălzire, astfel că vă puteți bucura de efectul reconfortant în orice perioadă a anului. Utilizarea exclusivă a simulatorului de flacără necesită doar o cantitate redusă de electricitate.

Înainte de a conecta radiatorul, verificați dacă tensiunea de alimentare este identică cu cea indicată pe radiator.

Rețineți: În cazul utilizării într-un mediu cu zgomot de fond foarte redus, este posibilă sesizarea unui sunet asociat funcționării simulatorului de flacără. Acest lucru este normal și nu reprezintă un motiv de îngrijorare.

Conexiunea electrică

⚠ ATENȚIE: ACEST APARAT TREBUIE SĂ FIE ÎMPĂMÂNTAT

Acest radiator trebuie conectat numai la o sursă electrică de curent alternativ, iar tensiunea de alimentare trebuie să fie identică cu tensiunea indicată pe radiator.

Înainte de pornire, citiți avertismentele privind siguranța și instrucțiunile de utilizare.

Cablaj fix

În anumite jurisdicții acest aparat nu este dotat cu ștecher pentru a fi conform cu reglementările locale. În astfel de cazuri, aparatul trebuie să fie instalat de către un instalator calificat corespunzător, iar comenzile pentru deconectare trebuie să fie integrate în conexiunile fixe, conform cu reglementările privind conexiunile electrice în vigoare la nivel local.

Comenzi: Consultați Fig. 2 și 3

	Pictogramă	Afișaj	Funcție	Descriere
A		-	Alimentare / Așteptare	Apăsați o singură dată pentru a „PORNI” aparatul. Apăsați a doua oară pentru a pune aparatul în „AȘTEPTARE” (După revenirea din modul „AȘTEPTARE”, aparatul va reveni la setările anterioare, cu excepția cazului în care a fost scos din priză, când va reveni la setările din fabrică)
B			Cronometru cu oprire automată	Pentru a modifica intervalul dinaintea opririi în trepte de 0,5 h, de la 0,5 h la 8,0 h, apăsați de mai multe ori „CRONOMETRUL CU OPRIRE AUTOMATĂ”. Pe „CRONOMETRU CU OPRIRE AUTOMATĂ” este afișat timpul rămas. (Această pictogramă are Verde albastru)
C		Simulator de flacără		Butonul „SIMULATOR DE FLACĂRĂ” activează unitatea secvențial prin cele 4 setări, FLACĂRĂ MICĂ, FLACĂRĂ MARE, MOD DEMO și OPRIT.
		F1	Flacără mică	Această setare va rula simulatorul de flacără la un nivel scăzut de strălucire. (Afișajul va indica F1)
		F2	Flacără mare	Această setare va rula simulatorul de flacără un nivel ridicat de strălucire. (Afișajul va indica F2)
		FP	Modul Demo	Această setare va pulsa încet simulatorul de flacără între strălucirea scăzută și ridicată. (Afișajul va indica FP)
		-	Oprit	Aceasta va opri simulatorul de flacără. Dacă radiatorul funcționează, afișajul se va activa și va rămâne activ pentru a citi temperatura setată și pentru a arăta dacă produsul este setat pe CĂLDURĂ MICĂ/ CĂLDURĂ MARE/AER RECE.
D		Temă culoare		„Temele de culori” sunt setări care schimbă culoarea patului de combustibil. Există opt teme diferite
			Tema 1	Tema 1 este un mod demo. Această setare parcurge toate setările de culoare. Puteți întrerupe modul demo prin apăsarea butonului de luminozitate / * iar în acest caz pe afișaj apare . P Pentru a relua modul apăsați butonul de luminozitate / * iar în acest caz pe afișaj apare . P
		2-8	Temele 2 - 8	Temele 2 - 8 sunt culori presetate care rămân statice.
E		-	Luminozitate	Acest buton comută luminozitatea temelor 2 - 8 între „totală” și „jumătate”. De asemenea, acest buton interacționează cu produsul atunci când este setat pe o temă, așa cum s-a descris anterior
F		Căldură		Butonul „CĂLDURĂ” comută unitatea secvențial prin 4 setări: CĂLDURĂ MICĂ, CĂLDURĂ MARE, AER RECE și OPRIT. Setarea căldurii va fi indicată de o pictogramă pe afișajul flotant, consultați Fig. 2. Atunci când simulatorul de flacără este „PORNI”, afișajul flotant se va opri după 5 secunde dacă radiatorul este folosit independent de simulatorul de flacără. Pictograma căldură mică sau căldură mare va apărea permanent pe afișajul flotant.
			Căldură Mica	Această setare va activa radiatorul pe „CĂLDURĂ MICĂ” și va fi indicată de pictograma „CĂLDURĂ MICĂ” și de literele „LO” care apar pe afișaj. (Această pictogramă are culoarea albastru)
			Căldură mare	Această pictogramă de pe afișajul flotant indică „CĂLDURĂ MARE” și este indicată de pictograma „CĂLDURĂ MARE” și de literele „HI” care apar pe afișaj. (Această pictogramă are culoarea Rosu albastru)
			Aer rece	Această pictogramă de pe afișajul flotant indică „AER RECE” și va fi indicată de pictograma „AER RECE” și de literele „CB” care apar pe afișaj. (Această pictogramă are albastru albastru)
		-	Oprit	Aceasta „OPREȘTE” radiatorul și suflanta. Pe afișajul flotant nu va fi indicată nicio pictogramă. Rețineți, suflanta va funcționa timp de 10-20 de secunde după oprire pentru a asigura răcirea în siguranță a produsului.
G		-	Temp mică	Apăsați de mai multe ori pentru a reduce temperatura în pași de 1°C Creștere. Temperatura cea mai scăzută care poate fi setată este de 5°C. Observație: După ce ajungeți la temperatura dorită, aceasta se va aprinde intermitent de 3 ori, după care afișajul va indica temperatura camerei care a fost detectată de produs. Dacă temperatura setată este mai mică decât temperatura detectată a camerei, radiatorul nu se va activa.
H		-	Temp Up	Apăsați de mai multe ori pentru a crește temperatura în trepte de 1°C Creștere. Temperatura cea mai ridicată care poate fi setată este de 37°C. Observație: După ce ajungeți la temperatura dorită, aceasta se va aprinde intermitent de 3 ori, după care afișajul va indica temperatura camerei care a fost detectată de produs. Dacă temperatura setată este mai mică decât temperatura detectată a camerei, radiatorul nu se va activa.

Modurile utilizator:

Numele modului / Descriere	Acțiune (Acțiunile nu pot fi comandate cu telecomanda)
Schimbare din Celsius (°C) în Fahrenheit (°F)	Apasati ambele butoane cu 3 puncte (•••) si 2 Puncte (••) de pe unitate și mențineți până când se aude un bip și afișajul clipește. (Pentru a reveni la Celsius, repetați acțiunea)
Dezactivarea / Activarea opțiunilor de căldură	Apăsați butonul cu 1 punct (•) și butonul de flacără () de pe unitate timp de 2 secunde. Atunci când radiatorul a fost dezactivat, afișajul va indica „-” și va emite un semnal sonor. Pentru a porni căldura repetați această acțiune.

Accesor- consultați Fig. 4 - 11

Există trei metode de montare posibile

1. Montare pe suprafață
2. Parțial îngropat (nu la modelele de 74")
3. Montare la nivel

Montare pe suprafață (modelele de 34" și 74") - consultați Fig. 4 & 5

⚠ ATENȚIE: Pentru anumite etape ale instalării poate să fie necesară prezența a două persoane.

⚠ ATENȚIE: Este necesar ca alimentarea electrică a circuitului șemineului ce urmează a fi instalat este oprită din tabloul electric până la finalizarea instalării.

1. Stabiliți poziția de montare a unității astfel încât suportul de montare pe perete să poată fi instalat cu minimum 2 stâlpi pentru pereți despărțitori la modelele de 34" și cu 4 stâlpi la cele de 74"

! OBSERVAȚIE: Se recomandă ca suportul de montare pe perete să se instaleze la 56 in. (142 cm) de podea, pentru a se menține un unghi optim de vizualizare a flăcării.

2. Țineți suportul de montare pe perete, cu nivela deasupra, pe perete, astfel încât bula nivelei să fie centrată între cele două linii negre.
3. Marcați pozițiile celor 4 șuruburi pe perete, păstrând poziția orizontală a suportului de perete (Fig. 4) marcajul (A).
4. În locațiile în care șuruburile sunt instalate doar în rigips, instalați diblurile furnizate înainte de a instala șuruburile (perforați înainte dacă este necesar).
5. Fixați suportul de perete cu ajutorul șuruburilor de 1½ in. (3,8 cm) și șaiabelor furnizate pe perete și/sau în dibluri.
6. Instalați suportul de susținere inferior pe perete, centrat cu suportul de montare de perete, folosind accesoriul de montare adecvat de 13¾" (350 mm) sub suport (Fig. 4) marcaj (B).
7. Desfaceți șurubul central din partea de jos a șemineului. (Fig. 5)
8. Suspendați șemineul de suport.
9. Instalați șurubul demontat anterior prin suportul inferior în șemineu.
10. Pentru procedurile finale de instalare consultați secțiunea Instalarea sticlei frontale.

Montarea pe suprafață (modelele de 50") - consultați Fig. 6 & 7

⚠ ATENȚIE: Pentru anumite etape ale instalării poate să fie necesară prezența a două persoane.

1. Alegeți o poziție care are minimum doi stâlpi pentru pereți despărțitori disponibili pentru montare.
2. Alegeți varianta de alimentare electrică a aparatului:
 - Conectați-l la o priză existentă sau instalați una în apropiere.
 - Conectați șemineul direct la instalația electrică.

⚠ ATENȚIE: Nu încercați să vă conectați propriile prize sau circuite. Pentru a reduce riscul de incendiu, electrocutare sau vătămare a persoanelor, apelați întotdeauna la ajutorul unui electrician autorizat.

⚠ ATENȚIE: Este necesar ca alimentarea electrică a circuitului șemineului ce urmează a fi instalat este oprită din tabloul electric până la finalizarea instalării.

3. Îndepărtați sticla parțial reflectorizantă de la șemineu:
 - Așezați șemineul pe partea lui din spate.
 - Scoateți cele două șuruburi cu cap cruce din fiecare dintre cele două suporturi din sticlă (Fig. 6) marcaj (A).
 - Scoateți suporturile din sticlă (Fig. 6) marcaj (B).

- Cu o mână puneți presiune pe sticla parțial reflectorizantă, înclinați șemineul în poziție verticală și ușor spre înainte, pentru a permite sticlei să cadă din cadrul interior.

⚠ ATENȚIE: Sticla parțial reflectorizantă nu este securizată. Pentru evitarea spargerii sticlei și vătămării personale, nu loviți sau scăpați sticla parțial reflectorizantă.

- Îndepărtați sticla parțial reflectorizantă de la șemineu.

4. Poziționați șemineul pe un perete, în poziția în care va fi montat (Fig. 7). Utilizați nivela (cea furnizată) pentru a asigura orizontalitatea șemineului față de perete.
5. După ce aliniați minimum două caneluri cu un stâlp pentru pereți despărțitori (centrele canelurilor sunt distanțate la 4 in. (10,2 cm) (Fig. 7) marcaj (A), marcați poziția a patru șuruburi pe perete (prin canelurile existente).
6. Îndepărtați șemineul de pe perete și depozitați-l într-un loc sigur, pe unde nu se circulă.
7. Dacă pozițiile șuruburilor, marcate pe perete, nu se aliniază cu un stâlp pentru pereți despărțitori, introduceți (înșurubați) unul dintre cele două dibluri furnizate (perforați înainte dacă este necesar). Dacă numai două șuruburi sunt aliniate cu stâlpul pentru pereți despărțitori, repetați procedura.
8. Înșurubați toate cele patru șuruburi nr. 8 cu cap pătrat de 1½ in. (3,8 cm) și șaiabele pe perete și/sau în dibluri, lăsând ¼ in. (6,5 mm) de filet.
9. Aliniați orificiile alese cu șuruburile și puneți șemineul pe perete. Capetele de șurub și șaiabele se vor potrivi prin caneluri, iar șemineul va glisa ușor în poziția dorită (șuruburile vor glisa în partea îngustă a canelurilor).
10. Strângeți toate cele patru șuruburi de fixare pe carcasa șemineului.
11. Înșurubați cele două șuruburi nr. 8 cu cap pătrat în două dintre orificiile de montare permanente (Fig. 7) marcaj (C) care se aliniază cu un stâlp pentru pereți despărțitori.
12. Montați la loc și instalați cu atenție sticla parțial reflectorizantă și suporturile pentru sticlă utilizând șuruburile de la pasul 1.
13. Pentru procedurile finale de instalare consultați secțiunea Instalarea sticlei frontale.

Parțial îngropat (imposibil la modelele de 74") - consultați Fig. 8 & 9

⚠ ATENȚIE: Pentru anumite etape ale instalării poate să fie necesară prezența a două persoane.

1. Pregătiți un perete cu o degajare cu ramă pentru modelul corespunzător (Fig. 8)
 - Modele de 34": 30½ in. (77,5 cm) lățime x 16½ in. (42 cm) înălțime
 - Modele de 50": 46½ in. (118,1 cm) lățime x 16½ in. (42 cm) înălțime

! OBSERVAȚIE: Dimensionarea are o toleranță de ¼ in. (6,4 mm) în jurul șemineului pentru a ușura instalarea. Acest șemineu nu necesită aerisire suplimentară.

2. Alegeți varianta de alimentare electrică a aparatului:
 - Conectați (puteți să scoateți cablul de alimentare în afara nișei din perete conectându-l la o priză existentă sau puteți alege să instalați o priză pe un stâlp pentru pereți despărțitori în interiorul peretelui).
 - Conectați șemineul direct la instalația electrică.

⚠ ATENȚIE: Nu încercați să vă conectați propriile prize sau circuite. Pentru a reduce riscul de incendiu, electrocutare sau vătămare a persoanelor, apelați întotdeauna la ajutorul unui electrician autorizat.

⚠ ATENȚIE: Este necesar ca alimentarea electrică a circuitului șemineului ce urmează a fi instalat este oprită din tabloul electric până la finalizarea instalării.

- Ridicați șemineul și introduceți-l în degajare (Fig. 9).
- Utilizați nivela (furnizată) pentru a asigura orizontalitatea șemineului în cadru. Reglați dacă este necesar.
- Introduceți cele patru șuruburi de montare furnizate prin cele patru găuri de montare amplasate în fiecare colț al carcsei șemineului, în stâlpi pentru pereți despărțitori (Fig. 9).
- Pentru procedurile finale de instalare consultați secțiunea Instalarea sticlei frontale.

Montare la nivel - consultați Fig. 10 & 11

ATENȚIE: Pentru anumite etape ale instalării poate să fie necesară prezența a două persoane.

- Pregătiți un perete cu o degajare cu ramă pentru modelul corespunzător (Fig. 10)
 - Modelul de 34": 33 in. (83,8 cm) lățime x 18½ in. (47 cm) înălțime
 - Modelul de 50": 49 in. (124,5 cm) lățime x 18½ in. (47 cm) înălțime
 - Modelul de 74": 73 in. (185,4 cm) lățime x 18½ in. (47 cm) înălțime

! OBSERVAȚIE: Se recomandă ca suportul de montare pe perete să se instaleze la 40 in. (102 cm) de podea, pentru a se menține un unghi optim de vizualizare a flăcării.

ATENȚIE: Nu încercați să vă conectați propriile prize sau circuite. Pentru a reduce riscul de incendiu, electrocutare sau vătămare a persoanelor, apelați întotdeauna la ajutorul unui electrician autorizat.

ATENȚIE: Este necesar ca alimentarea electrică a circuitului șemineului ce urmează a fi instalat este oprită din tabloul electric până la finalizarea instalării.

- Ridicați șemineul și inserați-l în nișă. Modulul de montare a șemineului trebuie să fie lipit de perete (Fig. 11).
- Utilizați nivela furnizată pentru a asigura orizontalitatea șemineului în cadru și reglați-l după cum este necesar.
- Introduceți patru șuruburi de montare prin cele patru găuri de montare amplasate în partea interioară a carcsei șemineului, în stâlpi pentru pereți despărțitori (Fig. 11).
- Pentru procedurile finale de instalare consultați secțiunea Instalarea sticlei frontale.

Instalarea Sticlei Frontale - consultați Fig. 12 & 13

- Turnați și distribuiți uniform mediul furnizat în tava aferentă a camerei de aerdere (Figura 12).
- Montați cu atenție ansamblul frontal din sticlă, astfel încât cârligele pentru sticla frontală să se fixeze pe suporturile aferente de pe șemineu (Figura 12).
- Utilizați cele patru șuruburi metalice cu cap cruce furnizate pentru a fixa urechile ansamblului de sticlă de șemineu (Figura 13).

Telecomandă - Consultați Fig. 3

Raza maximă de acțiune este de ~ 5 metri.

OBSERVAȚIE: Este necesar un anumit timp pentru ca receptorul să reacționeze la comenzile transmise.

OBSERVAȚIE: Receptorul telecomenzii se află în afișaj, îndreptați telecomanda în această direcție atunci când dați comenzi.

Pentru o funcționare corespunzătoare, nu apăsați butoanele la intervale sub două secunde.

Informații privind bateria - Consultați Fig. 3

- Pentru a activa telecomanda, scoateți banda de izolare a bateriei de la baza telecomenzii care este folosită pentru a asigura livrarea telecomenzii cu bateria complet încărcată.
- Pentru a înlocui bateria telecomenzii, întoarceți telecomanda și urmați schema imprimată pe telecomandă.
- Folosiți doar baterii de tipul CR2025 sau CR2032.

Înterupătorul de protecție termică

Înterupătorul de protecție termică încorporat deconectează aparatul automat în cazul unei defecțiuni! Dacă se întâmplă acest lucru, opriți aparatul sau scoateți ștecherul din priză.

Îndepărtați toate obstrucțiile care ar fi putut cauza supraîncălzirea. După o scurtă perioadă de răcire, aparatul este din nou operațional! Dacă defecțiunea reapare, contactați distribuitorul local!

ATENȚIE: pentru a evita riscurile cauzate de resetarea necorespunzătoare a protecției termice, acest aparat nu trebuie alimentat printr-un dispozitiv de comutare extern, cum ar fi un temporizator și nu trebuie conectat la un circuit care este cuplat și decuplat în mod regulat de rețea.

Întreținere

ATENȚIE: DECONECTAȚI ÎNTOTDEAUNA APARATUL DE LA REȚEAUA ELECTRICĂ ÎNAINTEA ORICĂROR LUCRĂRI DE ÎNTREȚINERE.

Dioda luminiscentă

Acest șemineu este dotat cu lămpi LED (diode luminiscente). Aceste lămpi cu LED nu necesită întreținere și nu vor trebui înlocuite pe durata de funcționare a produsului.

Curățarea

ATENȚIE: DECONECTAȚI ÎNTOTDEAUNA APARATUL DE LA REȚEAUA DE ALIMENTARE ÎNAINTE DE A CURĂȚA RADIATORUL.

Pentru o curățare generală, folosiți o lavetă de praf moale și curată. Nu folosiți niciodată detergenți abrazivi. Geamul din sticlă trebuie curățat cu grijă folosind o lavetă moale.

NU folosiți detergenți pentru geamuri disponibili în comerț.

Pentru a îndepărta eventualele depuneri de praf sau scame, folosiți din când în când duza cu perie moale a unui aspirator și curățați grila de evacuare a radiatorului cu ventilator.

ATENȚIE: nu utilizați produsul fără grilajul și geamul exterior deoarece poate fi afectată funcționarea radiatorului.

Reciclarea

Pentru aparatele electrice comercializate în Comunitatea Europeană. La sfârșitul perioadei de exploatare a aparatului electric, nu aruncați produsul împreună cu deșeurile menajere. Vă rugăm să reciclați acolo unde există această posibilitate. Pentru a vă informa cu privire la centrele de reciclare din țara dumneavoastră contactați autoritățile locale sau distribuitorul.



Service Post-Vânzare

Dacă aveți nevoie de service în perioada de garanție sau dacă doriți să achiziționați piese de schimb, contactați distribuitorul de la care a fost achiziționat aparatul sau apelați numărul de service din țara dumneavoastră, specificat pe certificatul de garanție.

Vă rugăm să nu ne returnați direct produsele defecte, deoarece astfel s-ar putea cauza pierderea sau deteriorarea acestora, precum și întâzieri în asigurarea unor servicii de asistență tehnică satisfăcătoare. Vă rugăm să păstrați factura/chitanța cu care ați achiziționat produsul.