

## Artesia

WALL ELECTRIC FIRE

ART20

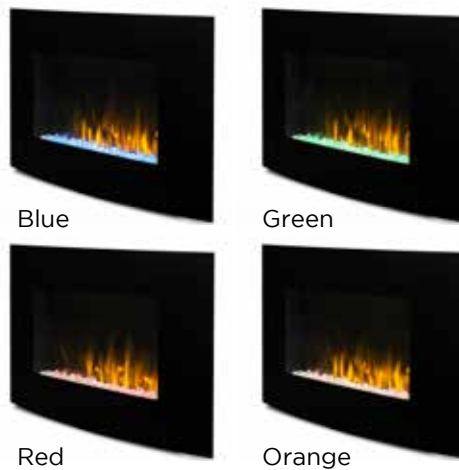


Artesia

### Features

-  Unique Optiflame effect
-  2kW heat output
-  Choice of 2 heat settings
-  Thermostat
-  Run-back timer (8 hours)
-  Variable flame brightness
-  Choice of colour options
-  LED lighting
-  Remote control
-  Crystal or Pebble fuel bed
-  Flame effect only
-  Volume
-  Backlight
-  Bluetooth

### Colour options



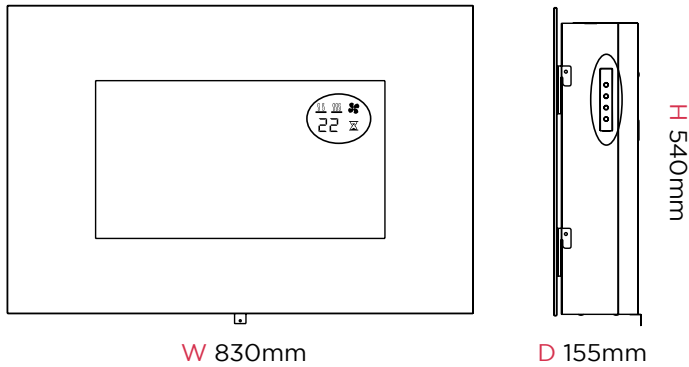
### Remote Control



### Flame Effect



# Artesia



Dimensions & Weight			
Height (mm)	Width (mm)	Depth (mm)	Weight (kg)
540	830	155	15kg

Product Features	
Product Category	Electric Fires
Product Type	Wall
Brand	Dimplex
Model/Range Name	Artesia
Flame Effect	Optiflame
Model Reference	ART20
Material Code	X-061942
Barcode	5011139061942
Commodity Code	8516299100
Country of Origin	PRC
Approvals	UKCA, BEAB
Guarantee Period	1 year

Product Features	
Heat Output	2kW
Heat Settings	2 - 1kW / 2kW
Variable Thermostat	Y
Fan Heat / Radiant Heat	Yes / No
Location of Controls	Top right side of fire
On/Off Switch	Y
Remote Control	Y
Batteries Included	1 x CR2032
Optiflame Effect	Y
Flame Type	Rotisserie
Flame Effect Only	Y
Fuel Bed Supplied	Crystals or Pebbles

Product Features	
Lot 20 Compliant	Y
Freestanding	N
Wall Mountable	Y
Built in	N
View of fire	1 sided
Lamp Type	LED
Colour Settings	Y
Kettle (IEC) Lead	N
Safety Cut Out	Y
Power Cord Length	1.8m
Core Materials	Metal / Glass
Finish / Colour	Black