

# Dimplex



JUNEAU

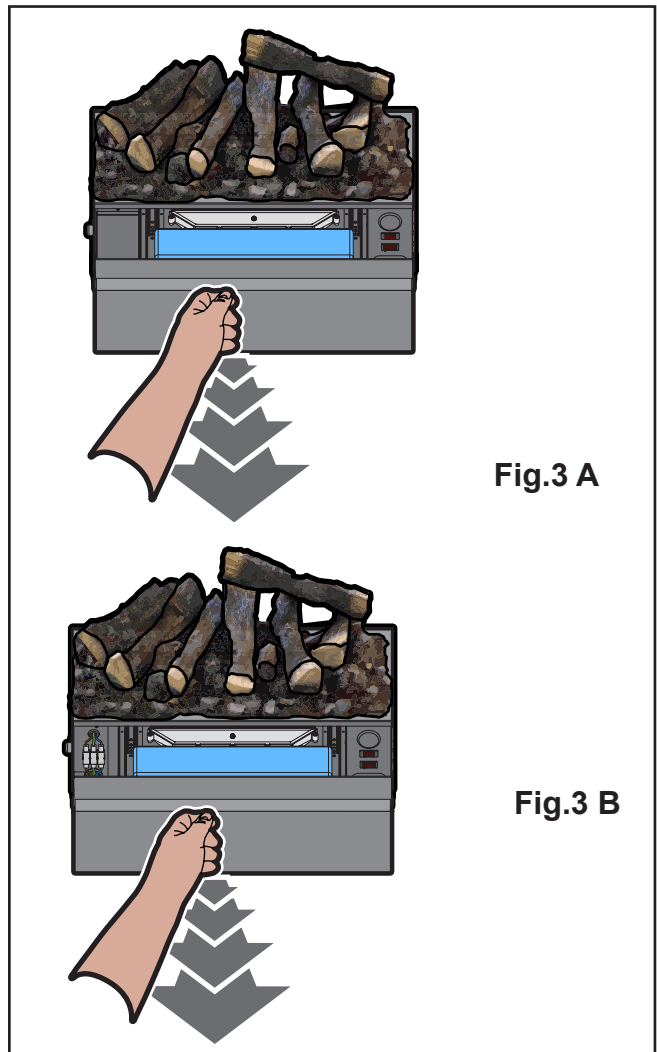
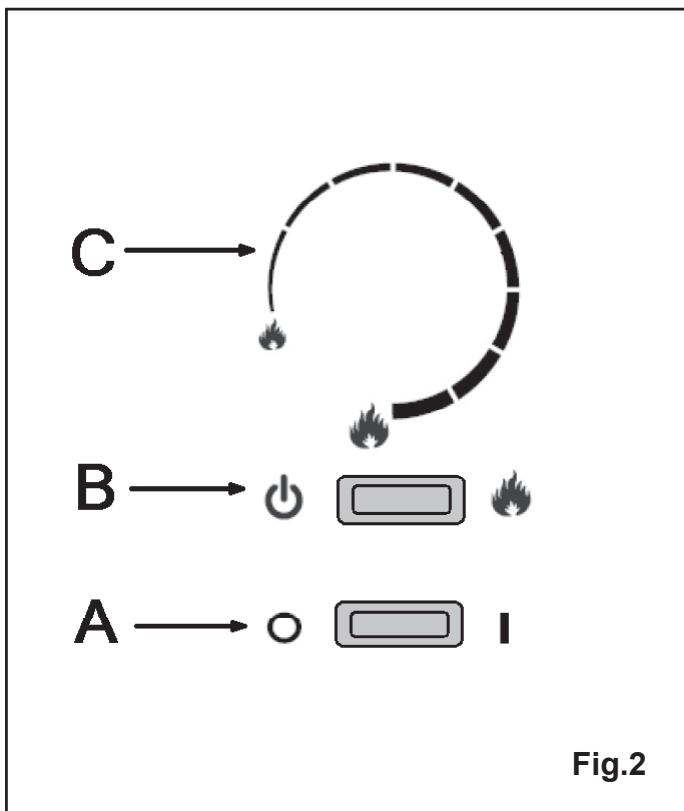
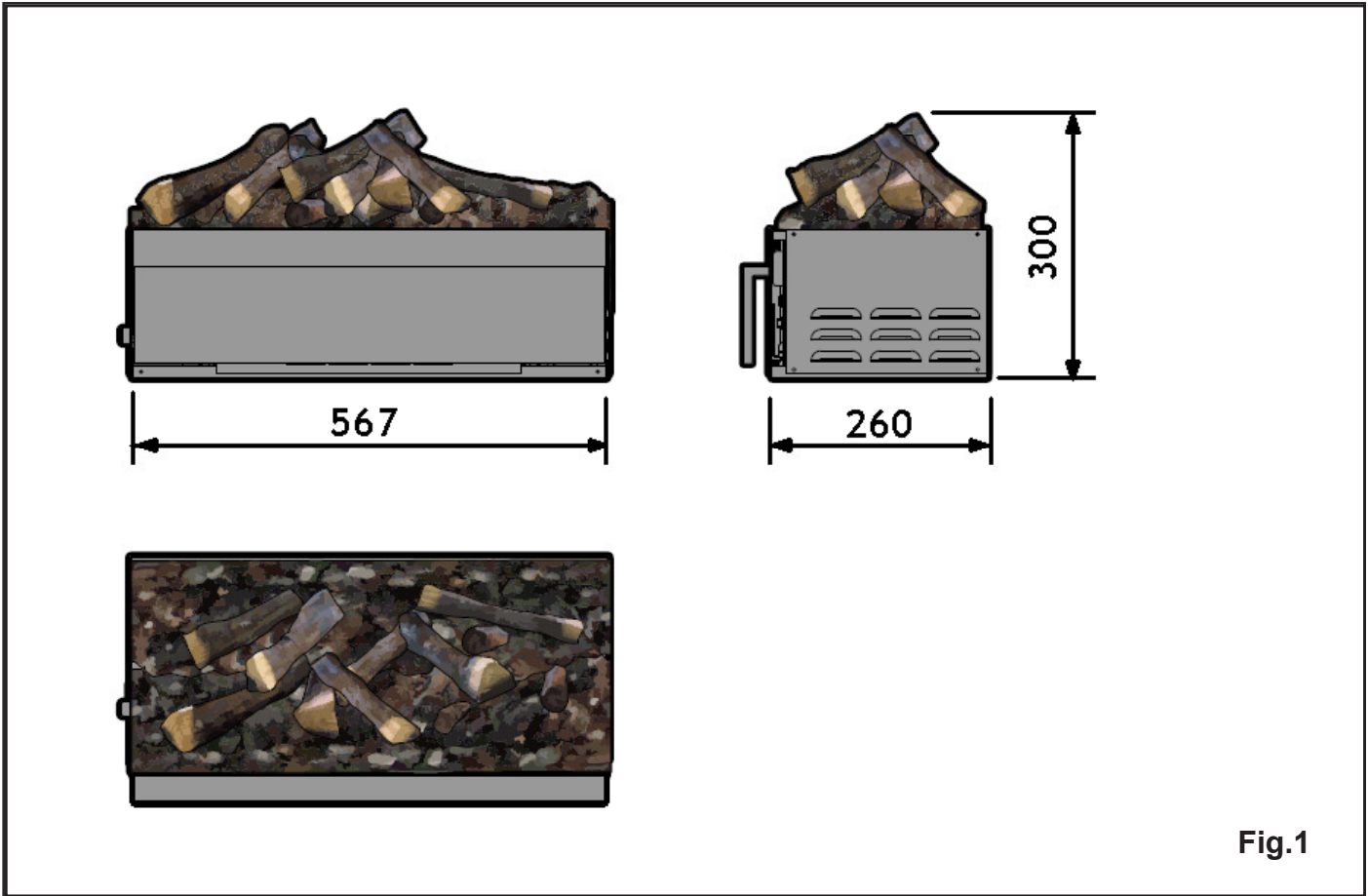
GB RU

FR DE NL

08/51299/0 Issue 6  
OCN 11975



This product complies with all the required Product Safety, Electromagnetic Compatibility and Environmental Standards. This product is fully compliant with the LVD, EMC, RoHS and Eco Design Directives.



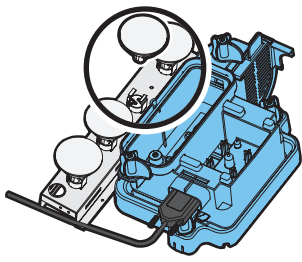


Fig.4

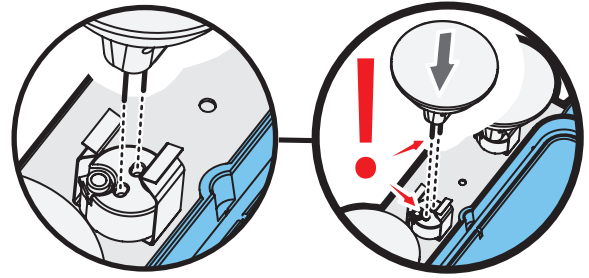


Fig.5

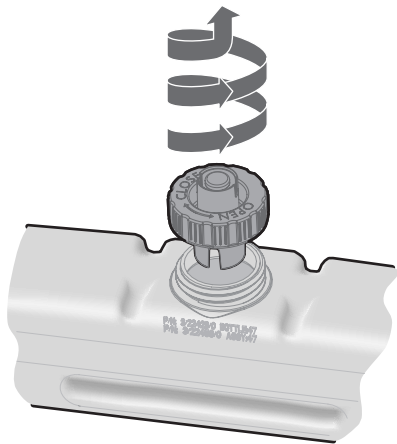


Fig.6

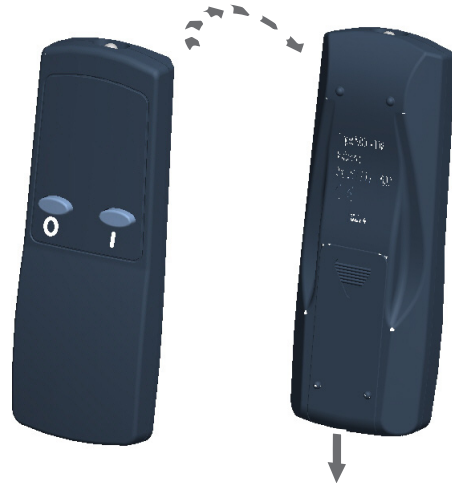


Fig.7

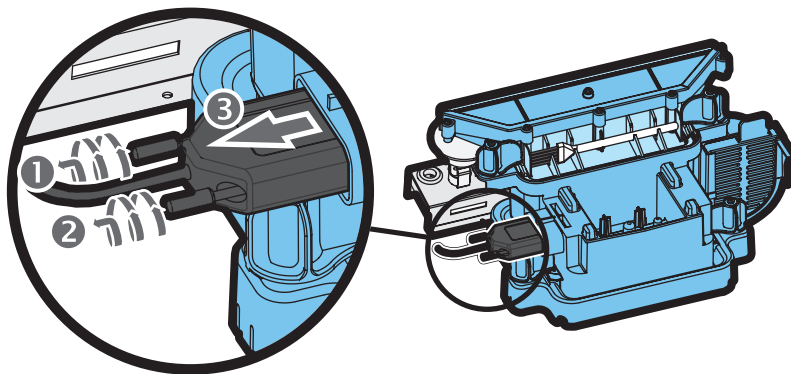


Fig.8

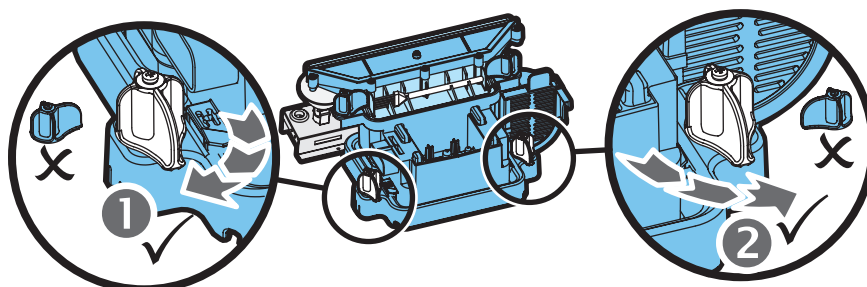
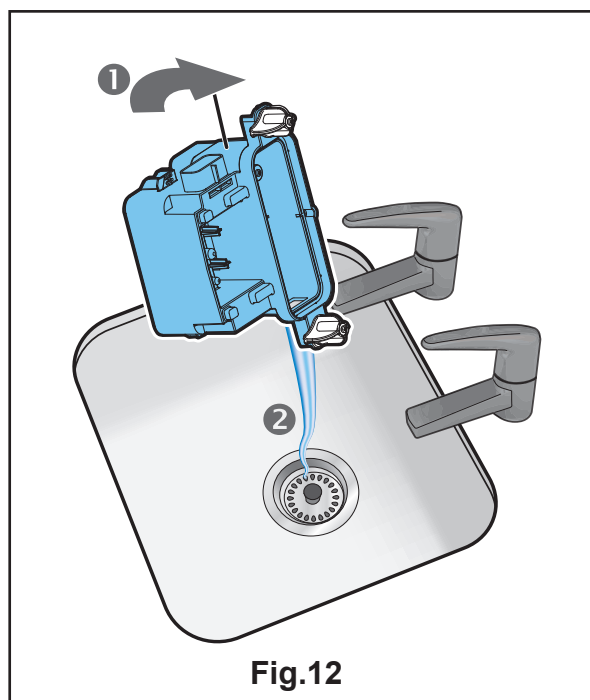
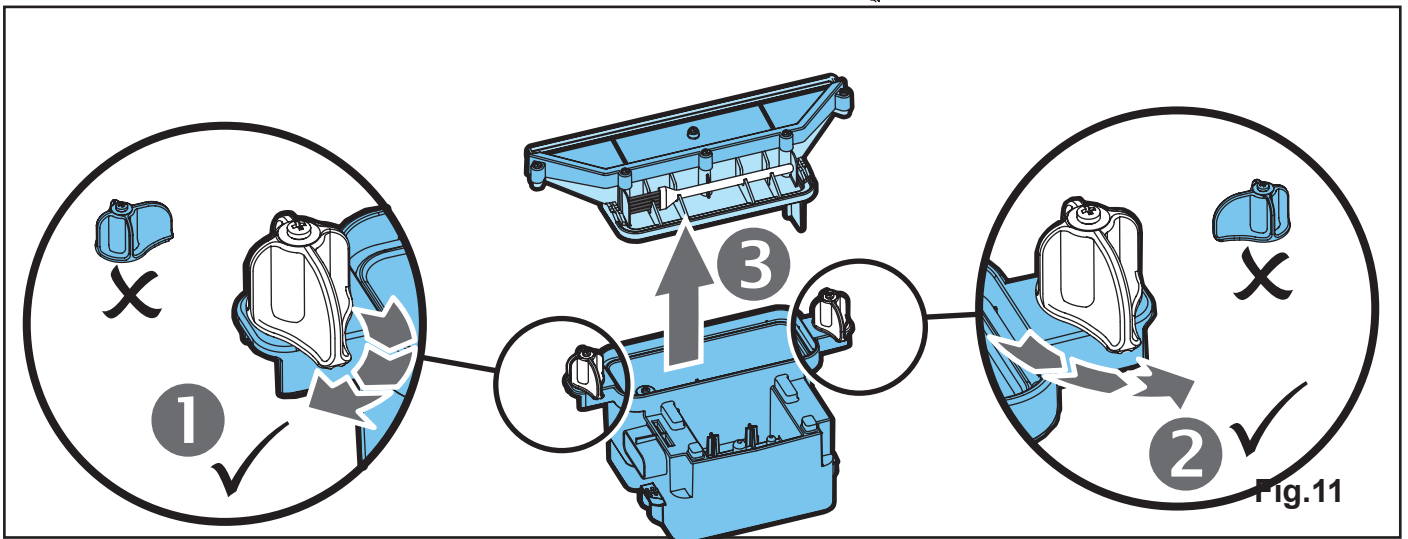
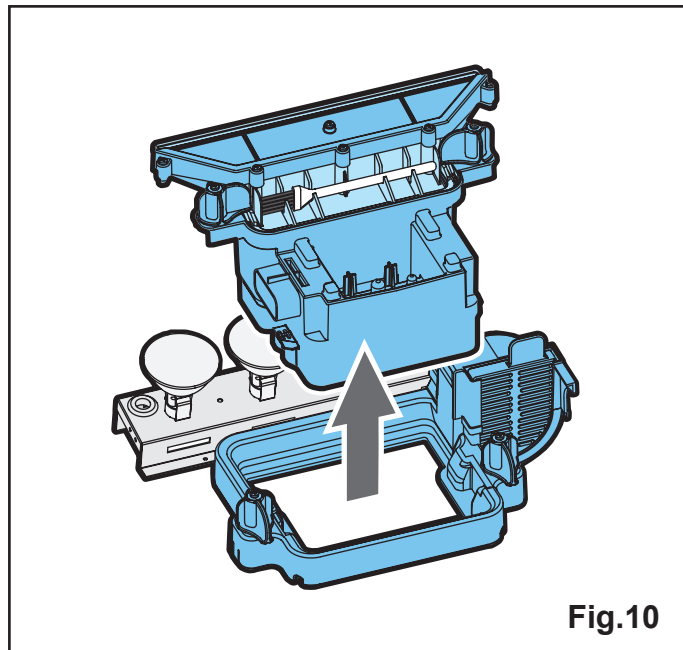


Fig.9



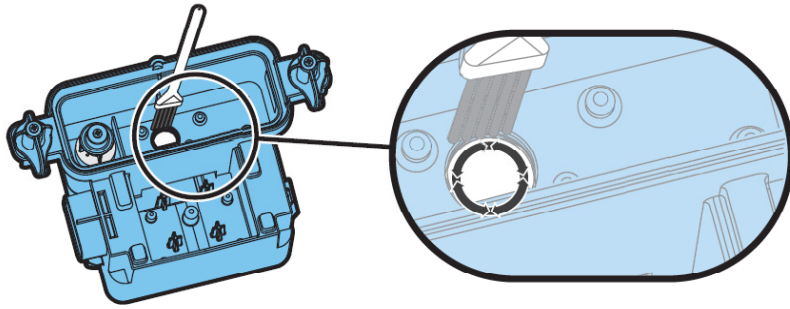


Fig.13

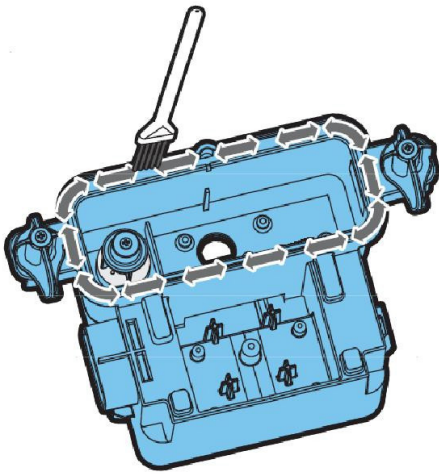


Fig.14

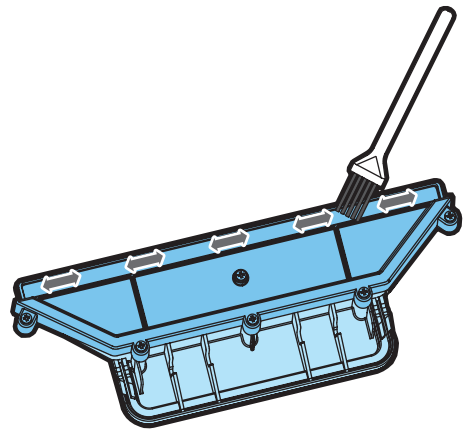


Fig.15

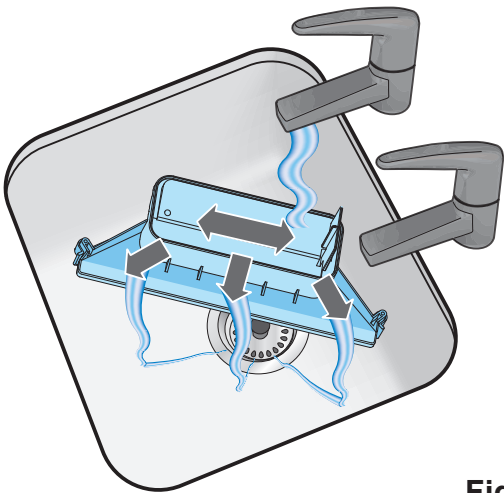


Fig.16

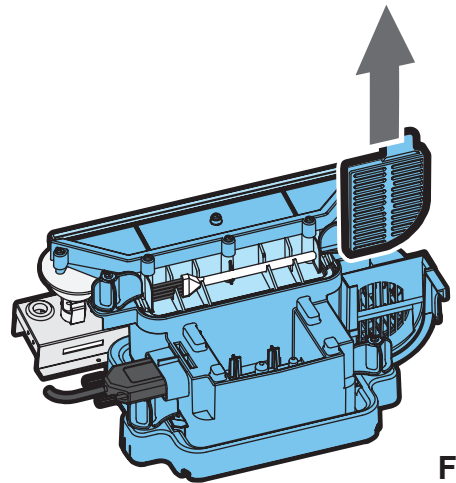


Fig.17

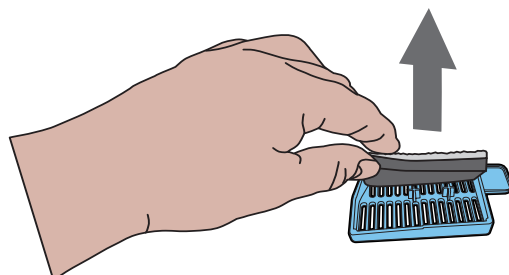


Fig.18

GB .....	1
RU .....	7
FR .....	13
DE .....	19
NL .....	25

## Introduction

Please read this information guide carefully to be able to safely install, use and maintain your product.

## Important Safety Advice

When using electrical appliances, basic precautions should always be followed to reduce the risk of fire, electrical shock and injury to persons, including the following:

### 1. OVERHEATING

**WARNING:** In order to avoid overheating, do not cover the heater. Do not place material or garments on the heater, or obstruct the air circulation around the heater. The heater carries a DO NOT COVER warning.

### 2. DAMAGE.

If the appliance is damaged, check with the supplier before installation and operation.

If the supply cord is damaged it must be replaced by the manufacturer or service agent or a similarly qualified person in order to avoid a hazard.

### 3. LOCATION

Do not use outdoors.

Do not use in the immediate surroundings of a bath, shower or swimming pool.

Do not locate the heater immediately below a fixed socket outlet or connection box.

Ensure that furniture, curtains or other combustible material are positioned no closer than 1 metre from the heater.

Although this heater conforms with safety standards, we do not recommend its use on deep pile carpets or on long hair type of rugs.

### 4. PLUG POSITIONING

The appliance must be positioned so that the plug or point of isolation is accessible.

Keep the supply cord away from the front of the appliance.

### 5. USE OF OTHER CONTROLS

Do not use this heater in series with a thermal control, a program controller, a timer or any other device that switches on the heat automatically, since a fire risk exists when the heater is accidentally covered or displaced.

### 6. UNPLUGGING

In the event of a fault unplug or isolate the device.

Unplug or isolate the device when not required for long periods.

### 7. OWNER/USER

This appliance can be used by children aged from 8 years and above and persons with reduced physical, sensory or mental capabilities or lack of experience and knowledge if they have been given supervision or instruction concerning use of the appliance in a safe way and understand the hazards involved. Children shall not play with the appliance. Cleaning and user maintenance shall not be made by Children without supervision.

Children of less than 3 years should be kept away unless continuously supervised. Children aged from 3 years and less than 8 years shall only switch on/off the appliance provided that it has been placed or installed in its intended normal operating position and they have been given supervision or instruction concerning use of the appliance in a safe way and understanding the hazards involved. Children aged from 3 years and less than 8 years shall not plug in, regulate and clean the appliance or perform user maintenance.

### 8. ELECTRICITY

**WARNING – THIS APPLIANCE MUST BE EARTHED.**

This heater must be used on an AC ~ supply only and the voltage marked on the heater must correspond to the supply voltage. Before switching on, please read the safety advice and operating instructions.

**CAUTION —** Some parts of this product can become very hot and cause burns. Particular attention has to be given where children and vulnerable people are present.

**WARNING -** In order to avoid overheating, do not cover the appliance

## General Information

Only use filtered water in this appliance.

Always ensure that the appliance is sitting on a level surface.

Although this heater complies with safety standards, we do not recommend its use on deep pile carpets or on long hair type of rugs.

Please note: Used in an environment where background noise is very low, it may be possible to hear a sound which is related to the operation of the flame effect. This is normal and should not be a cause for concern.

If this product experiences a power surge for whatever reason the product may cut-out. This is a normal safety feature and the product will resume operation after 30 seconds.

Once installed, never move this appliance or lay on its back, without draining the water from sump and water tank.

If you intend not using the appliance for longer than a week, drain the water from sump and water tank and dry the sump. The water tank, sump, sump lid, tank cap and air filters must be cleaned once every week, particularly in hard water areas.

The appliance should never be operated if the lamps are not working.

The lamps should be regularly inspected as described under 'Maintenance' and 'Changing lamps'.

The sump and the water tank in this product are treated with a biocidal product, Silver Biocide. This conforms with the latest relevant ISO standard

A sudden change in temperature (for example, moving the unit from frost to a warm room) can cause condensation of moisture inside the device and disrupt its operability when turned on.

The device, after transporting or storing at a negative temperature of outside air, must be kept in a warm room for at least 3 hours, after which it can be put into operation.

## Installation Instructions

**Electrical connection.**

**WARNING – THIS APPLIANCE MUST BE EARTHED.**

This fire must be used on an AC ~ supply only and the voltage marked on the fire must correspond to the supply voltage. Before switching on, please read the safety warnings and operating instructions.

**PLEASE RETAIN THIS USER'S GUIDE FOR FUTURE REFERENCE**

**Do not put plastic components into a dishwasher.**

**Only slide out the drawer when the water tank needs to be filled or a lamp needs to be changed otherwise you will inadvertently alter the water level and the flame effect operation.**

**Only use tap water in this appliance with a maximum hardness of 10 dH.**

**Always ensure that the fire is sitting on a level floor.**

**If you intend not using the appliance for longer than 2 weeks, drain the water from sump and water tank and dry the sump.**

**Once installed, never move this fire or lay on its back, without draining the water from sump and water tank.**

**The water tank, sump, sump lid, tank cap and air filters must be cleaned once every two weeks, particularly in hard water areas.**

**The fire appliance should never be operated if the lamps are not working.**

**The lamps should be regularly inspected as described under 'Maintenance' and 'Changing lamps'.**

**Installation Instructions**

**Ensure that all packing items are removed (read any warning labels carefully).**

**Retain all packing for possible future use, in the event of moving or returning the appliance to your supplier.**

**To reduce heat losses and to prevent any chimney updraught affecting the operation of your fire we recommend that the chimney flue is blocked off, ensure that there is a slight gap for ventilation.**

To install the appliance;

Hold the fire by the sides and gently manoeuvre into position. Plug the fire into a 13amp/240 volt outlet. Ensure that the supply cable exits at the front of the fire, at the right or left hand corner to suit your supply socket location and is not trapped under the fire such that it might cause it to be damaged.

Before switching on the appliance, please read the following instructions.

**Before using the manual controls firstly fill the water tank (See 'Maintenance', 'Filling the water tank').**



## Operating the Fire

### Manual Controls.

The manual controls are located behind the drawer.

(See Fig.2 for Manual Control lay out)

Switch 'A':- Controls the electricity supply to the fire.

Note: This switch must be in the 'ON' ( I ) position for the fire to operate.

Switch 'B':- Controls the function of the fire.

**Press  once to turn on flame effect.** This will be indicated by one beep.

Although the main lights operate immediately it will take a further 30 seconds before the flame effect starts.

**Press  to put fire in to standby mode.**

This will be indicated by one beep.

Control Knob 'C':- Controls the intensity of the flame effect.

Turning the control knob clockwise increases the flame effect, turning the control knob anti-clockwise will decrease the flame effect.

When the water tank is empty the main lamps go out. See instructions under '[Maintenance](#)', '[Filling the water tank](#)'.

When this procedure is complete, the main lamps will illuminate but it will take 30 seconds before the flames return.



### Remote Control Operation

On the control panel, Switch A (see Fig.2) must be in the 'ON' ( I ) position in order for the remote control to operate.

There are 2 buttons on the remote control. (See Fig.7)

To operate correctly the remote must be pointed towards the front fuel effect.

The remote control functions are as follows:

-  **Press once to turn on Flame effect only.**  
**This will be indicated by one beep.**
-  **Standby**  
**This will be indicated by one beep.**

### Battery Information.

1. Unclip the battery cover on the back of the remote control. (See Fig.7)
2. Install AAA batteries into the remote control.
3. Replace the battery cover.

### Discard leaky batteries.

Dispose of batteries in the proper manner according to provincial and local regulations.

Any battery may leak electrolyte if mixed with a different battery type, if inserted incorrectly, if all the batteries are not replaced at the same time, if disposed of in a fire, or if an attempt is made to charge a battery not intended to be recharged.

### Tips for using your appliance.

1. Only pull out the drawer when its time to refill the water tank or change a lamp, otherwise it may lead to excess water in the sump and reduced flame effect. If this happens empty the water from the sump as instructed under 'Maintenance'.
2. With the flame setting on minimum the unit will use approximately 40ml of water per hour and will last 3 times as long than when it is at maximum flame setting.
3. Do not tilt or move the fire while there is water in the tank or sump.
4. Make sure that the fire is on a level floor.
5. The flame control knob 'C' (Fig.2) may be turned up or down to give a more realistic effect.
6. Sometimes the flames appear more real when the flame control knob is turned down.
7. Give the flame generator some time to react to changes you may make on the flame control knob.

## Maintenance

### **WARNING: ALWAYS DISCONNECT FROM THE POWER SUPPLY BEFORE ATTEMPTING ANY MAINTENANCE**

#### **Fitting Replacement Lamps.**

If a large amount of the smoke appears grey or colourless it may be that one or more lamps have failed. You can check for lamp failure as follows.

1. Leaving the flame effect on, open the drawers fully, gently pull the drawer fully out by the tab. (See Fig.3)
2. View the lamps from a distance in front of the fire and observe which lamp needs to be changed.
3. Put Switch 'A' in the 'OFF' position, and unplug the fire from the mains.
4. Leave the appliance for 20 minutes to allow the lamps to cool down before removing them.
5. Remove the water tank by lifting upwards and place in a sink.
6. Remove the sump as described in the Cleaning Section.
7. Remove the defective lamp, by gently lifting vertically and disengaging the pins from the lamp holder, (See Fig. 4 and 5). Replace with an Opti-myst, 12V, 45W, Gu5.3 base, 8° beam angle, coloured lamp.
8. Carefully insert the two pins of the new lamp into the two holes in the lamp holder. Push firmly in place. (See Fig.4 and 5).
9. Replace the sump and water tank and carefully close the drawer.
10. Switch on.

#### **Filling the water tank.**

When the water tank is empty, flame and smoke effect shuts off, and you will hear 2 audible 'beeps'. Follow these steps to refill:

1. Press Switch 'A' to **(0)**. (See Fig.2)
2. Pull out the drawer as far as possible by the tab. (See Fig.3)
3. Remove the water tank by lifting upwards and outwards.
4. Place the water tank in sink and remove cap, Anti-clockwise to open. (See Fig.6)
5. Fill tank with **filtered tap water**. This is necessary to prolong the life of the flame and smoke producing unit. **Do not use a decalcifier.**
6. Screw the cap back on, **do not overtighten.**
7. Return the tank to the sump, with the tank cap facing down and the flat side of the tank facing outward.
8. Press Switch 'B' once to turn on flame effect. (See manual control section and Fig.2).
9. Press Switch 'A' to 'ON' ( I ) position. (See Fig.2)
10. Gently push the drawer back in as far as it will go.

#### **Cleaning.**

### **WARNING – ALWAYS DISCONNECT FROM THE POWER SUPPLY BEFORE CLEANING THE FIRE.**

We recommend cleaning the following components once every week, particularly in hard water areas:- Water Tank, Sump and Seal, Sump lid, Tank cap and seal, Air filter.

For general cleaning use a soft clean duster – never use abrasive cleaners. To remove any accumulation of dust or fluff the soft brush attachment of a vacuum cleaner should occasionally be used to clean the outlet grille of the fan fire.

#### **Water tank**

1. Remove water tank, as described earlier, put into sink and empty water.
2. Using the supplied brush gently rub the inside surfaces of the cap paying particular attention to the rubber ring in the outer groove and the centre rubber seal.
3. Put a small quantity of washing up liquid into the tank, refit the cap and shake well, rinse out until all traces of washing up liquid are gone.
4. Refill with tap water with a maximum hardness of 10 dH only, replace the cap, do not overtighten.
5. Do not use a decalcifier when cleaning the appliance, this may shorten the lifetime of the smoke unit.

#### **Sump**

1. Press Switch 'A' to the 'OFF' **(0)** position
2. Gently pull the drawer out as far as possible. (See Fig.3)
3. Remove the water tank by lifting upwards.
4. Disconnect the electrical connector, located on the left side of the sump, by first loosening the two retaining screws and gently withdrawing the connector. (See Fig.8)
5. Release the lower sump locking tabs by turning 90°, this allows the sump to be lifted completely from its location. (See Fig.9)
6. Gently lift up the sump assembly, taking care to keep level so as not to spill any water. Sit the assembly in the sink. (See Fig.10)
7. Release the two upper sump locking tabs by turning 90°, then lift off the sump lid. (See Fig.11)
8. Carefully tilt, as shown, so that the liquid drains out of the sump. (See Fig.12)
9. Put a small amount of washing up liquid into the sump, and using the supplied brush, gently clean all surfaces including the metal disc and the rubber seal located in the top grooved surface. **Do not remove the rubber seals.** (See Fig.13 and 14)

10. When cleaned, thoroughly rinse the sump with clean water.
11. Clean the outlet surface of the sump lid with the brush and flush out thoroughly with water. (See Fig.15 & 16)12. Reverse the above steps to reassemble.

#### **Air filter.**

1. Gently pull the drawer out as far as possible. (See Fig.3).
2. Press Switch 'A' to the 'OFF' (0) position (See Fig.2)
3. Remove the tank and place in a sink with the cap facing upwards.
4. Gently slide upwards the air filter plastic holder. (See Fig.17)
5. Remove the filter combination from the plastic holder.
6. Gently rinse with water in the sink and dry with fabric towel before returning.
7. Replace the filter combination making sure that the coarse black filter is in contact with the plastic holder. (See Fig.18)
8. Replace the tank.
9. Press Switch 'A' to the 'ON' ( I ) position (See Fig.2).
10. Close the drawer fully.

### **Additional Information**

#### **Recycling.**



For electrical products sold within the European Community. At the end of the electrical products useful life it should not be disposed of with household waste. Please recycle where facilities exist. Check with your Local Authority or retailer for recycling advice in your country.

#### **After Sales Service**

Should you require after sales service, please get in touch with the supplier through whom you purchased the appliance.

## Troubleshooting

Symptom	Cause	Corrective Action
The flame effect will not start.	<p>Mains plug is not plugged in.</p> <p>Switch A is in the 'ON' (I) position, but mode Switch B has not been pressed. (See Fig.2)</p> <p>Low water level.</p> <p>Low voltage connector not connected properly. (See Fig.8)</p>	<p>Check plug is connected to wall socket correctly.</p> <p>Press Switch B once for flame effect. (See Fig.2)</p> <p>Check the water tank is full and there is water in the sump.</p> <p>Check that the connector is inserted correctly. (See Fig.8)</p>
The flame effect is too low.	<p>Flame effect control knob is set too low. (See Fig.2)</p> <p>The water in the sump may be too high due to the drawer being opened and closed a number of times, water tank removed a number of times, or the fire has been moved.</p> <p>Metal Disc at the base of Sump might be dirty (See Fig.13)</p>	<p>Increase level of flame by turning Control knob C to the left slowly. (See Fig.2)</p> <p>If water level in the sump is more than 40mm, the sump should be removed and emptied in the sink.</p> <p>Clean Metal Disc with soft brush supplied. (See Fig.13) See 'Maintenance.' for a step by step procedure.</p>
Unpleasant smell when unit is used.	<p>Dirty or stale water.</p> <p>Using unfiltered tap water.</p>	<p>Clean the unit as described under maintenance.</p> <p>Use tap water with a maximum hardness of 10 dH only.</p>
The flame effect has too much smoke.	<p>Flame effect setting is too high.</p>	<p>Turn the flame effect Control knob C to the right until it is at minimum and slowly turn to the left, about ¼ a turn, at a time. Give the flame generator some time to adjust before increasing. (See Fig.2)</p>
Main lamps are not working and there are no flames or smoke.	<p>There is no water in the tank.</p>	<p>Follow instructions under <b>Maintenance</b>, 'Filling the water tank'.</p> <p>Check the plug is connected to wall socket correctly.</p> <p>Switch 'A' Fig. 2 is in the 'ON' ( I ) position.</p> <p>Press switch 'B' Fig.2 until you can hear one beep only, for flame effect.</p>

## Введение

Внимательно прочитайте это руководство — оно содержит сведения о безопасной установке, использовании и техобслуживании прибора.

## Важная информация по технике безопасности

Во время использования электрических устройств необходимо всегда соблюдать основные меры предосторожности, чтобы снизить риск возникновения пожара, поражения электрическим током и получения травм, включая следующие меры безопасности:

### 1. ВНИМАНИЕ



Не кладите на устройство материал или предметы одежды, а также не препятствуйте циркуляции воздуха вокруг него.

На этом устройстве имеется предупреждающая надпись "НЕ НАКРЫВАТЬ".

### 2. ПОВРЕЖДЕНИЕ

Если устройство повреждено, проконсультируйтесь по этому вопросу с производителем перед его установкой и эксплуатацией.

Если повреждена кабель подачи электропитания, он должен быть заменен производителем, уполномоченным специалистом по техническому обслуживанию или иным специалистом, имеющим надлежащий уровень квалификации, чтобы предотвратить риск поражения электрическим током.

### 3. МЕСТО РАСПОЛОЖЕНИЯ

Не используйте электрический камин на открытом воздухе!

Не используйте электрический камин в непосредственной близости от ванны, душа или плавательного бассейна.

Не устанавливайте электрический камин непосредственно под электрической розеткой или распределительным щитом.

Убедитесь, что мебель, занавески или другие легковоспламеняющиеся материалы расположены на расстоянии не менее 1 метра от электрического камина.

### 4. РАСПОЛОЖЕНИЕ ЭЛЕКТРИЧЕСКОЙ РОЗЕТКИ

Электрический камин должен быть установлен недалеко от электрической розетки.

Не допускайте нахождения кабеля подачи электропитания в непосредственной близости от передней части электрического камина.

### 5. ОТКЛЮЧЕНИЕ ОТ ЭЛЕКТРИЧЕСКОЙ СЕТИ

В случае возникновения неисправности отключите электрический камин от электрической сети.

Если электрический камин не будет использоваться в течение длительного периода времени, отключите его от электрической сети.

### 6. ВЛАДЕЛЕЦ/ПОЛЬЗОВАТЕЛЬ

Этот прибор может использоваться детьми в возрасте от 8 лет и старше, а также лицами с ограниченными физическими, сенсорными или умственными способностями или с недостатком опыта и знаний, если они находятся под контролем или проинструктированы о правилах безопасного использования прибора и понимают возможные опасности. Дети не должны играть с прибором. Очистка и обслуживание могут осуществляться детьми только под присмотром взрослых.

Детей в возрасте до 3 лет, если они не находятся под непрерывным контролем, следует держать подальше от прибора. Дети в возрасте от 3 до 8 лет должны только включать/выключать прибор при условии, что он размещен или установлен в нормальное рабочее положение, а дети находятся под контролем или проинструктированы о правилах безопасного использования прибора и понимают возможные опасности. Дети в возрасте от 3 до 8 лет не должны подключать, регулировать и чистить прибор или выполнять его обслуживание.

### 7. ЭЛЕКТРИЧЕСКАЯ СЕТЬ

Внимание! Во избежание повреждения, вызванного случайным отключением теплового

выключателя, это устройство не должно получать электропитание через внешнее переключающее устройство, такое как таймер, или не должно быть подключено к электросети, которая запрограммирована на регулярное включение и отключение. **ВНИМАНИЕ!** Некоторые части этого прибора могут стать очень горячими и вызвать ожоги. Следует быть особо внимательным, если рядом находятся дети и лица с ограниченными возможностями.

**ВНИМАНИЕ!** Во избежание перегрева, не накрывайте электрический камин.

## Общая информация

Используйте в этом приборе только фильтрованную воду.

Прибор следует устанавливать только на ровной поверхности.

Несмотря на то, что этот обогреватель соответствует нормам безопасности, мы не рекомендуем использовать его в помещениях, где уложено ковровое покрытие с длинным ворсом.

Примечание. Если прибор используется в помещении с низким уровнем фонового шума, то можно услышать звук, создаваемый эффектом пламени. Это нормальное явление, которое не должно служить причиной для беспокойства.

Прибор может выключиться в ответ на скачок напряжения в сети. Это нормальное средство защиты; прибор возобновит работу через 30 секунд.

После установки нельзя перемещать и опрокидывать прибор, предварительно не слив воду из поддона и бака. Если устройство не будет использоваться более 1 неделя, слейте воду из поддона и бака и протрите поддон.

Бак для воды, поддон, крышку поддона, пробку бака и воздушные фильтры следует очищать каждые неделя, в особенности в регионах с жесткой водой.

Нельзя использовать прибор, если лампы не работают.

Лампы следует регулярно проверять, как описано в разделах «Техобслуживание» и «Замена ламп».

Поддон и бак для воды в этом приборе обрабатываются бактерицидным веществом, серебряным бактерицидом. Это отвечает самым последним требованиям соответствующего стандарта ИСО

Резкая смена температуры (например, перемещение прибора с мороза в теплое помещение) может вызвать конденсацию влаги внутри прибора и нарушить его работоспособность при включении.

Прибор после транспортировки или хранения при отрицательной температуре наружного воздуха, должен отстояться в теплом помещении не менее 3 часов, после чего можно осуществлять его ввод в эксплуатацию.

## Указания по установке

**Электрическое подключение.**

**ВНИМАНИЕ – ПРИБОР ДОЛЖЕН БЫТЬ ЗАЗЕМЛЕН.**

Этот камин питается от сети переменного тока ~ напряжение питания должно соответствовать установленному для камина.

Перед включением прочитайте инструкцию по безопасности и работе.

**СОХРАНИТЕ ЭТУ ИНСТРУКЦИЮ**

**Не помещайте пластиковые детали в посудомойку.**

Если надо наполнить резервуар или поменять лампочку – просто вытащите золотник, иначе вы неосторожно измените уровень воды и функцию пламени.

Использовать воду с максимальной жесткостью 10 dH.

Камин должен всегда стоять на ровной поверхности.

Если устройство не будет использоваться более 1 неделя, слейте воду из поддона и бака и протрите поддон.

После установки не перемещайте камин и не опрокидывайте его без выпуска воды из резервуара и отстойника.

Бак для воды, поддон, крышку поддона, пробку бака и воздушные фильтры следует очищать каждые неделя, в особенности в регионах с жесткой водой.

При неработающих лампочках эффект пламени не работает.

Лампочки регулярно проверять по инструкции 'Обслуживание' и 'Замена лампочек.

щательно удалите упаковку (прочитайте внимательно все предупреждения).

Сохраняйте упаковку для возможного будущего использования.

Упаковку оставьте на будущее для возможного перемещения или возврата продавцу.

Для уменьшения потерь тепла мы рекомендуем прикрывать дымоход, оставляя небольшое отверстие для вентиляции.

Установка

Аккуратно установите камин. Подключите его к розетке 13A/240В. Проложите шнур питания безопасно от огня и возможного механического воздействия.

Перед подключением прочитайте следующую инструкцию.

## Использование камина

Перед использованием органов управления вначале заполните резервуар (См. 'Обслуживание', 'Заполнение резервуара').

Органы управления.

Органы управления помещаются позади золотника. (См. Fig.2)


Кнопка 'А':- включение питания.

Помните: эта кнопка должна быть в положении ( I ) для включения камина.

Переключатель 'В':- управляет функциями камина.

**Одним нажатием  включается пламя.** Один звонок.

Загорается!! индикатор питания, а эффект включается через 30 секунд.

Нажатие  переключает камин в режим ожидания.

Один звонок.

Ручка 'С':- Интенсивность эффекта пламени.

Поворот ручки по часовой стрелке увеличивает эффект пламени, и наоборот, поворот против часовой стрелки – уменьшает эффект.

Когда резервуар пуст лампочка питания гаснет. См. инструкции 'Обслуживание', 'Заполнение резервуара'.

После окончания этих процедур лампочка питания загорится, но эффект пламени вернется спустя 30 секунд.


Управление с пульта

### дистанционного контроля (ПДУ)

Кнопка А (см. Fig.2) на панели управления должна быть в положении включено ( I ). На ПДУ есть 2 кнопки. (См. Fig.7)

Для управления, ПДУ надо направлять на камин.

ПДУ управляет следующим:

- I Однократное нажатие включает только эффект пламени.**  
**Подтверждается одним звонком.**
-  Ожидание**  
**Это подтверждается одним звонком.**

Информация о батарейках.

1. Отщелкните крышку батарейного отсека ПДУ. (См. Fig.7)

2. Вставьте батарейки размера AAA в ПДУ.

3. Закройте отсек крышкой.

### Уберите старые батарейки.

Обращайтесь с ними в соответствии с местным законодательством.

Батарейки могут потечь, если смешаны разные типы, если неправильно вставлены, если заменяются не в одно время, если подверглись воздействию пламени, либо при попытке их перезарядить.

### Советы по использованию камина.

1. Если пришло время дополнить резервуар или сменить лампочку – просто выдвиньте золотник, иначе в отстойнике может оказаться лишняя вода, а эффект пламени пригаснуть. Если это случилось – слейте воду из отстойника как описано в инструкции по обслуживанию.

2. При минимальном эффекте пламени камин потребляет примерно 40 мл воды в час и работает в 3 раза дольше, чем при максимальном эффекте.

3. Не наклоняйте и не перемещайте камин, если в резервуаре или отстойнике есть вода.

4. Камин должен стоять на ровном полу.

5. Ручка 'С' (Fig.2) регулирует реалистичность эффекта.

6. Иногда при малом положении ручки эффект кажется более реалистичным.

7. Регулируя эффект, дайте прибору время отреагировать.

Обслуживание

### ПРЕДУПРЕЖДЕНИЕ: ПЕРЕД ЛЮБЫМ ОБСЛУЖИВАНИЕМ ОТКЛЮЧИТЕ КАМИН ОТ СЕТИ

Установка запасных лампочек.

Появление большого количества серого или бесцветного дыма может свидетельствовать о том, что одна или несколько лампочек вышли из строя.

Проверить лампочки можно следующим образом.

1. Оставив эффект пламени откройте золотник. (См. Fig.3)
2. Осмотрите лампочки и найдите те, что нуждаются в замене.
3. Выключатель 'А' выключить и отключить камин от сети.
4. Дайте 20 минут лампочкам остыть.
5. Снимите резервуар вверх.
6. Снимите отстойник как описано в главе Очистка.
7. Аккуратно снимите лампу вверх (См. Fig. 4 и 5). Замените лампой Dimplex Opti-myst, 12V, 50W, Gu5.3 base, 8° beam angle, coloured lamp. (Поставщик [www.dimplex.co.uk](http://www.dimplex.co.uk) раздел 'After Sales Service', детали поставки там.)
8. Аккуратно вставьте лампу. Вдавите. (См. Fig.4 и 5).
9. Вставьте отстойник и резервуар и аккуратно закройте золотник.
10. Включите камин.

Заполнение резервуара.

При опустевшем резервуаре эффект пламени и дыма прекращается и раздается 2 звоночка. Заполните резервуар следующим образом:

1. Выключатель 'А' в положение (0). (См. Fig.2)
2. Выдвиньте золотник до отказа. (См. Fig.3)
3. Снимите резервуар вверх и наружу.
4. Поместите резервуар в раковину и снимите колпачок (открывается против часовой стрелки). (См. Fig.6)
5. Заполните резервуар водопроводной водой жесткостью не более 10 dH. Это необходимо для долгого срока службы генератора пламени и дыма. Не пользоваться удалителями накипи.
6. Завинтите колпачок, не перекрутите.
7. Вставьте обратно резервуар крышкой вниз, а плоской стороной наружу.
8. Один раз нажмите кнопку 'В' для появления эффекта пламени. (См. Инструкцию управления и Fig.2).
9. Выключатель 'А' в положение ( I ) (См. Fig.2)
10. Аккуратно вдвиньте золотник.

Очистка

### ПРЕДУПРЕЖДЕНИЕ – ПЕРЕД ОЧИСТКОЙ КАМИНА ВСЕГДА ОТКЛЮЧАЙТЕ ЕГО ОТ СЕТИ.

Рекомендуем каждые неделя выполнять чистку следующих компонентов, особенно в местах с жесткой водой в водопроводе: резервуар, отстойник и прокладку, колпачок отстойника, колпачок резервуара и прокладку, воздушный фильтр.

Очистку нужно проводить чистой тряпочкой – никогда не пользуйтесь абразивными чистящими средствами. Иногда для очистки от пыли и пуха выходной решетки вентилятора можно воспользоваться волосяной насадкой пылесоса.

Резервуар

1. Снимите резервуар, как это описано выше, поместите в раковину и слейте воду.
2. Пользуясь щеткой из комплекта, осторожно очистите внутреннюю поверхность, обратив особое внимание на резиновый уплотнитель во внешней канавке и на центральный уплотнитель.
3. Залейте в резервуар немного моющей жидкости, закройте крышкой и хорошенько потрясите, затем хорошо ополосните водой из-под крана.
4. Заполните водопроводной водой жесткостью не более 10°, закройте крышкой, не перетяните ее.
5. Не пользуйтесь удалителями накипи, это сокращает срок службы дымохода.

Отстойник

1. Переключатель 'А' в положение (0)
2. Осторожно выдвинуть золотник до отказа. (См Fig.3)
3. Снимите резервуар вверх.
4. Отключите электрический разъем слева, сначала открутив два фиксирующих винта (См. Fig.8)
5. Поворотом на 90° освободите фиксирующие ушки (См. Fig.9)
6. Осторожно, стараясь не вылить содержимое, снимите отстойник вверх и поместите отстойник в раковину . (См. Fig.10)
7. Повернув на 90° фиксирующие ушки, снимите крышку. (См. Fig.11)
8. Слейте отстой в раковину. (См. Fig.12)



9. Налейте немного моющей жидкости и с помощью щетки из комплекта осторожно прочистите все поверхности, включая металлические диски и резиновый уплотнитель в верхней канавке. Не удаляйте уплотнители. (См Fig.13 и 14)
10. После очистки хорошенько прополощите отстойник чистой водой.
11. Очистите крышку отстойника и прополощите чистой водой (См. Fig.15 и 16)
12. Сборка отстойника в обратном порядке.

#### **Воздушный фильтр.**

1. Осторожно выдвинуть золотник до отказа. (См. Fig.3).
2. Переключатель 'A' в положение (0) (См. Fig.2)
3. Снимите резервуар и поместите его в раковину колпачком вверх.
4. Осторожно снимите вверх пластиковый держатель. (См. Fig.17)
5. Выньте фильтр из держателя.
6. Промойте фильтр проточной водой и осушите полотенцем.
7. Вставьте фильтр в держатель так, чтобы черный слой не контактировал с держателем. (См. Fig.18)
8. Установите резервуар на место.
9. переключатель 'A' в положение ( I ) (См. Fig.2).
10. Задвиньте золотник.

### **Дополнительная информация**

#### **ПОСЛЕПРОДАЖНОЕ ОБСЛУЖИВАНИЕ**

Гарантия на изделие действует в течение двух лет, начиная с даты его приобретения. На протяжении этого времени мы обязуемся бесплатно выполнять ремонт или замену изделия (кроме ламп, с учетом наличия деталей и изделий) при условии, что установка и эксплуатация выполнялись в соответствии с данными инструкциями. Ваши права по этой гарантии дополняют законные права потребителя и не ущемляют их.

#### **УТИЛИЗАЦИЯ**



Для электроприборов, проданных на территории ЕС: приборы, выработавшие свой ресурс, не подлежат утилизации вместе с бытовыми отходами. Утилизация должна осуществляться в специально оборудованных местах. Для получения информации о правилах утилизации обращайтесь в местные органы власти или в магазин.

#### **ПАТЕНТЫ И ЗАЯВКИ НА ПОЛУЧЕНИЕ ПАТЕНТОВ**

Изделия Optimyst защищены одним или сразу несколькими патентами либо заявками на получение патентов:

Великобритания: GB 2402206, GB 2460259, GB 2460453, GB 2418014, GB 2465738, GB 2449925, GB 2465537, GB 2455277, GB1020534.2, GB1020537.5, GB1110987.3

США: US 7967690, US 2010299980, US 2011062250, US 2008028648, US 13/167042

Россия: RU 2008140317

Европа: EP 2029941, EP 2201301, EP 2315976, EP 1787063, EP 07723217.1, EP 11170434.2, EP 11170435.9

Китай: CN 101883953, CN 200980128666.2, CN 101057105, CN 101438104

Австралия: AU 2009248743, AU 2007224634

Канада: CA 2725214, CA 2579444, CA 2645939

Заявка на получение международного патента: WO 2006027272

Южная Африка: ZA 200808702

Мексика: MX 2008011712

Корея: KR 20080113235

Япония: JP 2009529649

Бразилия: BR P10708894-9

Индия: IN 4122/KOLNP/2008

Новая Зеландия: NZ 571900

## Устранение неисправностей

Симптом	Причина	Необходимые действия
Эффект пламени не возникает	<p>Вилка не включена в розетку.</p> <p>Переключатель А в положении (I), но переключатель режимов В не нажат. (См. Fig.2)</p> <p>Низкий уровень воды.</p> <p>Электрический разъем низкого напряжения неправильно подключен. (См. Fig.8)</p>	<p>Проверьте подключение вилки к розетке.</p> <p>Один раз нажмите переключатель В (См. Fig.2)</p> <p>Проверьте наличие воды в резервуаре и отстойнике.</p> <p>Проверьте правильность подключения разъема. (См. Fig.8)</p>
Эффект пламени слаб	<p>Ручка регулировки эффекта слишком закручена. (См. Fig.2)</p> <p>Слишком много воды в отстойнике из-за того, что золотник несколько раз выдвигался и вдвигался, резервуар снимался несколько раз, либо камин передвигался.</p> <p>Металлический диск в основании отстойника загрязнился (См. Fig.13)</p>	<p>Ручкой С подрегулируйте эффект. (См. Fig.2)</p> <p>Если уровень воды в отстойнике выше 40 мм, отстойник необходимо вынуть, а воду слить в раковину.</p> <p>Очистите металлический диск щеткой из комплекта. (См. Fig.13) Подробно смотрите «Обслуживание».</p>
При работе камина исходит неприятный запах	<p>Грязная или застоявшаяся вода.</p> <p>Нефильтрованная водопроводная вода.</p>	<p>Очистить камин как рассказано в разделе про обслуживание.</p> <p>Использовать воду жесткостью не выше 10 dH.</p>
Эффект пламени выделяет слишком много дыма.	Установлен слишком высокий уровень эффекта пламени.	Повернуть ручку С на минимум и затем вращать обратно по ¼ оборота. Дайте время генератору пламени отреагировать. (См. Fig.2)
Лампы не работают, нет пламени или дыма.	Нет воды в резервуаре.	<p>По инструкции раздела Обслуживание заполните резервуар.</p> <p>Проверьте включение вилки в розетку. Переключатель 'А' Fig. 2 в положение ( I ). Нажимайте переключатель 'В' Fig.2 до одинарного звонка.</p>

Производитель  
Глен Димплекс Ирландия  
Барн Роад Данлир Ко. Лаут,  
Ирландия



Импортер: ООО "АЛЕТ"  
Юр. адрес: 115432, Россия,  
г. Москва, пр-т Андропова,  
д. 18, корпус 5, 7 этаж

## Introduction

Veuillez lire attentivement ce mode d'emploi afin d'installer, d'utiliser et d'entretenir votre produit en toute sécurité.

## Consignes de sécurité importantes

Lors de l'utilisation d'appareils électriques, veuillez toujours à prendre des précautions élémentaires pour réduire les risques d'incendie, de choc électrique et de blessures corporelles, parmi lesquelles :

### 1. SURCHAUFFE

**AVERTISSEMENT** : Afin d'éviter toute surchauffe, ne couvrez pas l'appareil. Ne placez pas de matériaux ou de vêtements sur l'insert et n'entravez pas la circulation de l'air autour du chauffage. Le chauffage porte une étiquette de mise en garde **NE PAS COUVRIR**.

### 2. DOMMAGES.

Si l'appareil est endommagé, consultez le fournisseur avant de procéder à son installation et son utilisation.

Si le cordon d'alimentation est endommagé, il doit être remplacé par le fabricant, un réparateur ou toute personne suffisamment qualifiée afin d'écartier tout danger.

### 3. EMBLACEMENT

N'utilisez pas cet appareil en extérieur.

Ne l'utilisez pas à proximité immédiate d'une baignoire, d'une douche ou d'une piscine.

N'installez pas le chauffage juste en dessous d'une prise murale ou d'un boîtier de raccordement.

Assurez-vous que les meubles, les rideaux ou les autres matériaux combustibles sont placés à au moins 1 mètre du chauffage.

Bien que cet appareil de chauffage soit conforme aux normes de sécurité, nous vous recommandons de ne pas l'utiliser sur une moquette épaisse ou sur des tapis à poils longs.

### 4. EMBLACEMENT DE LA PRISE

L'appareil doit être placé de sorte que la fiche électrique ou le dispositif d'isolement soient accessibles.

Le cordon d'alimentation ne doit pas passer devant l'appareil.

### 5. UTILISATION DES AUTRES COMMANDES

N'utilisez pas l'appareil de chauffage en série avec un régulateur thermique, un système de commande programmé, une minuterie ou tout autre dispositif déclenchant automatiquement de la chaleur, car il existe un risque d'incendie lorsque l'appareil de chauffage est accidentellement recouvert ou déplacé.

### 6. DÉBRANCHEMENT

En cas de défaillance, débrancher la fiche ou agir sur le dispositif.

Débrancher la fiche ou agir sur le dispositif d'isolement en cas de non-utilisation prolongée.

### 7. PROPRIÉTAIRE/UTILISATEUR

Cet appareil peut être utilisé par des enfants âgés d'au moins 8 ans et des personnes aux capacités physiques, sensorielles ou mentales réduites ou manquant d'expérience et de connaissances, pourvu qu'ils bénéficient d'une surveillance ou d'instructions quant à l'utilisation de l'appareil de façon sécurisée et qu'ils comprennent les risques encourus. Les enfants ne doivent pas jouer avec cet appareil.

Son nettoyage et son entretien ne doivent pas être effectués par des enfants laissés sans surveillance. Les enfants âgés de moins de 3 ans doivent être tenus à distance de l'appareil, à moins qu'ils ne soient surveillés en permanence. Les enfants âgés de 3 ans et plus et de moins de 8 ans peuvent uniquement allumer/éteindre l'appareil, pourvu qu'il soit placé ou installé dans sa position d'utilisation normale, qu'ils bénéficient d'une surveillance ou d'instructions quant à l'utilisation de l'appareil de façon sécurisée et qu'ils comprennent les risques encourus. Les enfants de 3 ans et plus et de moins de 8 ans ne peuvent pas brancher, régler, nettoyer l'appareil ni procéder à son entretien.

### 8. ÉLECTRICITÉ

**AVERTISSEMENT** : CET APPAREIL DOIT ÊTRE RELIÉ À LA TERRE

Cet appareil de chauffage doit être utilisé en courant alternatif uniquement et la tension d'alimentation du secteur doit correspondre à la tension indiquée sur l'appareil.

Lisez attentivement les consignes de sécurité et les instructions d'utilisation avant de mettre l'appareil en marche.

**ATTENTION** : certaines pièces de ce produit peuvent chauffer à très forte température et provoquer des brûlures. Faire particulièrement attention en présence d'enfants et de personnes vulnérables.

## Informations générales

Utilisez uniquement de l'eau filtrée dans cet appareil.

Veillez toujours à ce que l'appareil repose sur un sol plat, de niveau.

Bien que cet appareil de chauffage soit conforme aux normes de sécurité, nous vous recommandons de ne pas l'utiliser sur une moquette épaisse ou sur des tapis à poils longs.

Remarque : l'effet flamme s'accompagne d'un son audible dans un environnement silencieux. Ce son est normal et ne doit pas être une source d'inquiétude.

Si, pour une raison quelconque, cet appareil subit une surtension, il se court-circuite. Il s'agit d'une caractéristique de sécurité normale et le produit reprendra son fonctionnement normal au bout de 30 secondes.

Une fois installé, veillez à ne jamais déplacer ni mettre cet appareil à plat sur le dos sans vidanger l'eau du bac et du réservoir d'eau.

Si vous prévoyez de ne pas utiliser l'appareil pendant plus d'une semaine, vidangez l'eau du bac et du réservoir d'eau puis séchez le bac.

Le réservoir d'eau, le bac, le couvercle du bac, le bouchon du réservoir et les filtres à air doivent être nettoyés une fois par semaine, en particulier dans les zones où l'eau est dure.

N'utilisez jamais l'appareil si les ampoules ne fonctionnent pas.

Contrôlez régulièrement les ampoules, comme décrit dans les chapitres « Entretien » et « Remplacement des ampoules ». Le carter et le réservoir d'eau de ce produit sont traités à l'aide d'un produit biocide, le Silver Biocide. Ceci est conforme à la dernière norme ISO applicable

Un brusque changement de température (par exemple déplacer l'appareil d'un endroit exposé au gel à une pièce chauffée) peut provoquer une condensation de l'humidité à l'intérieur de l'appareil et perturber son bon fonctionnement lors de sa mise en marche.

Après avoir été transporté ou remis à l'air libre sous une température négative, l'appareil doit être conservé dans une pièce chauffée pendant au moins 3 heures, après quoi il pourra être mis en service.

## Instructions d'installation

**Branchement électrique.**

**AVERTISSEMENT - CET APPAREIL DOIT ÊTRE RELIÉ À LA TERRE.**

Cet insert doit être utilisé en courant alternatif uniquement et la tension d'alimentation du secteur doit correspondre à la tension indiquée sur l'appareil.

Lire attentivement les consignes de sécurité et les instructions d'utilisation avant de mettre l'insert en marche.

**CONSERVER CE GUIDE D'UTILISATION POUR POUVOIR LE CONSULTER ULTÉRIEUREMENT**

**Ne pas passer les éléments en plastique au lave-vaisselle.**

**Faire coulisser le tiroir uniquement lorsque le réservoir d'eau doit être rempli ou qu'une ampoule doit être remplacée, sinon le niveau d'eau et le fonctionnement de l'effet flamme risquent d'être modifiés par inadvertance.**

**Utiliser de l'eau du robinet uniquement, d'une dureté maximale de 10 dH.**

**Toujours veiller à ce que l'insert repose sur une surface plane.**

**Si une période de non-utilisation de plus de 2 semaines est prévue, vidanger l'eau du bac et du réservoir d'eau et sécher le bac.**

**Une fois installé, ne jamais déplacer cet insert ou le mettre à plat sur le sol sans vidanger l'eau du bac et du réservoir d'eau.**

**Le réservoir d'eau, le bac, le couvercle du bac, le bouchon du réservoir et les filtres à air doivent être nettoyés une fois toutes les deux semaines, en particulier dans les régions où l'eau est calcaire.**

**Ne jamais utiliser l'insert si les ampoules ne fonctionnent pas.**

**Les ampoules doivent être régulièrement contrôlées comme décrit à la section « Entretien », « Remplacement des ampoules ».**

**Instructions d'installation**

**Veiller à retirer tous les emballages (lire attentivement les étiquettes de sécurité).**

**Conserver tous les emballages pour une éventuelle utilisation ultérieure, que ce soit pour un déménagement ou un retour en usine.**

**Pour réduire les pertes de chaleur et empêcher que l'appel d'air de la cheminée n'affecte le fonctionnement de l'insert, nous conseillons d'obturer le conduit de cheminée et de ne laisser qu'un petit passage pour la ventilation.**

Pour installer l'appareil :

Tenir l'insert par les côtés du cadre et le mettre soigneusement en place. Brancher l'insert sur une prise de 13 ampères / 240 volts. Veiller à ce que le câble d'alimentation sorte sur le devant de l'insert, à droite ou à gauche en fonction de l'emplacement de la prise électrique, et qu'il ne soit pas prisonnier sous l'insert, ce qui pourrait l'endommager.

Lire attentivement les instructions suivantes avant de mettre l'appareil en marche.

**Avant d'utiliser les commandes manuelles, remplir tout d'abord le réservoir d'eau (voir « Entretien », « Remplissage du réservoir d'eau »).**

## Fonctionnement de l'insert

Les commandes manuelles se trouvent derrière le tiroir.

(voir Fig.2 pour connaître la disposition des commandes manuelles)

Interrupteur « A » : commande l'alimentation électrique de l'insert.

Remarque : Cet interrupteur doit se trouver en position « MARCHE » ( I ) pour que l'insert fonctionne.

Interrupteur « B » : commande le fonctionnement de l'insert.

**Appuyer une fois sur  pour mettre en marche l'effet flamme.** Un bip sonore retentit.

Bien que les ampoules principales fonctionnent immédiatement, 30 secondes supplémentaires sont nécessaires pour que l'effet flamme démarre.

**Appuyer sur  pour mettre l'insert en veille.**

Un bip sonore retentit.

Bouton « C » : commande l'intensité de l'effet flamme.

Tourner le bouton dans le sens horaire augmente l'effet flamme, tourner le bouton dans le sens antihoraire diminue l'effet flamme.

Lorsque le réservoir d'eau est vide, les ampoules principales s'éteignent. Voir les instructions de la section « [Entretien](#) », « [Remplissage du réservoir d'eau](#) ». Une fois cette opération effectuée, les ampoules principales s'allument mais 30 secondes sont nécessaires pour que les flammes réapparaissent.

### Fonctionnement à distance

Sur le panneau de commande, l'interrupteur A (voir Fig.2) doit être en position « MARCHE » ( I ) pour que la télécommande fonctionne. La télécommande comporte 2 boutons. (voir Fig.7)

Pour fonctionner correctement, la télécommande doit être dirigée vers l'effet flamme.

Les fonctions de la télécommande sont les suivantes :

**I Appuyer une fois pour allumer l'effet flamme uniquement.**  
Un bip sonore retentit.



**Veille**

Un bip sonore retentit.

### Informations concernant les piles.

1. Retirer le couvercle des piles à l'arrière de la télécommande. (voir Fig.7)
2. Installer des piles AAA dans la télécommande.
3. Remettre en place le couvercle des piles.

### Mettre au rebut toute pile présentant des fuites.

Mettre au rebut les piles conformément aux réglementations locales applicables.

L'électrolyte de toute pile est susceptible de fuir si des piles de type différent sont installées ensemble, si les piles sont installées de manière incorrecte, si toutes les piles ne sont pas remplacées simultanément, si les piles sont jetées dans un feu ou en cas de tentative de charge d'une pile non rechargeable.

### Astuces concernant l'utilisation de l'appareil.

1. Faire coulisser le tiroir uniquement lorsque le réservoir d'eau doit être rempli ou qu'une ampoule doit être remplacée, sinon un excédent d'eau risque de se trouver dans le bac et l'effet flamme sera réduit. Si cela se produit, vider l'eau du bac selon les instructions de la section « Entretien ».
2. En réglant les flammes au minimum et non pas au maximum, l'appareil utilise environ 40 ml d'eau par heure et a une durée de vie 3 fois plus longue.
3. Ne pas incliner ou déplacer l'insert tant qu'il y a de l'eau dans le réservoir ou le bac.
4. Veiller à ce que l'insert soit placé sur une surface plate.
5. Le bouton « C » (voir Fig.2) de réglage des flammes peut être utilisé pour augmenter ou diminuer l'effet.
6. Quelquefois, les flammes semblent plus réelles lorsque ce bouton est réglé sur une position basse.
7. Donner au générateur de flammes le temps de réagir aux modifications apportées à l'aide du bouton de réglage des flammes.

### **AVERTISSEMENT : DÉBRANCHER L'APPAREIL DU SECTEUR AVANT DE RÉALISER TOUTE OPÉRATION D'ENTRETIEN**

#### **Remplacement des ampoules.**

Si une grande quantité de fumée semble grise ou incolore, il se peut qu'une ou plusieurs ampoules soient défectueuses. L'état des ampoules peut être vérifié comme suit.

1. En laissant l'effet flamme allumé, ouvrir complètement le tiroir et faire coulisser délicatement le tiroir à fond en le tirant par la languette. (voir Fig.3)
2. Observer les ampoules à une certaine distance du devant de l'insert et déterminer quelles ampoules doivent être remplacées.
3. Mettre l'interrupteur « A » en position « ARRÊT » et débrancher l'insert du secteur.
4. Attendre environ 20 minutes pour permettre aux ampoules de se refroidir avant de les retirer.
5. Retirer le réservoir d'eau en le soulevant vers le haut et le placer dans un évier.
6. Retirer le bac tel que décrit dans la section Nettoyage.
7. Retirer l'ampoule défectueuse en la soulevant délicatement à la verticale et en sortant les broches de leur support (voir Fig.4 et 5). Remplacer par une ampoule de couleur Optimyst originale, 12 V, 45 W, base Gu5.3, avec faisceau de 8°. Ces ampoules sont disponibles chez votre revendeur.
8. Insérer soigneusement les deux broches de l'ampoule neuve dans les deux orifices du support de l'ampoule. Appuyer fermement sur l'ampoule pour la mettre en place (voir Fig.4 et 5).
9. Remettre en place le bac et le réservoir d'eau et refermer soigneusement le tiroir.
10. Mettre sous tension.

#### **Remplissage du réservoir d'eau.**

Lorsque le réservoir d'eau est vide, l'effet flamme et fumée s'arrête et 2 « bips » retentissent. Effectuer les opérations suivantes pour le réapprovisionner :

1. Mettre l'interrupteur « A » en position **(0)**. (voir Fig.2)
2. Faire coulisser le tiroir aussi loin que possible en le tirant par la languette. (voir Fig.3)
3. Retirer le réservoir d'eau en le soulevant vers le haut et vers l'extérieur.
4. Placer le réservoir d'eau dans l'évier et enlever le bouchon (sens antihoraire) pour l'ouvrir. (voir Fig.6)
5. Remplir le réservoir d'**eau du robinet, d'une dureté maximale de 10 dH**. Cela est nécessaire pour prolonger la durée de vie du générateur de flammes et de fumée.  
Dans les zones où la dureté de l'eau est particulièrement élevée, il faut procéder à un filtrage (par exemple à l'aide d'un filtre Maxtra). **Ne pas utiliser de détartrant.**
6. Revisser le bouchon **sans trop le serrer**.
7. Remettre en place le réservoir dans le bac, en tournant le bouchon du réservoir vers le bas et en tournant le côté plat du réservoir vers l'extérieur.
8. Appuyer une fois sur l'interrupteur « B » pour allumer l'effet flamme. (voir section sur les commandes manuelles et la Fig.2)
9. Mettre l'interrupteur « A » en position « MARCHÉ » **( I )**. (voir Fig.2)
10. Repousser le tiroir aussi loin que possible.

#### **Nettoyage.**

##### **AVERTISSEMENT – DÉBRANCHER L'ALIMENTATION SECTEUR AVANT DE NETTOYER L'INSERT.**

Nous vous conseillons de nettoyer les éléments suivants une fois toutes l'une semaine, en particulier dans les régions où l'eau est calcaire :

réservoir d'eau, bac et joint, couvercle du bac, bouchon du réservoir et joint, filtre à air.

Pour un nettoyage régulier, utiliser un chiffon à poussière doux et ne jamais utiliser de produits nettoyants abrasifs. Utiliser la brosse douce d'un aspirateur de temps à autre pour nettoyer la grille du ventilateur et éliminer la poussière et les peluches qui se sont accumulées.

#### **Réservoir d'eau**

1. Retirer le réservoir d'eau comme décrit précédemment, le placer dans un évier et vider l'eau.
2. À l'aide de la brosse fournie, frotter délicatement les surfaces intérieures du bouchon en faisant particulièrement attention à la bague en caoutchouc de la rainure extérieure et au joint central en caoutchouc.
3. Mettre une petite quantité de détergent dans le réservoir, remettre en place le bouchon et bien secouer. Rincer jusqu'à ce que toutes les traces de détergent disparaissent.
4. Remplir avec de l'eau du robinet d'une dureté maximale de 10 dH, remettre en place le bouchon sans trop serrer.
5. Ne pas utiliser de détartrant pour le nettoyage de l'appareil. Cela pourrait écourter la durée de vie du générateur de fumée.

## Bac

1. Mettre l'interrupteur « A » en position « ARRÊT » (0).
2. Faire coulisser délicatement le tiroir aussi loin que possible. (voir Fig.3)
3. Retirer le réservoir d'eau en le soulevant vers le haut.
4. Débrancher le connecteur électrique placé du côté gauche du bac en desserrant tout d'abord les deux vis de retenue et en le dégageant soigneusement. (voir Fig.8)
5. Relâcher les attaches inférieures de maintien du bac en les tournant de 90°. Cela permet de dégager complètement le bac. (voir Fig.9)
6. Soulever délicatement le bac en veillant à le maintenir droit de façon à ne pas renverser l'eau. Placer l'ensemble dans l'évier. (voir Fig.10)
7. Libérer les deux attaches supérieures de maintien du bac en les tournant de 90°, puis soulever le couvercle du bac. (voir Fig.11)
8. Incliner délicatement, comme illustré, de façon à vidanger le liquide du bac. (voir Fig.12)
9. Placer une petite quantité de détergent dans le bac et, à l'aide de la brosse fournie, nettoyer délicatement toutes les surfaces y compris le disque métallique et le joint en caoutchouc qui se trouve dans la surface rainurée supérieure. **Ne pas retirer les joints en caoutchouc.** (voir Fig.13 et 14)
10. Une fois nettoyé, rincer soigneusement le bac avec de l'eau propre.
11. Nettoyer la surface de sortie du couvercle du bac avec la brosse et rincer abondamment à l'eau. (voir Fig.15 et 16)
12. Procéder aux étapes ci-dessus dans l'ordre inverse pour remonter l'ensemble.

## Filtre à air.

1. Faire coulisser délicatement le tiroir aussi loin que possible. (voir Fig.3).
2. Mettre l'interrupteur « A » en position « ARRÊT » (0) (voir Fig.2)
3. Retirer le réservoir d'eau et le placer dans un évier avec le bouchon tourné vers le haut.
4. Faire coulisser délicatement le support en plastique du filtre à air vers le haut. (voir Fig.17)
5. Retirer l'ensemble filtre du support en plastique.
6. Le rincer soigneusement à l'eau dans l'évier et le sécher avec une serviette en tissu avant de le remettre en place.
7. Remettre en place l'ensemble filtre en veillant à ce que le filtre noir épais soit en contact avec le support en plastique. (voir Fig.18)
8. Remettre en place le réservoir.
9. Mettre l'interrupteur « A » en position « MARCHÉ » (I) (voir Fig.2).
10. Fermer complètement le tiroir.

## Informations supplémentaires

### Recyclage.



Pour les produits électriques vendus au sein de l'Union Européenne. Les produits électriques ne doivent pas être mis au rebut avec les déchets ménagers lorsqu'ils arrivent en fin de vie. Veiller à les recycler dans les endroits prévus à cet effet. Contacter l'administration locale ou le revendeur pour connaître la procédure de recyclage en vigueur.

### Service après-vente

Pour obtenir une assistance après-vente, contacter le fournisseur auprès duquel l'appareil a été acheté.

## Dépannage

Symptôme	Cause	Action corrective
L'effet flamme ne démarre pas.	<p>La fiche n'est pas branchée sur une prise secteur.</p> <p>L'interrupteur A est en position « MARCHE » (I), mais l'interrupteur de mode B n'a pas été enfoncé. (voir Fig.2)</p> <p>Faible niveau d'eau.</p> <p>Le connecteur basse tension n'est pas branché correctement (voir Fig.8)</p>	<p>S'assurer que le connecteur basse tension est correctement branché.</p> <p>Appuyer une fois sur l'interrupteur B pour obtenir l'effet flamme. (voir Fig.2)</p> <p>Vérifier que le réservoir d'eau est plein et qu'il y a de l'eau dans le bac.</p> <p>Vérifier que le connecteur est inséré correctement. (voir Fig.8)</p>
L'effet flamme est trop faible.	<p>Le bouton de réglage de l'effet flamme est réglé trop bas. (voir Fig.2)</p> <p>Le niveau d'eau dans le bac est peut-être trop élevé parce que le tiroir a été ouvert et fermé un certain nombre de fois ou que le réservoir d'eau a été retiré un certain nombre de fois ou que l'insert a été déplacé.</p> <p>Le disque métallique situé à la base du bac est peut-être sale (voir Fig.13)</p>	<p>Augmenter le niveau des flammes en tournant lentement le bouton de réglage C vers la gauche. (voir Fig.2)</p> <p>Si le niveau d'eau dans le bac est supérieur à 40 mm, le bac doit être retiré et vidé dans un évier.</p> <p>Nettoyer le disque métallique à l'aide de la brosse souple fournie. (voir Fig.13). Voir la section « Entretien » pour connaître la procédure pas-à-pas.</p>
Une odeur désagréable se dégage lors de l'utilisation de l'appareil.	<p>Eau sale ou stagnante.</p> <p>Utilisation d'eau du robinet non filtrée.</p>	<p>Nettoyer l'appareil comme décrit dans la section Entretien.</p> <p>Utiliser de l'eau du robinet d'une dureté maximale de 10 dH uniquement.</p>
L'effet flamme produit trop de fumée.	L'effet flamme est réglé trop haut.	<p>Tourner le bouton de réglage C de l'effet flamme vers la droite, jusqu'à ce qu'il soit au minimum puis le tourner lentement vers la gauche, de ¼ de tour environ à la fois. Donner au générateur de flammes le temps de se régler avant de modifier le réglage. (voir Fig.2)</p>
Les ampoules principales ne fonctionnent pas et il n'y a pas de flammes ni de fumée.	Il n'y a pas d'eau dans le réservoir.	<p>Suivre les instructions de la section <b>Entretien</b>, « Remplissage du réservoir d'eau ».</p> <p>Vérifier que la fiche est correctement branchée sur une prise murale.</p> <p>L'interrupteur "A" de la Fig. 2 est en position « MARCHE » ( I ).</p> <p>Appuyer sur l'interrupteur « B » de la Fig.2 de manière qu'un seul bip sonore soit émis, signalant la mise en marche de l'effet flamme.</p>



## Einleitung

Bitte lesen Sie diese Hinweise für die sichere Inbetriebnahme, den Betrieb und die Wartung des Geräts sorgfältig durch.

## Wichtige Sicherheitshinweise

Beim Gebrauch von elektrischen Geräten sollten die grundlegenden Sicherheitsmaßnahmen immer befolgt werden, um das Risiko von Brandbildung, elektrischem Schock und Verletzungen zu minimieren. Das schließt Folgendes ein:

### 1. ÜBERHITZUNG

**ACHTUNG:** Um Überhitzungen zu vermeiden, darf das Heizgerät nicht zugedeckt werden. Keine Gegenstände oder Kleidungsstücke auf das Heizgerät legen und die Luftzirkulation um das Heizgerät herum nicht behindern.

Das Heizgerät verfügt über ein Warnschild mit dem Hinweis NICHT BEDECKEN.

### 2. SCHÄDEN.

Wenn das Gerät beschädigt ist, wenden Sie sich vor einer Installation und Inbetriebnahme an den Händler.

Wenn das Netzkabel beschädigt ist, muss es vom Hersteller, einer Kundendienstvertretung oder einer vergleichbar qualifizierten Person ausgetauscht werden, um Gefahren zu vermeiden.

### 3. STANDORT

Das Gerät darf nicht im Freien verwendet werden.

Nicht in unmittelbarer Nähe von Bädern, Duschen oder Schwimmbädern verwenden.

Das Heizgerät darf nicht unmittelbar unter einer Wandsteckdose oder einer Anschlussdose angebracht werden.

Möbel, Vorhänge und andere brennbare Stoffe dürfen sich nicht näher als 1 m vor dem Heizgerät befinden.

Zwar erfüllt das Heizgerät die Sicherheitsstandards, jedoch raten wir von einer Benutzung auf hochflorigen Fußbodenbelägen oder Teppichen ab.

### 4. STECKERPLATZIERUNG

Das Gerät muss so aufgestellt werden, dass der Netzstecker bzw. der Anschlusspunkt Das Stromversorgungskabel nicht in der Nähe der Vorderseite des Geräts verlegen.

### 5. VERWENDUNG ANDERER BEDIENELEMENTE

Das Heizgerät nicht zu einer Wärmeregulierung, einer Programmsteuerung, einer Zeitschaltuhr oder einem anderen Gerät in Reihe schalten, mit dem die Wärmequelle automatisch geschaltet wird. Bei versehentlicher Blockierung oder Verstellung des Heizgeräts besteht Brandgefahr.

### 6. NETZSTECKER ZIEHEN

Ziehen Sie bei einem Fehler den Netzstecker des Geräts oder trennen Sie das Gerät.

Ziehen Sie den Netzstecker des Geräts oder trennen Sie das Gerät, wenn es längere Zeit

### 7. BESITZER/ANWENDER

Dieses Gerät kann von Kindern über 8 Jahren, von Personen, deren körperliche oder geistige Unversehrtheit oder deren Wahrnehmungsfähigkeit eingeschränkt ist, sowie von Personen mit mangelnden Kenntnissen oder Erfahrung benutzt werden. Dies gilt nur unter der Voraussetzung, dass sie beaufsichtigt werden oder dass sie eine Einweisung in die sichere Nutzung des Geräts und die damit verbundenen Gefahren erhalten haben. Kinder dürfen mit dem Gerät nicht spielen. Reinigung und Wartung dürfen ohne Beaufsichtigung nicht von Kindern durchgeführt werden.

Kinder unter 3 Jahren sollten sich ohne Beaufsichtigung nicht in der Nähe des Geräts aufhalten. Kinder von 3 bis 8 Jahren sollten das Gerät nur ein- oder ausschalten dürfen, wenn es in der dafür vorgesehenen Betriebsposition montiert wurde. Dies gilt nur unter der Voraussetzung, dass sie beaufsichtigt werden oder dass sie eine Einweisung in die sichere Nutzung des Geräts und die damit verbundenen Gefahren erhalten haben. Kinder von 3 bis 8 Jahren dürfen das Gerät nicht an eine Steckdose anschließen, benutzen bzw. reinigen oder das Gerät warten.

### 8. STROMANSCHLUSS

**WARNUNG – DIESES GERÄT MUSS GEERDET WERDEN.**

Das Heizgerät darf nur an eine Wechselstromversorgung angeschlossen werden. Die auf dem Gerät angegebene Spannung muss mit der Versorgungsspannung übereinstimmen.

Lesen Sie vor dem Einschalten die Sicherheitshinweise und die Bedienungsanleitung durch.

**ACHTUNG** - Einige Bauteile dieses Produkts können sehr heiß werden und Verbrennungen verursachen. Achten Sie besonders darauf, wenn Kinder oder schutzbedürftige Personen anwesend sind.

## Allgemeine Informationen

In diesem Gerät darf nur gefiltertes Leitungswasser verwendet werden.

Immer darauf achten, dass das Gerät auf ebenem Untergrund steht.

Zwar erfüllt das Heizgerät die Sicherheitsstandards, jedoch raten wir von einer Benutzung auf hochflorigen Fußbodenbelägen oder Teppichen ab.

Bitte beachten: Bei Verwendung in Umgebungen mit wenigen Hintergrundgeräuschen sind Betriebsgeräusche aufgrund des Flammeneffekts unter Umständen hörbar. Dies ist normal und kein Grund zur Beunruhigung.

Im Falle einer unerwarteten Überspannung wird das Gerät zur Sicherheit abgeschaltet. Diese Sicherheitsabschaltung ist normal und das Gerät wird sich nach 30 Sekunden wieder einschalten.

Nach der Installation darf dieses Gerät nicht transportiert oder auf die Rückseite gelegt werden, ohne zuvor das Wasser aus dem Sumpf und Wassertank abzulassen.

Wenn Sie das Gerät länger als eine Woche nicht benutzen, lassen Sie das Wasser aus Sumpf und Wassertank ab und trocknen Sie den Sumpf.

Wassertank, Sumpf, Sumpfdeckel, Tankdeckel und Luftfilter müssen einmal wöchentlich gereinigt werden, insbesondere in Gebieten mit hartem Wasser.

Das Gerät darf auf keinen Fall in Betrieb gesetzt werden, wenn die Lampen nicht funktionieren.

Die Lampen sind wie unter „Wartung“ und „Lampenwechsel“ erläutert regelmäßig zu überprüfen.

Wanne und Wassertank dieses Produkts wurden mit dem Biozid-Produkt Silver Biocide behandelt. Dieses Produkt entspricht den aktuellsten ISO Richtlinien

Eine plötzliche Temperaturveränderung (z. B. wenn das Gerät von Frosttemperaturen in einen warmen Raum gebracht wird) kann zur Kondensation von Feuchtigkeit im Gerät führen und Betriebsstörungen beim Einschalten verursachen.

Nach Transport oder Lagerung bei Außentemperaturen im Frostbereich muss das Gerät mindestens 3 Stunden lang in einem warmen Raum gelagert werden, bevor es in Betrieb genommen wird.

## Installationsanleitung

### Elektrischer Anschluss.

#### **WARNUNG – DIESES GERÄT MUSS GEERDET WERDEN.**

Dieser Elektrokamin darf nur an eine Wechselstromversorgung (abgekürzt AC) angeschlossen werden. Die auf dem Kamin angegebene Spannung muss mit der Versorgungsspannung übereinstimmen.

Lesen Sie vor dem Einschalten die Sicherheitshinweise und die Bedienungsanleitung durch.

#### **DIE VORLIEGENDE ANLEITUNG BITTE ZU NACHSCHLAGEZWECKEN AUFBEWAHREN**

**Kunststoffteile nicht in eine Spülmaschine einräumen.**

**Ziehen Sie die Lade nur zum Auffüllen des Wassertanks oder für einen Lampenwechsel heraus, denn andernfalls verändern Sie dadurch versehentlich den Wasserstand und die Funktionsweise des Feuereffekts.**

**Verwenden Sie in diesem Gerät nur Leitungswasser mit einer maximalen Härte von 10 dH.**

**Achten Sie immer darauf, dass der Kamin auf ebenem Untergrund steht.**

**Falls das Gerät länger als 2 Wochen nicht benutzt wird, muss das Wasser aus dem Sumpf und Wassertank abgelassen und der Sumpf getrocknet werden.**

**Nach der Installation darf dieser Kamin nicht transportiert oder auf die Rückseite gelegt werden, ohne dass zuvor das Wasser aus dem Sumpf und Wassertank abgelassen wurde.**

**Einmal alle zwei Wochen müssen der Wassertank, Sumpf, der Sumpfdeckel, Tankdeckel und die Luftfilter gereinigt werden, insbesondere in Regionen mit hartem Wasser.**

**Der Kamin darf auf keinen Fall in Betrieb gesetzt werden, wenn die Lampen nicht funktionieren.**

**Die Lampen sind wie unter „Wartung“ und „Lampenwechsel“ erläutert regelmäßig zu überprüfen.**

### Installationsanleitung

**Das Verpackungsmaterial von sämtlichen Teilen entfernen (eventuelle Aufkleber mit Warnhinweisen beachten). Das Verpackungsmaterial für spätere Zwecke aufbewahren, z. B. für einen Umzug oder für die Rücksendung an den Händler.**

**Um Wärmeverluste und den negativen Einfluss eines eventuellen Kaminabzugs nach oben auf den Gerätebetrieb zu vermeiden, empfehlen wir eine Blockierung des Kaminabzugs bis auf einen kleinen Spalt, der für Entlüftungszwecke benötigt wird.**

Installation des Geräts

Den Kamin seitlich festhalten und vorsichtig in Einbaulage manövrieren. Den Kamin an eine Steckdose anschließen, die mit 13 A/240 V versorgt wird. Das Netzkabel muss an der Vorderseite des Kamins rechts oder links in der Ecke auf möglichst kurzem Wege zur Steckdose austreten und darf nicht unter dem Kamineinsatz eingeklemmt werden, da es hierdurch beschädigt werden kann.

Lesen Sie vor dem Einschalten die folgenden Anweisungen durch.

**Vor dem Betätigen der manuellen Bedienelemente muss zuerst der Wassertank befüllt werden (siehe „Wartung“ und „Wassertank auffüllen“).**

### Manuelle Bedienelemente

Die manuellen Bedienelemente sind hinter der Lade angeordnet.

(Anordnung der manuellen Bedienelemente, siehe Abb.2)

Schalter „A“: Regelt die Energieversorgung zum Kamin.

Hinweis: Dieser Schalter muss auf Position „ON“ ( I ) stehen, damit der elektrische Kamin Wärmeabgabe betreiben.

Schalter „B“: Regelt die Kaminfunktion.

**Einmal drücken  , um den Feuereffekt einzuschalten.** Dies wird durch Ausgabe eines Pieptons signalisiert.

Zwar reagieren die Hauptleuchten sofort, allerdings dauert die Aktivierung des Feuereffekts weitere 30 Sekunden.

**Drücken  Sie auf , um den Kamin auf Standby zu schalten.**

Dies wird durch Ausgabe eines Pieptons signalisiert.

Drehregler „C“: Stellt die Stärke des Feuereffekts ein.

Bei einer Drehung nach rechts wird der Feuereffekt stärker und nach links wird die Flamme kleiner.


Wenn der Wassertank leer ist, gehen die Hauptleuchten aus. Lese Sie dazu die Anweisungen unter „Wartung“, „Wassertank auffüllen“. Im Anschluss daran leuchten die Hauptleuchten zwar wieder, jedoch dauert es weitere 30 Sekunden, bis die Flammen wieder lodern.

### Betrieb über die Fernbedienung

Am Bedienfeld muss Schalter A (siehe Abb.2) auf Position „ON“ ( I ) stehen, damit das Gerät über die Fernbedienung gesteuert werden kann. Auf der Fernbedienung befinden sich 2 Tasten. (Siehe Abb.7)

Zum korrekten Betrieb muss die Fernbedienung nach vorne in Richtung Gluteffekt gehalten werden.

Die Fernbedienung besitzt folgende Funktionen:

- I Einmal drücken, um nur den Feuereffekt (ohne Wärmeabgabe) einzuschalten.**  
**Dies wird durch Ausgabe eines Pieptons signalisiert.**
-  Standby**  
**Dies wird durch Ausgabe eines Pieptons signalisiert.**

### Batterie

1. Den Batteriedeckel auf der Rückseite der Fernbedienung abnehmen. (Siehe Abb.7)
2. Die AAA-Batterien in die Fernbedienung einsetzen.
3. Den Batteriedeckel wieder anbringen.

### Entsorgung ausgelaufener Batterien

Batterien nicht im Hausmüll entsorgen, sondern bei einer vorschriftsmäßigen Sammelstelle abgeben.

Batterien können auslaufen, wenn sie mit anderen Batterietypen gemischt, falsch herum eingesetzt, nicht alle Batterien gleichzeitig ausgewechselt, ins Feuer geworfen werden, oder wenn versucht wird, eine nicht aufladbare Batterie aufzuladen.

### Tipps für die Gerätenutzung

1. Ziehen Sie die Lade nur zum Auffüllen des Wassertanks oder für einen Lampenwechsel heraus. Andernfalls kann sich dadurch zu viel Wasser im Sumpf sammeln und die Flammen des Feuereffekts werden kleiner. In diesem Fall müssen Sie das Wasser aus dem Sumpf ablassen, wie unter „Wartung“ in dieser Anleitung erläutert wird.
2. Bei kleinster Flammeneinstellung verbraucht das Gerät etwa 40 ml Wasser pro Stunde und lässt sich dadurch 3 mal länger als bei maximaler Flammenhöhe betreiben.
3. Wenn sich Wasser im Tank oder Sumpf befindet, darf der Kamin nicht gekippt oder versetzt werden.
4. Der Kamin muss auf einem ebenen Untergrund stehen.
5. Für einen realistischen Feuereffekt kann der Flammenregler „C“ (Abb.2) höher oder niedriger eingestellt werden.
6. Die Flammen erscheinen realistischer, wenn der Flammenregler kleiner eingestellt wird.
7. Warten Sie einen Moment, bis der Flammengenerator auf die veränderte Flammenreglereinstellung reagiert hat.

### **WARNUNG: VOR WARTUNGSARBEITEN IMMER DEN NETZSTECKER ZIEHEN**

#### **Lampenwechsel**

Wenn der Rauch größtenteils grau oder farblos erscheint, sind unter Umständen eine oder mehrere Lampen defekt. Die Lampen können Sie folgendermaßen auf Funktion prüfen.

1. Lassen Sie den Feuereffekt eingeschaltet, öffnen Sie die Lade bis zum Anschlag, und ziehen Sie die Lade am Griff komplett heraus. (Siehe Abb.3)
2. Sehen Sie sich die Lampen aus der Entfernung vorne am Kamin an, und stellen Sie fest, welche Lampe gewechselt werden muss.
3. Stellen Sie Schalter „A“ auf Position „OFF“ und ziehen Sie den Netzstecker des Kamins aus der Steckdose.
4. Lassen Sie das Gerät 20 Minuten lang ausgeschaltet, damit sich die Lampen vor dem Ausbau abkühlen können.
5. Heben Sie den Wassertank nach oben heraus und legen Sie ihn in ein Waschbecken.
6. Bauen Sie den Sumpf aus, wie im Abschnitt „Reinigung“ erläutert.
7. Ziehen Sie die defekte Lampe mit den Kontaktstiften vorsichtig nach oben aus dem Lampensockel heraus (siehe Abb.4 und 5). Bauen Sie als Ersatzlampe eine Optimyst Original-Farblampe mit 12 V, 45 W, Sockel Gu5.3 mit 8° Abstrahlwinkel ein. Lampen erhalten Sie bei Ihrem Fachhändler.
8. Führen Sie die beiden Kontaktstifte der neuen Lampe in die beiden Öffnungen des Lampensockels ein und schieben Sie sie bis zum Anschlag hinein. (Siehe Abb.4 und 5.)
9. Setzen Sie den Sumpf und Wassertank wieder ein, und schließen Sie die Lade wieder.
10. Schalten Sie das Gerät ein.

#### **Wassertank auffüllen**

Wenn der Wassertank leer ist, schalten sich die Feuer- und Raucheffekte ab und es werden 2 Pieptöne ausgegeben. Folgendermaßen nachfüllen:

1. Schalter „A“ auf **(0)** stellen. (Siehe Abb.2)
2. Die Lade am Griff bis zum Anschlag herausziehen. (Siehe Abb.3)
3. Den Wassertank nach oben aus dem Gerät herausheben.
4. Den Wassertank in ein Waschbecken legen und den Tankdeckel gegen den Uhrzeigersinn abschrauben. (Siehe Abb.6)
5. Im Tank **filtriertes Leitungswasser mit einer maximalen Härte von 10 dH nachfüllen**. Dadurch verlängert sich die Lebensdauer des Rauch- und Flammengenerators.  
Bei einem höheren Wasserhärtegrad sollte das Wasser gefiltert werden (z. B. mit einem Maxtra Filter). **Keinen Entkalker benutzen**.
6. Den Deckel wieder festschrauben, **aber nicht überdrehen**.
7. Den Tank wieder in den Auffangbehälter gebrauchen einsetzen. Der Tankdeckel muss dabei nach unten und die flache Tankseite nach außen zeigen.
8. Schalter „B“ einmal drücken, um den Feuereffekt einzuschalten. (Siehe Abschnitt „manuelle Bedienelemente“ sowie Abb.2).
9. Schalter „A“ auf „ON“ ( I ) stellen. (Siehe Abb.2)
10. Die Lade sachte bis zum Anschlag hineinschieben.

#### **Reinigung**

### **WARNUNG - VOR DEM REINIGEN DES KAMINS IMMER ZUERST DEN NETZSTECKER ZIEHEN.**

Wir empfehlen, die folgenden Komponenten wöchentlich zu reinigen, insbesondere in Gebieten mit hartem Wasser: Wassertank, Auffangbehälter und Dichtung, Auffangbehälter deckel, Tankdeckel und -dichtung, Luftfilter.

Zum Reinigen allgemein immer ein weiches, sauberes Staubtuch benutzen, auf keinen Fall Scheuermittel verwenden. Um angesammelten Staub oder Flusen zu entfernen, kann gelegentlich ein Staubsauger mit weichem Bürstenaufsatz zum Reinigen des Auslassgitters am Kamingebläse verwendet werden.

#### **Wassertank**

1. Den Tank - wie zuvor erläutert - ausbauen, in ein Waschbecken legen und das Wasser ablassen.
2. Mit der beigefügten Bürste die Innenflächen des Deckels sanft abbürsten. Dabei besonders den Gummiring in der Außennut und die Gummidichtung in der Mitte sauber bürsten.
3. Eine sparsame Menge Spülmittel in den Tank füllen, den Deckel festschrauben und gut schütteln. Das Spülmittel komplett wieder ausspülen, bis davon keine Spuren im Abwasser mehr zu sehen sind.
4. Ausschließlich Leitungswasser mit einer maximalen Härte von 10 dH nachfüllen, den Deckel wieder anbringen und nicht überdrehen.
5. Beim Reinigen des Geräts keinen Entkalker verwenden, denn dadurch könnte sich die Lebensdauer des Rauchgenerators verkürzen.

#### **Auffangbehälter**

1. Schalter „A“ auf „OFF“ **(0)** stellen.
2. Die Lade sachte bis zum Anschlag herausziehen. (Siehe Abb.3)

3. Den Wassertank nach oben herausheben.
4. Den Stecker aus der Anschlussbuchse auf der linken Seite des Auffangbehälter ziehen. Dazu zuerst die beiden Sicherungsschrauben lösen und anschließend den Stecker vorsichtig herausziehen. (Siehe Abb.8)
5. Die Sicherungskralen unten am Auffangbehälter gebruiken um 90° drehen. Der Auffangbehälter kann nun komplett aus der Einbaulage herausgehoben werden. (Siehe Abb.9)
6. Den Auffangbehälter vorsichtig und möglichst waagerecht herausheben, damit kein Wasser verschüttet wird. Das gesamte Bauteil in ein Waschbecken stellen. (Siehe Abb.10)
7. Die beiden Sicherungskralen oben am Auffangbehälter gebruiken um 90° drehen und den Auffangbehälter deckel abnehmen. (Siehe Abb.11)
8. Wie in der Abbildung zu sehen, vorsichtig seitlich kippen, damit die Flüssigkeit aus dem Auffangbehälter ablaufen kann. (Siehe Abb.12)
9. Etwas Spülmittel in den Auffangbehälter füllen und mit der beigefügten Bürste sämtliche Flächen reinigen, auch die Metallscheibe und die Gummidichtung, die in der Nut auf der Oberseite verlegt ist. **Die Gummidichtungen nicht ausbauen.** (Siehe Abb.13 und 14.)
10. Nach dem Reinigen den Auffangbehälter mit klarem Wasser gründlich ausspülen.
11. Die Auslassfläche am Auffangbehälter deckel mit der Bürste säubern und mit Wasser gründlich spülen. (Siehe Abb.15 & 16)
12. Beim Zusammenbau die obigen Schritte in umgekehrter Reihenfolge befolgen.

#### **Luftfilter**

1. Die Lade sachte bis zum Anschlag herausziehen. (Siehe Abb.3)
2. Schalter „A“ auf „OFF“ (0) stellen (siehe Abb.2).
3. Den Tank herausnehmen und mit dem Deckel nach oben in ein Waschbecken stellen.
4. Die Kunststoffhalterung des Luftfilters vorsichtig nach oben herausziehen. (Siehe Abb.17)
5. Den Filter komplett aus der Kunststoffhalterung herausnehmen.
6. Vorsichtig mit Wasser im Waschbecken ausspülen und vor dem Einsetzen mit einem Handtuch abtrocknen.
7. Den Filter komplett wieder einsetzen und darauf achten, dass der grobe schwarze Filter Kontakt mit der Kunststoffhalterung hat. (Siehe Abb.18)
8. Den Tank wieder einsetzen.
9. Schalter „A“ auf „ON“ ( I ) stellen (siehe Abb.2).
10. Die Lade wieder ganz schließen.

## Weitere Informationen

#### **Wiederverwertung**



Recycling-Regelung für Elektroprodukte, die innerhalb der europäischen Gemeinschaft verkauft werden. Elektrogeräte dürfen am Ende ihrer Nutzungsdauer nicht im regulären Haushaltsmüll entsorgt werden. Sie müssen einer entsprechenden Recycling-Sammelstelle zugeführt werden. Entsprechende Hinweise zu Annahmestellen erhalten Sie bei Ihrer Gemeinde oder Ihrem Fachhändler.

#### **Kundendienst**

Falls Sie unseren Kundenservice in Anspruch nehmen möchten, wenden Sie sich bitte an den Fachhändler, bei dem das Gerät gekauft wurde.

## Fehlerdiagnose

Symptom	Ursache	Abhilfe
Der Feuereffekt lässt sich nicht einschalten.	<p>Netzstecker ist nicht angeschlossen.</p> <p>Schalter A steht auf „ON“ (I) aber der Schalter B wurde nicht gedrückt. (Siehe Abb.2)</p> <p>Wenig Wasser.</p> <p>Niederspannungsstecker nicht richtig angeschlossen. (Siehe Abb.8)</p>	<p>Prüfen, ob der Netzstecker richtig an die Steckdose angeschlossen ist.</p> <p>Schalter B einmal betätigen, um den Feuereffekt einzuschalten. (Siehe Abb.2)</p> <p>Prüfen Sie, ob der Wassertank gefüllt ist und ob sich Wasser im Auffangbehälter befindet.</p> <p>Kontrollieren, ob der Stecker korrekt angeschlossen ist. (Siehe Abb.8)</p>
Der Feuereffekt arbeitet zu niedrig.	<p>Der Drehregler für den Feuereffekt ist sehr niedrig eingestellt. (Siehe Abb.2)</p> <p>Das Wasser im Auffangbehälter steht unter Umständen zu hoch, weil die Lade häufiger geöffnet und geschlossen wurde, der Wassertank mehrmals herausgenommen oder der Kamin versetzt wurde.</p> <p>Unter Umständen ist die Metallscheibe am Boden des Auffangbehälter verschmutzt (siehe Abb.13)</p>	<p>Den Drehregler „C“ langsam nach links drehen, um die Flammen höher zu stellen. (Siehe Abb.2)</p> <p>Ist der Wasserstand im Auffangbehälter höher als 40 mm, sollte er ausgebaut und in einem Waschbecken entleert werden.</p> <p>Die Metallscheibe mit der beigefügten weichen Bürste reinigen. (Siehe Abb.13). Die schrittweise gegliederten Anweisungen finden Sie im Abschnitt „Wartung“.</p>
Unangenehmer Geruch während des Betriebs.	<p>Verschmutztes oder abgestandenes Wasser.</p> <p>Ungefiltertes Leitungswasser benutzt.</p>	<p>Das Gerät wie im Wartungsabschnitt erläutert reinigen.</p> <p>Nur Leitungswasser mit einer maximalen Härte von 10 dH benutzen.</p>
Der Feuereffekt stößt zu viel Rauch aus.	<p>Der Feuereffekt ist zu stark eingestellt.</p>	<p>Den Drehregler C für den Feuereffekt nach rechts bis auf Minimaleinstellung zurückdrehen. Anschließend langsam jeweils ca. ¼ Drehung nach links drehen. Etwas warten, bis der Flammengenerator reagieren kann, bevor Sie die Flammen höher stellen. (Siehe Abb.2)</p>
Die Hauptlampen funktionieren nicht, und es sind weder Flammen noch Rauch zu sehen.	<p>Es ist kein Wasser im Tank.</p>	<p>Befolgen Sie die Anweisungen unter <b>Wartung</b>, „Wassertank auffüllen“.</p> <p>Prüfen Sie, ob der Netzstecker richtig an die Steckdose angeschlossen ist.</p> <p>Schalter „A“ (Abb.2) steht auf „ON“ ( I ).</p> <p>Drücken Sie Schalter „B“ (Abb.2), bis ein einzelner Signalton für den Feuereffekt zu hören ist.</p>

## Inleiding

Lees deze informatie aandachtig om uw product veilig te installeren, gebruiken en onderhouden.

## Belangrijke veiligheidsvoorschriften

Bij gebruik van elektrische apparaten moeten altijd bepaalde voorzorgsmaatregelen in acht worden genomen om het risico van brand, elektrische schok en letsel te verminderen. Dit betekent o.a.:

### 1. OVERVERHITTING

**WAARSCHUWING:** Dek de kachel nooit af om oververhitting te voorkomen. Plaats geen voorwerpen of kledingstukken op de kachel en zorg ervoor dat de luchtcirculatie rond de kachel niet wordt geblokkeerd. Op de verwarming bevindt er zich de waarschuwing "NIET BEDEKKEN".

### 2. SCHADE.

Raadpleeg de leverancier als de kachel is beschadigd voordat u deze installeert en gebruikt.

Als het netsnoer is beschadigd, dan moet dit door de fabrikant of een onderhoudsmonteur of een dergelijk bevoegd persoon worden vervangen om risico's te vermijden.

### 3. LOCATIE

Gebruik de kachel niet buiten.

Niet gebruiken in de onmiddellijke nabijheid van een bad, douche of zwembad.

De sfeerkachel niet onder een vast stopcontact of aansluitdoos installeren.

Zorg ervoor dat meubilair, gordijnen of ander brandbaar materiaal zich minstens 1 meter uit de buurt van de kachel bevinden.

Hoewel deze kachel voldoet aan de veiligheidsnormen, raden wij het gebruik hiervan op hoogpolige tapijten of langharige vloerkleden af.

### 4. POSITIE VAN STEKKER

Het toestel moet zodanig worden geïnstalleerd dat de stekker of het uitschakelpunt bereikbaar blijft. Houd de voedingskabel buiten het bereik van het apparaat.

### 5. GEBRUIK VAN ANDERE REGELAARS

Gebruik deze kachel niet terwijl deze seriegeschakeld is met een thermische beveiliging, een programmaregelaar, een tijdschakelaar of een ander apparaat dat de kachel automatisch inschakelt, aangezien er kans op brand bestaat wanneer de kachel per ongeluk wordt afgedekt of verplaatst.

### 6. STEKER UITTREKKEN

Trek de stekker uit het stopcontact of schakel de voeding van het toestel uit in geval van een defect. Trek de stekker uit het stopcontact of schakel de voeding van het toestel uit als het gedurende lange periodes niet wordt gebruikt.

### 7. EIGENAAR/GEBRUIKER

Dit apparaat kan alleen worden gebruikt door kinderen vanaf 8 jaar en personen met lichamelijke, zintuiglijke of geestelijke beperkingen of die er geen ervaring mee en kennis van hebben indien zij toezicht of aanwijzingen hebben gekregen om het apparaat op veilige wijze te gebruiken en ook begrijpen welke gevaren er kunnen ontstaan. Kinderen mogen niet met het apparaat spelen. Kinderen mogen niet zonder toezicht reiniging en onderhoud uitvoeren.

Kinderen onder de 3 jaar moeten uit de buurt worden gehouden, tenzij zij voortdurend onder toezicht staan. Kinderen tussen de 3 en 8 jaar mogen het apparaat alleen aan- en uitzetten als het op de bedoelde normale plek geplaatst of gemonteerd is en zij toezicht of aanwijzingen hebben gekregen om het apparaat op veilige wijze te gebruiken en ook begrijpen welke gevaren er kunnen ontstaan. Kinderen tussen de 3 en 8 jaar mogen het apparaat niet aansluiten, bedienen en reinigen of onderhoud uitvoeren.

### 8. ELEKTRICITEIT

**WAARSCHUWING - DIT APPARAAT MOET WORDEN GEAARD**

De kachel mag uitsluitend op een contactpunt met wisselstroom worden aangesloten en het op de kachel aangegeven voltage moet overeenkomen met de netspanning.

Lees alle veiligheidsvoorschriften en gebruiksvoorschriften voordat u de kachel aanzet.

**WAARSCHUWING:** Sommige delen van dit apparaat kunnen zeer heet worden en brandwonden veroorzaken. Let vooral goed op als er kinderen of andere kwetsbare mensen in de buurt zijn.

## Algemene informatie

Gebruik uitsluitend gefilterd leidingwater.

Zorg er altijd voor dat de kachel op een egale vloer staat.

Hoewel deze kachel voldoet aan de veiligheidsnormen, raden wij het gebruik hiervan op hoogpolige tapijten of langharige vloerkleden af.

Opmerking: als u de kachel in een omgeving gebruikt met weinig achtergrondgeluid, dan kunt u een geluid horen wanneer de kachel met het vlameffect wordt aangezet. Dit is normaal en vormt geen reden tot ongerustheid.

Als dit product een stroomstoot ervaart, om welke reden dan ook, dan zal het product worden uitgeschakeld. Dit is een normale beveiliging en het product zal na 30 seconden opnieuw werken.

Na het installeren mag de kachel niet worden verplaatst of op zijn rug worden gelegd zonder eerst het water in de opvangbak en waterreservoir af te tappen.

Als u van plan bent de kachel langer dan een week niet te gebruiken, laat dan het water uit de opvangbak en het waterreservoir weglopen en droog de opvangbak.

De watertank, het carter, het carterdeksel, de tankdop en de luchtfilters moeten eenmaal per week worden schoongemaakt, vooral in gebieden met hard water.

De kachel mag niet worden gebruikt als de lampen niet werken.

De lampen dienen regelmatig te worden geïnspecteerd, zoals beschreven onder "Onderhoud" en "Lampen vervangen".

De opvangbak en het waterreservoir van dit product zijn behandeld met een biocide, zilverbiocide. Dit is conform de laatste hiervoor geldende ISO-norm

Een plotselinge temperatuurverandering (bijvoorbeeld bij het verplaatsen van het apparaat vanuit vrieskou naar een warme kamer) kan in het apparaat condensatie van vocht veroorzaken en de werking ervan verstoren wanneer het apparaat wordt ingeschakeld.

Na transport of na opslag in de buitenlucht bij een temperatuur onder nul graden moet het apparaat ten minste 3 uur in een warme ruimte worden geplaatst, waarna het in gebruik kan worden genomen.

## Installatie-instructies

**Elektrische aansluiting.**

**WAARSCHUWING – DIT APPARAAT MOET WORDEN GEAARD.**

Deze haard mag alleen met wisselstroom worden gebruikt en de voedingsspanning moet overeenkomen met de op de kachel aangegeven spanning.

Lees alle veiligheidsvoorschriften en gebruiksvoorschriften voordat u de haard aanzet.

### **BEWAAR DEZE GEBRUIKERSHANDLEIDING VOOR TOEKOMSTIGE NASLAGDOELEINDEN**

**Plaats plastic onderdelen niet in een vaatwasser.**

**Schuif alleen de lade eruit als het waterreservoir gevuld dient te worden, of een lampje moet worden vervangen, anders zult u per ongeluk het waterniveau veranderen en daarmee de werking van het vlameffect.**

**Gebruik alleen kraanwater in dit apparaat met een maximale hardheid van 10 dH.**

**Zorg er altijd voor dat de haard op een vlakke vloer staat.**

**Als u van plan bent om de haard meer dan twee weken niet te gebruiken, tap dan het water van de opvangbak en het waterreservoir af en droog de opvangbak.**

**Na het installeren mag de haard niet worden verplaatst of op zijn rug worden gelegd zonder eerst het water in de opvangbak en het waterreservoir af te tappen.**

**Het waterreservoir, de opvangbak, de kap van de opvangbak, de tankdop en de luchtfilters moeten één keer in de twee weken worden gereinigd, in het bijzonder in gebieden met hard water.**

**De haard mag niet worden gebruikt als de lampen niet werken.**

**De lampen dienen regelmatig te worden geïnspecteerd, zoals beschreven onder 'Onderhoud' en 'Lampen vervangen'.**

### **Installatievoorschriften**

**Zorg ervoor dat alle verpakking is verwijderd (lees de waarschuwinglabels aandachtig).**

**Bewaar de verpakking voor eventueel toekomstig gebruik voor het geval u gaat verhuizen of de haard naar de leverancier wilt terugsturen.**

**Om warmteverlies te verminderen en opwaartse stroming in de schoorsteen te voorkomen die de werking van uw haard beïnvloedt, raden we u aan om het rookkanaal af te sluiten en voor een kleine ventilatieopening te zorgen.**

Installatie van de haard;

Houd de haard aan de zijkanten vast en manoeuvreer deze voorzichtig op zijn plaats. Steek de stekker van de haard in een stopcontact van 13 ampère/240 Volt. Zorg dat de stroomkabel er aan de voorkant van de haard uit komt, in de rechter- of linkerhoek in de buurt van het stopcontact en niet vast komt te zitten onder de haard zodat de kabel kan worden beschadigd.

Lees de volgende voorschriften voordat u de haard aan zet.

**Vul eerst het waterreservoir voordat u de handbediening gebruikt (Zie 'Onderhoud', 'Waterreservoir vullen').**



## De kachel bedienen

### Handbediening.

De bedieningsknoppen van de haard bevinden zich achter in de lade.

(Zie Afb.2 voor een schema van de handbediening)

Schakelaar 'A': - regelt de stroomtoevoer naar de haard.

Opmerking: Deze schakelaar moet 'AAN' staan ( I ) om de haard aan te zetten.

Schakelaar 'B': - regelt de werking van de haard.

**Druk  1 keer om het vlameffect aan te zetten.** Dit wordt aangegeven door één pieptoon.

Hoewel de hoofdlampen direct werken, duurt het 30 seconden voordat het vlameffect start.

**Druk  om de haard in de stand-by stand te zetten.**

Dit wordt aangegeven door één pieptoon.

Regelknop 'C': - verhoogt de intensiteit van het vlameffect.

Door de regelknop naar rechts te draaien verhoogt u het vlameffect, door de regelknop naar links te draaien verlaagt u het vlameffect.

Als het waterreservoir leeg is, gaan de hoofdlampen uit. Zie instructies onder 'Onderhoud', 'het waterreservoirvullen'.

Als deze procedure is voltooid, zullen de hoofdlampen branden, maar duurt het 30 seconden voordat de vlammen terugkeren.

### Afstandsbediening gebruiken

Op het bedieningspaneel dient schakelaar A (zie Afb.2) op de 'AAN' ( I )-stand te staan om de afstandsbediening te kunnen gebruiken. De afstandsbediening is voorzien van 2 toetsen. (Zie Afb.7)

Voor een goede werking moet u de afstandsbediening op het vlameffect richten.

De afstandsbedieningfuncties zijn als volgt:

 **Druk één keer om alleen het vlameffect aan te zetten.**  
**Dit wordt aangegeven door één pieptoon.**

 **Stand-by**  
**Dit wordt aangegeven door één pieptoon.**

### Informatie over batterijen.

1. Schuif het batterijklepje op de achterkant van de afstandsbediening open. (Zie Afb.7)
2. Plaats AAA-batterijen in de afstandsbediening.
3. Schuif het batterijklepje dicht.

### Gooi lekkende batterijen weg.

Voer gebruikte batterijen op een milieuverantwoorde manier overeenkomstig de regionale en plaatselijke voorschriften af.

Er kan elektrolyt uit de batterijen lekken als u verschillende soorten batterijen door elkaar gebruikt, als u de batterijen niet goed inlegt, als niet alle batterijen tegelijkertijd worden vervangen, als u ze in open vuur verbrandt of als u een batterij probeert op te laden die niet oplaadbaar is.

### Tips voor het gebruik van uw haard.

1. Trek alleen de lade eruit als het waterreservoir moet worden bijgevuld of om een lamp te vervangen omdat dit anders kan leiden tot overmatig water in de opvangbak en een verminderd vlameffect. Als dit gebeurt, leegt u het water uit de opvangbak zoals staat aangegeven onder 'Onderhoud'.
2. Als de vlaminstelling op minimum staat, verbruikt de haard ongeveer 40 ml water per uur en blijft drie keer langer branden dan bij een maximum vlaminstelling.
3. Kantel of verplaats de haard niet als er water in het waterreservoir of in de opvangbak aanwezig is.
4. Zorg er altijd voor dat de haard op een vlakke vloer staat.
5. De vlamregelknop 'C' (Afb.2) kan hoger of lager worden gedraaid voor een meer realistisch effect.
6. Soms zien de vlammen er natuurlijker uit als de vlamregelknop omlaag is gedraaid.
7. Geef het vlammechanisme de tijd om op de veranderingen te reageren die u met de vlamregelknop maakt.

## Onderhoud

### **WAARSCHUWING: HAAL ALTIJD DE STEKKER UIT HET STOPCONTACT VOORDAT U ONDERHOUD UITVOERT**

#### **Lampen vervangen.**

Als een grote hoeveelheid van de rook grijs of kleurloos lijkt, kunnen er één of meer lampen stuk zijn.

U kunt kapotte lampen als volgt controleren.

1. Laat het vlameffect aan, open de lades volledig en trek de lade er voorzichtig helemaal uit aan het treklijpje. (Zie Afb.3)
2. Bekijk de lampen van een afstand voor de haard en beoordeel welke lampen moeten worden vervangen.
3. Zet schakelaar 'A' in de 'UIT'-stand en haal de stekker van de haard uit het stopcontact.
4. Laat de haard 20 minuten staan om de lampen te laten afkoelen voordat u ze eruit haalt.
5. Verwijder het waterreservoir door dit omhoog te tillen en in een gootsteen te plaatsen.
6. Verwijder de opvangbak zoals beschreven in het hoofdstuk Reinigen.
7. Verwijder de kapotte lamp door deze voorzichtig verticaal omhoog te tillen en uit de contactpennen van de lamphouder te trekken, (Zie Afb.4 en 5). Vervang door een Optimyst original, 12 V, 45 W, Gu5.3 basis, 8° stralingshoek, gekleurde lamp. Koop de lampen bij uw plaatselijke leverancier.
8. Plaats de twee contactpennen van de nieuwe lamp in de twee gaten van de lamphouder. Druk ze stevig op hun plaats. (Zie Afb.4 en 5).
9. Vervang de opvangbak en het waterreservoir en sluit de lade voorzichtig.
10. Zet aan.

#### **Het waterreservoir vullen.**

Als het waterreservoir leeg is, stopt het vlam- en rookeffect en hoort u twee 'piepjes'. Volg deze stappen om te hervullen:

1. Zeg Schakelaar 'A' op (0). (Zie Afb.2)
  2. Trek de lade er zover mogelijk uit met behulp van het treklijpje. (Zie Afb.3)
  3. Verwijder het waterreservoir door dit omhoog en eruit te tillen.
  4. Plaats het waterreservoir in een gootsteen en draai de dop naar links om het reservoir te openen. (Zie Afb.6)
  5. Vul het reservoir alleen **met gefilterd leidingwater met uitsluitend een maximale hardheid van 10 dH**. Dit is nodig om de levensduur van het vlam- en rookmechanisme te verlengen.
- In situaties met een hogere waterhardheid dient het water te worden gefilterd (bijvoorbeeld met een Maxtra-filter).
- #### **Gebruik nooit een ontkalker.**
6. Schroef de dop er weer op, **draai deze niet te vast**.
  7. Plaats het reservoir weer terug bij de opvangbak, waarbij de dop van het reservoir naar onderen is gericht en de platte kant van het reservoir naar buiten wijst.
  8. Druk 1 keer op schakelaar 'B' om het vlameffect aan te zetten. (Zie hoofdstuk Handbediening en Afb.2).
  9. Zet schakelaar 'A' op de 'AAN' (I)-stand. (Zie Afb.2)
  10. Duw de lade zover mogelijk naar achteren.

#### **Reiniging.**

### **WAARSCHUWING - HAAL ALTIJD DE STEKKER UIT HET STOPCONTACT VOORDAT U DE HAARD REINIGT.**

We raden aan om de volgende onderdelen een keer per week te reinigen, vooral in gebieden met hard water:- waterreservoir, opvangbak en afsluiter, kap van opvangbak, reservoirdop en afsluiter, luchtfilter.

Gebruik voor algemene reiniging een zachte schone stofdoek – nooit schurende reinigingsmiddelen gebruiken. Gebruik het borstelhulpstuk van de stofzuiger af en toe om opgehoopt stof of pluis uit het uitlaatrooster van de ventilatorkachel te verwijderen.

#### **Waterreservoir**

1. Verwijder het waterreservoir zoals eerder beschreven, plaats dit in een gootsteen en tap het water af.
2. Gebruik de meegeleverde borstel om de binnenzijden van de dop zachtjes te borstelen en let vooral op de rubberen ring in de buitenste groef en de middelste rubberafdichting.
3. Vul het reservoir met een klein beetje afwasmiddel, plaats de dop terug, schud goed en spoel totdat alle sporen van het wasmiddel zijn verdwenen.
4. Vul uitsluitend met gefilterd leidingwater met uitsluitend een maximale waterhardheid van 10 dH, plaats de dop terug en draai deze niet te vast.
5. Gebruik geen ontkalker bij het reinigen van het apparaat, dit kan de levensduur van de rookunit verkorten.

#### **Opvangbak**

1. Zet schakelaar 'A' in de 'UIT' (0)-stand
2. Trek de lade er voorzichtig zover mogelijk uit. (Zie Afb.3)
3. Haal het waterreservoir eruit door dit omhoog te tillen.
4. Koppel de stekker los die zich links van de opvangbak bevindt, door de twee borgschroeven los te draaien en de stekker er voorzichtig uit te trekken. (Zie Afb.8)
5. Maak de onderste vergrendellipjes van de opvangbak los door deze 90° te draaien, hierdoor kan de opvangbak volledig worden verwijderd. (Zie Afb.9)
6. Til de opvangbak voorzichtig op en zorg dat u deze recht houdt zodat er geen water wordt gemorst. Plaats de opvangbak in de gootsteen. (Zie Afb.10)
7. Maak de twee bovenste vergrendellipjes van de opvangbak los door deze 90° te draaien, en verwijder hierna de kap

van de opvangbak. (Zie Afb.11)

8. Kantel voorzichtig zoals afgebeeld, zodat de vloeistof uit de opvangbak wordt afgetapt. (Zie Afb.12)

9. Vul de opvangbak met een kleine hoeveelheid afwasmiddel en gebruik de meegeleverde borstel om alle oppervlakken zachtjes te reinigen, inclusief de metalen schijf en de rubberafdichting die zich in het bovenste groefvlak bevindt.

**Verwijder de rubberafdichtingen niet.** (Zie Afb.13 en 14)

10. Spoel de opvangbak na het reinigen goed uit met schoon water.

11. Reinig het oppervlak van de uitlaat van de kap van de opvangbak met de borstel en spoel grondig met water. (Zie Afb.15 en 16)

12. Voer de bovenstaande stappen in omgekeerde volgorde uit om te monteren.

### **Luchtfilter.**

1. Trek de lade er voorzichtig zover mogelijk uit. (Zie Afb.3).

2. Zet schakelaar 'A' in de 'UIT' (0)-stand (Zie Afb.2)

3. Haal het reservoir eruit en plaats dit in een gootsteen met de dop omhoog.

4. Schuif de plastic luchtfilterhouder voorzichtig omhoog. (Zie Afb.17)

5. Haal het filteraggregaat uit de plastic houder.

6. Spoel voorzichtig met water in de gootsteen en droog met een stoffen handdoek voordat u het filter terugplaatst.

7. Plaats het filteraggregaat terug en zorg ervoor dat het zwarte filter contact houdt met de plastic houder. (Zie Afb.18)

8. Plaats het reservoir terug.

9. Zet schakelaar 'A' op de 'AAN' ( I )-stand (Zie Afb.2).

10. Sluit de lade volledig.

## **Aanvullende informatie**

### **Recycling.**



Voor elektrische producten die in de Europese Gemeenschap worden verkocht. Aan het einde van de nuttige levensduur van een elektrisch product mag dit niet worden weggegooid met het gewone huisvuil. Maak gebruik van de bestaande recyclingfaciliteiten. Vraag aan de lokale overheidsinstanties of aan de leverancier hoe u in uw land producten kunt recyclen.

### **Klantenservice**

Als u na aankoop service nodig heeft, neem dan contact op met de leverancier bij wie u het apparaat heeft aangeschaft.

## Probleemoplossing

Symptoom	Oorzaak	Correctieve maatregel
Het vlameffect start niet.	<p>De netstekker zit niet in het stopcontact.</p> <p>Schakelaar A staat in de 'AAN' (I)-stand, maar modusschakelaar B is niet ingedrukt. (Zie Afb.2)</p> <p>Laag waterniveau.</p> <p>Laagspanningsstekker niet goed aangesloten. (Zie Afb.8)</p>	<p>Controleer of de stekker goed in het stopcontact zit. Druk voor vlameffect één keer op schakelaar B. (Zie Afb.2)</p> <p>Controleer of het waterreservoir vol is en of er water in de opvangbak aanwezig is.</p> <p>Controleer of de stekker goed in het stopcontact zit. (Zie Afb.8)</p>
Het vlameffect is te laag.	<p>De regelknop voor het vlameffect is te laag ingesteld. (Zie Afb.2)</p> <p>Het waterniveau in de opvangbak kan te hoog zijn doordat de lade een aantal keren werd geopend en gesloten, het waterreservoir een aantal keren werd verwijderd of doordat de haard werd verplaatst.</p> <p>Het metalen schijfje aan de onderkant van de opvangbak kan vuil zijn (Zie Afb.13)</p>	<p>Verhoog de grootte van de vlam door de regelknop C langzaam naar links te draaien. (Zie Afb.2)</p> <p>Indien het waterniveau in de opvangbak hoger is dan 40 mm, dient u de opvangbak te verwijderen en in de gootsteen te legen.</p> <p>Reinig de metalen schijf met de meegeleverde zachte borstel. (Zie Afb.13) Zie 'Onderhoud' voor een stapsgewijze procedure.</p>
Onaangename geur als de haard wordt gebruikt.	<p>Vuil of niet vers water.</p> <p>Het gebruik van ongefilterd leidingwater.</p>	<p>Reinig de haard zoals beschreven bij onderhoud.</p> <p>Gebruik alleen kraanwater met een maximale hardheid van 10 dH.</p>
Het vlameffect geeft te veel rook af.	Het vlameffect is te hoog ingesteld.	Draai de regelknop voor het vlameffect C naar links totdat deze op het minimum staat en draai de knop vervolgens langzaam naar rechts met ongeveer ¼ slag per keer. Geef het vlammechanisme tijd om zich aan te passen voordat u verder verhoogt. (Zie Afb.2)
De hoofdlampen werken niet en er zijn geen vlammen of rook.	Er zit geen water in het reservoir.	<p>Volg de instructies bij <b>Onderhoud</b>, 'Waterreservoir vullen'.</p> <p>Controleer of de stekker goed in de wandcontactdoos zit. Schakelaar 'A' Afb.2 staat in de 'AAN' ( I )-stand. Druk op schakelaar 'B' Afb.2 tot u één piepton hoort voor het vlameffect.</p>