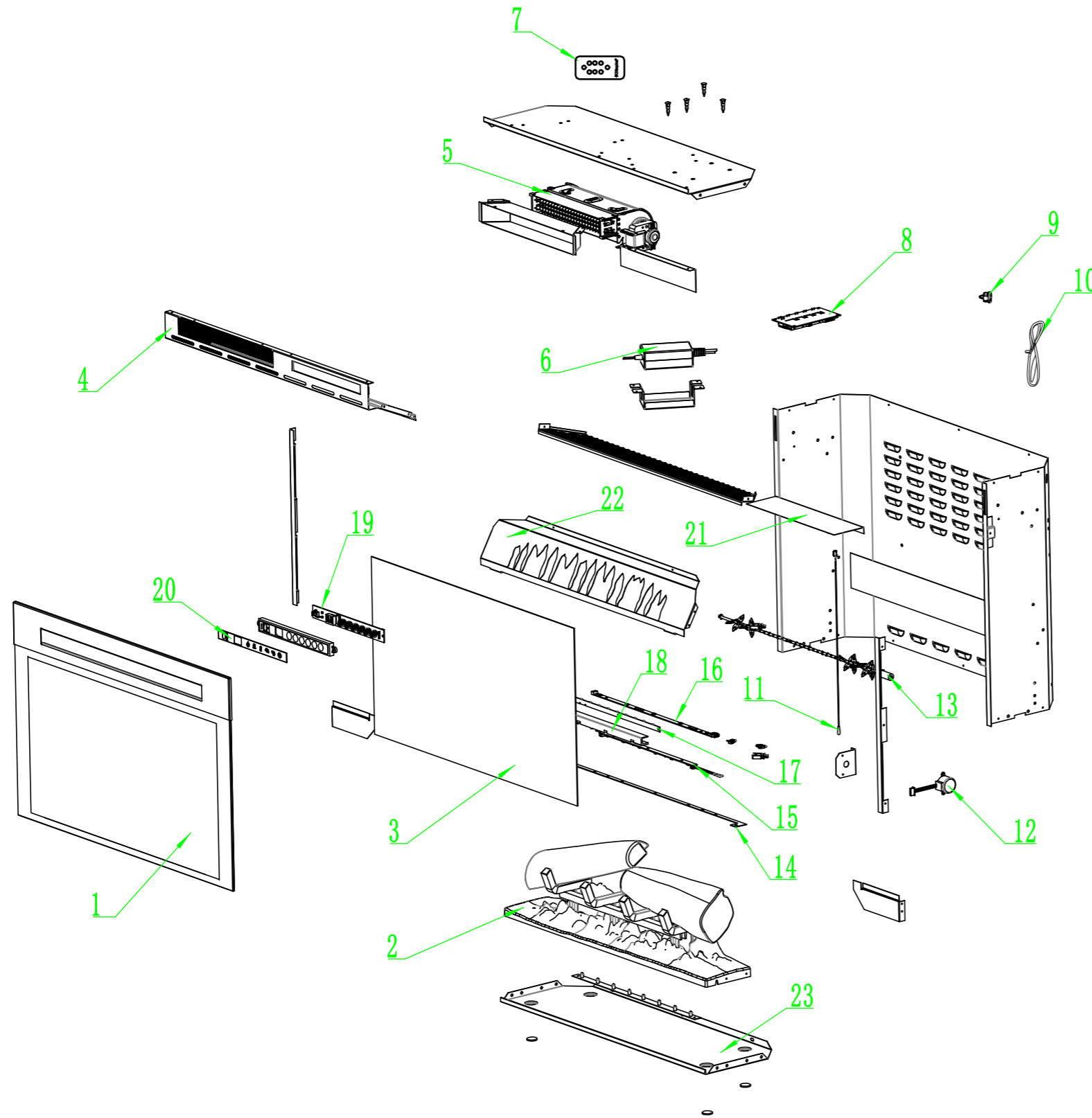




XHD26 - 210975
exploded view



210975	XHD26	
Number	Part number	Description
23	05.03.001.170	Base panel
22	05.03.032.016	Flame panel
21	05.03.011.091	Light proof panel
20	11.09.003.009	Touch panel
19	03.08.006.017	Display board
18	02.01.009.024	Round head RGB bracket
17	3001850100	Flame LED strip
16	03.18.004.073	RGB strip
15	3001880100	LED Strip Assy**
14		RGB bracket
13	06.10.001.016	Rotisserie**
12	03.01.002.003	Flicker Motor**
11	03.08.008.003	NTC**
10	03.21.002.015	EU power cord
9	02.01.008.006	5n-4 strain relief
8	03.08.002.045	PCB
7	03.09.001.053	Remote XHD range
6	03.20.002.023	Adaptor
5	06.02.001.056	Blower assembly
4	05.02.029.023	Air outlet assembly
3	04.01.001.160	Mirror
2	06.04.003.241	Logset
1	04.02.001.134	Front Glass XHD26