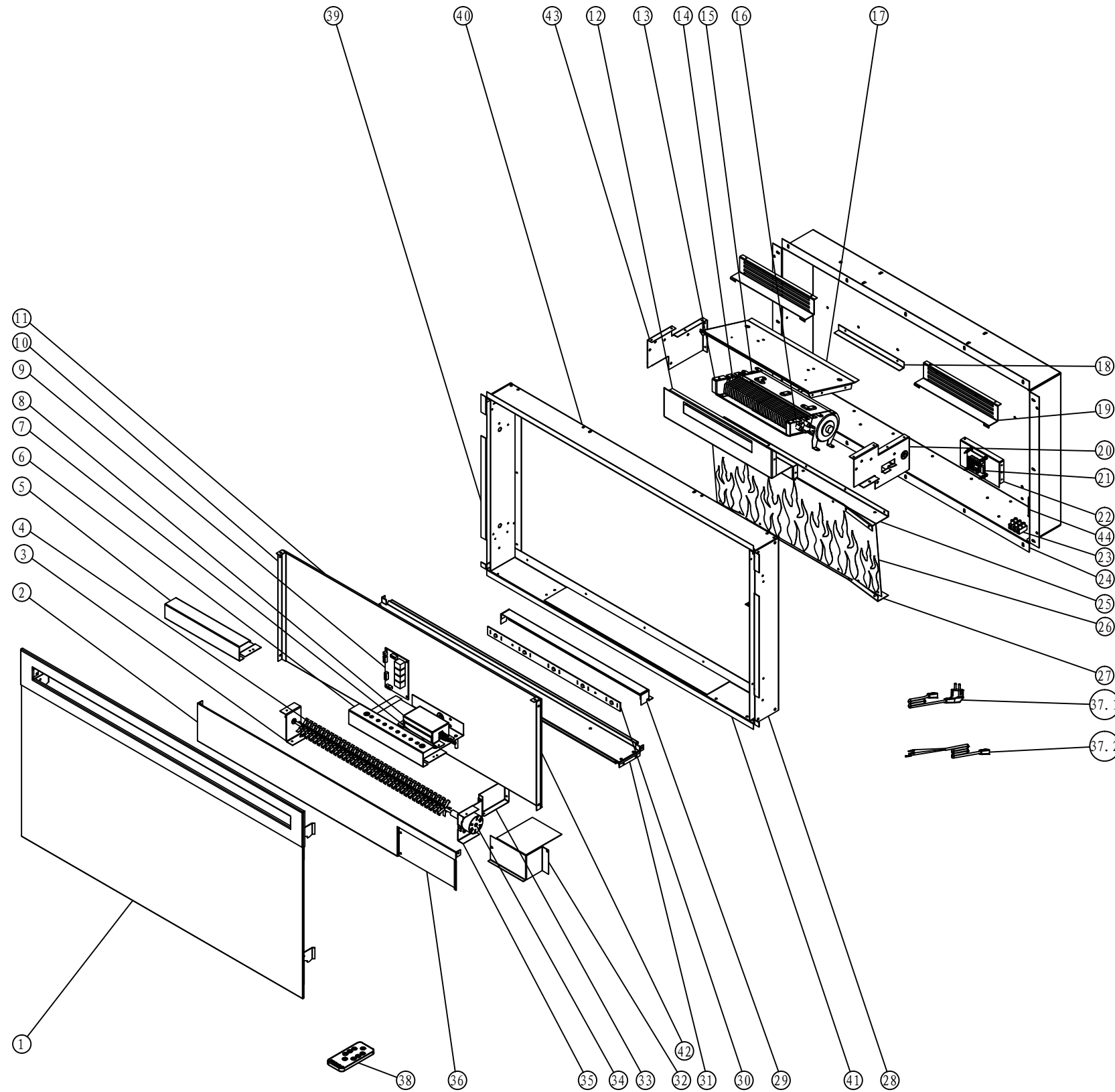


LET标记	ECN文件修改号	BY修改人	DATE日期	REVISION 修改记录
①		陈森科	20180731	change XY power supply TO ETL



44	05.03.047.009	bracket for strain relief	BLF74-AU 线卡固定盒	1
43	05.03.023.031	left blower bracket	BLF34风轮固定左档板	1
42	05.03.018.034	RH mirror bracket	BLF34幕玻右压条	1
41	05.03.020.080	bottom guard	BLF34机芯下横档	1
40	05.03.020.081	upper guard	BLF34机芯上横档	1
39	05.03.015.026	left panel	BLF50机芯左侧板	1
38	03.08.002.022	remote control	BLF5051遥控器	1
37.2	03.21.004.022	power cord	尾插电源线	1
37.1	03.21.002.024	EU power cord	欧式两节电源线	1
36	05.03.023.035	front guard	BLF34机芯前小档板	1
35	05.03.005.379	bracket of flicker motor	BLF3451同步电机支架	1
34	03.01.001.068	flicker motor	AJ65新火焰同步电机(自制)	1
33	05.03.011.064	right shadowing panel	BLF34右遮光板	1
32	05.03.026.039	motor shielding	BLF3451同步电机保护罩	1
31	06.05.001.117	media tray assy	BLF3451EU-E 碳床组	1
30	03.19.001.026	LED strip	BLF5051EU-ECO LED灯板	1
29	05.03.008.043	LED bracket	BLF34 LED固定架	1
28	05.03.015.025	right panel	BLF50机芯右侧板	1
27	05.03.014.014	bottom holder of flame panel	BLF34火焰板下固定条	1
26	08.02.001.068	flame panel	BLF34火焰板	1
25	05.03.014.013	top holder of flame panel	BLF34火焰板上固定条	1
24	05.03.002.090	housings	BLF34壳体	1
23	03.10.004.001	white block	白色接线柱	5节
22	05.03.005.380	display bracket	BLF3451显示板支架	1
21	03.08.006.020	display board	DF2010-EU (ECO) 显示板	1
20	05.03.023.032	right blower bracket	BLF34风轮固定右档板	1
19	05.03.028.004	Into the wind	BLF34进风板	2
18	05.03.005.283	L bracket	BLF34 L形支架 (大)	1
17	05.03.006.090	blower assy bracket	BLF34风轮总成固定板	1
16	05.03.005.279	right Heating assy bracket	BLF34发热体右支架	1
15	07.03.001.014	blower assy	BLF3451-EU风轮电机	1
14	06.03.001.067	Heating	BLF3451-EU发热体	1
13	05.03.005.278	left Heating assy bracket	BLF34发热体左支架	1
12	05.04.028.013	outlet assy	BLF34出风口组	1
11	04.05.001.096	mirror	BLF34幕玻组	1
10	05.03.018.035	LH mirror bracket	BLF34幕玻左压条	1
9	03.08.002.072	relay board	BLF3451-EU (ECO) 主控板	1
8	05.03.001.128	power supply bracket	DF2024L电源板支架	1
7	03.20.002.047	ETL power supply	ETL六级1.5A适配器	1
6	05.03.034.050	switch panel	BLF3451EU-E开关板	1
5	05.03.023.033	decorative strip	BLF34左档板	1
4	08.01.001.045	rotisserie	BLF34反光轮	1
3	05.03.005.378	left brack of rotisserie	BLF3451反光轮左支架	1
2	05.03.023.034	front guard	BLF34机芯前档板	1
1	04.06.001.042	front glass assy	BLF34面玻组	1
ITEM	Part No.	Description	Description	QTY
序号	零件图号	英文名称	零件名称	数量

MATERIAL 材料	浙江富佳佳电子科技有限公司			
THICK 料厚	ZHEJIANG FUERJ ELECTRIC SCIENCE & TECHNOLOGY CO., LTD.			
DRAWN 设计	陈森科20180813	PROCEED FROM	BLF3451EU-E	
CHECKED 审核		初始使用产品		
APPROVED 审批		Part Name	爆炸图	REV. 01
	SIGN 签字/DATE日期	零件名称	版本号	
Scale 比例	N.W. 重量	Drawing No. 图号	208378	1 SHEET/OF 1